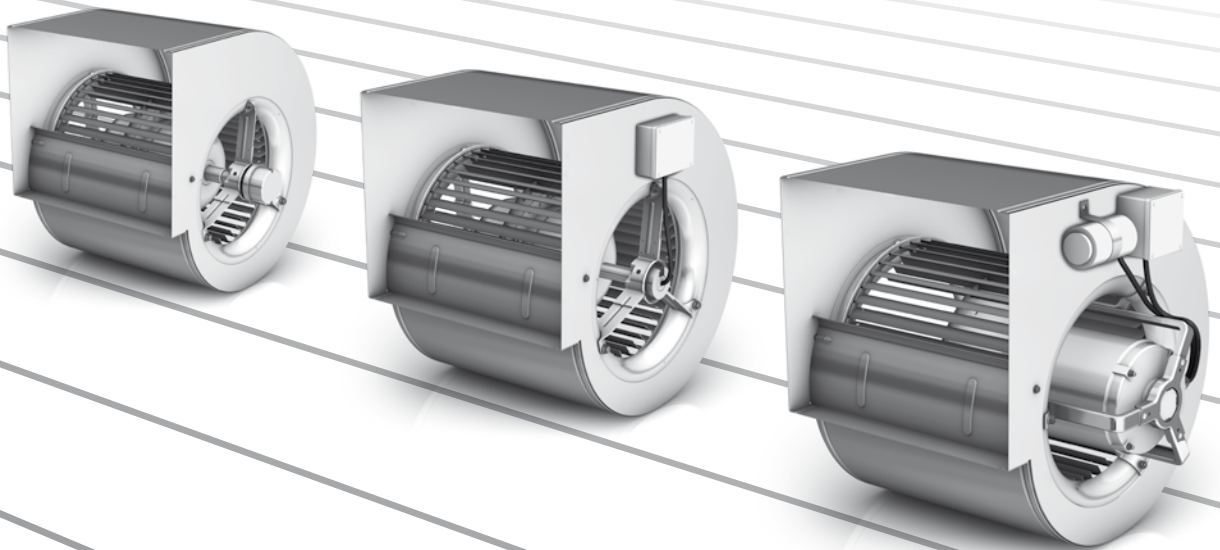


Centrifugal Fans

double inlet with direct drive
forward curved blades

Issue 1.2
June 2012



The overall picture will decide

Depending on the model of the fan, the efficiency grade "N" set in accordance with the ErP Directive must be achieved from 2013 and 2015 respectively.

Efficiency grade "N" to ErP-Directive

Year	Centrifugal fans with backward curved blades			Centrifugal fans with forward curved blades	
	without housing static	with housing static	total	with housing static	total
2013	0.55	0.60	0.55	0.55	0.55
2015	0.60	0.65	0.60	0.60	0.60

The efficiency grade designates a parameter in the calculation of the target energy efficiency of a fan depending on the electric input power when operating at the optimal energy efficiency point. The figure of parameter "N" corresponds to the target energy efficiency with a power of 10 kW.

To make the selection easier for our customers, we offer complete systems as defined by the ErP Directive!

In order to compare the systems, the total efficiency η_e of the fan without speed regulation is considered.

η_e = Total efficiency
 $P_{u(s)}$ = Fan gas power when operating at the optimal energy efficiency point
 P_e = Electric input power when operating at the optimal energy efficiency point

If the system has speed regulation, it will be taken into account with the "part load compensation factor" C_c (see below):

P_{ed} = Input power of speed regulator when operating at the optimal energy efficiency point
 C_c = part load compensation factor

- ▶ without speed regulation: $C_c = 1$
- ▶ with speed regulation $P_{ed} \geq 5$ kW: $C_c = 1.04$
- ▶ with speed regulation $P_{ed} < 5$ kW: $C_c = -0.03 \ln(P_{ed}) + 1.088$

In order to take the speed regulation into account via the part load compensation factor C_c , the following mathematical losses arise in accordance with the formula prescribed by ErP for the following typical motor powers:

- ▶ $P_{ed} = 4.00$ kW: $C_c = 1.05$ (5 %)
- ▶ $P_{ed} = 2.20$ kW: $C_c = 1.06$ (6 %)
- ▶ $P_{ed} = 0.75$ kW: $C_c = 1.10$ (10 %)

Complete systems by Nicotra Gebhardt

Nicotra Gebhardt can supply complete systems in all product categories which meet the ErP requirements. We offer highly efficient fan systems

- ▶ with matching components and "high efficiency drives" – belt and direct drive.
- ▶ with integrated or external control to regulate speed.
- ▶ with IEC standard motors (IE2) or internal rotor motors with brushless DC technology.
- ▶ and with AC external rotor motors or brushless DC external rotor motors.

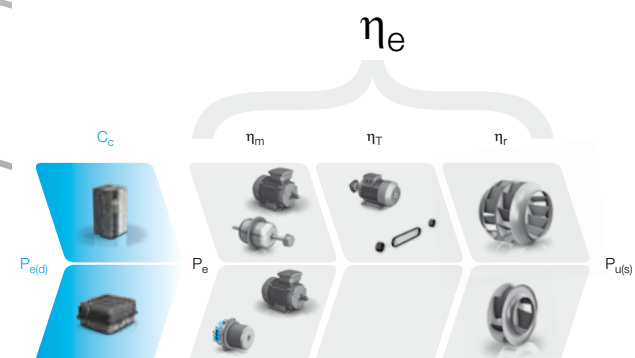
Building blocks for best values

Thanks to the decades-long experience of Nicotra Gebhardt all the components of our fans contribute to their high performance.

Impellers and blades are optimised for turbulence and therefore particularly efficient. An example: With the latest development, the RLM Evo impeller, the free-running centrifugal fans of Nicotra Gebhardt achieve system efficiency grades never reached before.

In addition, the brushless DC drives which Nicotra Gebhardt offers for its direct drive fans improve the system efficiency grades.

The fan technology of Nicotra Gebhardt delivers highly efficient systems for all applications.



proSELECTA II

proSELECTA II is a technical selection program that allows you to configure your own individually designed fan. It provides you with the opportunity to choose from the entire range of fan types and their associated options.



Simple and reliable selection

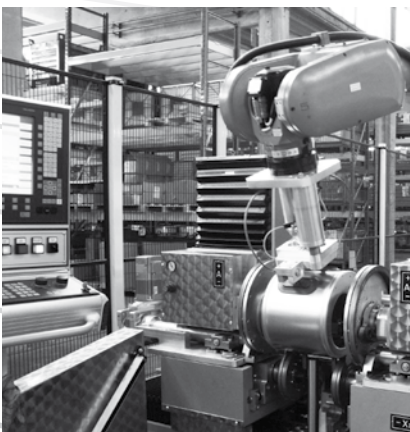
The result from proSELECTA II is the provision of all the technical data for your fan, including sound level data, dimension specifications and accessories. Apart from that, as a registered user, your purchase prices are provided. Additionally fully dimensioned drawings in dxf format are available, which can be downloaded and transferred straight into your CAD system.

So that you can be sure. Models and options that are technically not permissible, are automatically excluded in proSELECTA II. So there is no chance that you will configure a "wrong" device option.

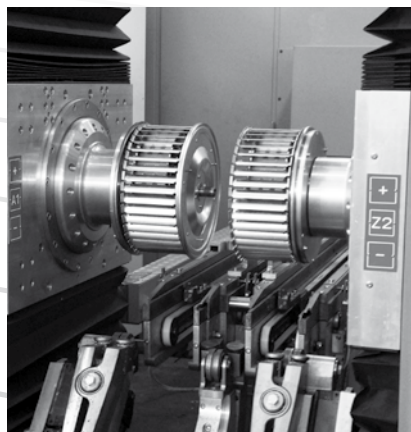
You can register as a proSELECTA II user with us, which enables us to offer you faster order processing. What this means for you is:

- ▶ The complete configuration of your fan with its associated system accessories and belt drive layout.
- ▶ The possibility to produce fans that operate via a frequency inverter.
- ▶ The option of saving your own fan configuration on our server.
- ▶ The opportunity to modify your saved configuration, even over the phone to your Nicotra Gebhardt representative.

Nicotra Gebhardt technologies like ...



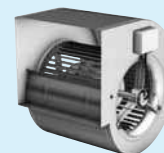
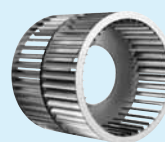
Automated manufacture of compact scroll and impeller with forward curved blades



Own motor production for optimal tuning of motor and fan!

High performance centrifugal fans DDM

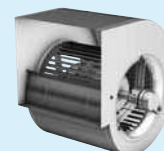
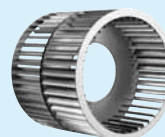
double width, double inlet, (DWDI),
with built-in, optimised external rotor motor,
made of galvanised sheet steel;
available in various models;
Impeller with forward curved blades of galvanised steel plate



DDM

High performance centrifugal fans DDMB

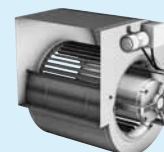
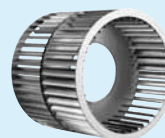
double width, double inlet, (DWDI),
with built-in, brushless DC external rotor motor and external commutation unit,
made of galvanised sheet steel;
available in various models;
Impeller with forward curved blades of galvanised steel plate



DDMB

High performance centrifugal fans DD

double width, double inlet, (DWDI),
built-in, optimised internal rotor motor,
made of galvanised sheet steel;
available in various models;
Impeller with forward curved blades of galvanised steel plate



DD

Fittings / Accessories

- ▶ complete system accessories
- ▶ fittings and options



Fittings
Accessories

Technical Description

- ▶ Descriptions
- ▶ Operating limits
- ▶ Notes



Technical
Description

The best fan for your application!

DDM range – direct driven fans



Direct driven centrifugal fans of DDM range with forward curved impeller directly mounted on the external rotor motor are the ideal solution for your applications in the HVAC business.

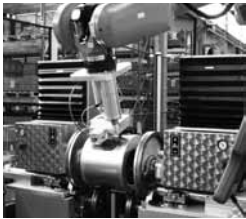
The fact of manufacturing by ourselves each fan component – the casing, the impeller and motor – enables us to create fans that perfectly meet the requirements of high performances and low power consumptions.

The wide range of different versions and motor types allows you to find the fan exactly matching what you really need.

You anyway get the generally recognized advantages of the direct drive technology :

- ▶ **Maintenance free**
- ▶ **No transmission losses**
- ▶ **Long fan life time**
- ▶ **High reliability**
- ▶ **Low operating costs**

And, more, all the additional product advantages of the DDM range are at your fingertips!



Compact casing

Aerodynamically optimized in terms of both airflow and design, scrolls are made of galvanized steel and automatically assembled using an innovative procedure, providing a sturdy and long-lasting product.

- ▶ **without welding points for no corrosion troubles**
- ▶ **high precision manufacturing process for high quality product**



Real forward curved impeller

The impeller has been optimized for the best efficiency, match to the special motor features.

We manufacture the high performance impellers through a highly – automated and innovative production process.

- ▶ **low noise level**
- ▶ **low power consumption**



Optimized external rotor motor

The fan impeller is directly mounted on the motor thus providing efficient motor cooling by the fan airflow.

Motor speed can be adjusted either by the use of transformers and TRIAC regulators. Motors are generally fitted with thermal protector for protection against overheating.

- ▶ **high reliability and efficiency**
- ▶ **wide range of operative conditions**



Vibration isolation

The vibration isolation pads of the motor shaft ensures a very low noise during fan operation and no transmission of noise and vibrations to the other parts of the fan, making installation more quiet and comfortable.

- ▶ **low noise level**
- ▶ **no noise and vibrations transmitted to the surrounding structures**



Easy electrical connection

All fans could be provided with connection box, terminal block or loose cable. A wiring diagram sticker, placed on each fan, describes the correct electrical connection.

- ▶ **fast and easy wiring**
- ▶ **safe operation**

DDM range





This kind of fans are specially conceived for use in dust-free environments, at temperatures up to +40 °C, or higher on selected models.

The performance data have been obtained in a laboratory registered by AMCA for AMCA 210/99 air performance testing. Data are not certified by AMCA.

The variety of DDM

We have the right fan for all your application!
Many different sizes, versions and motor types are available in the DDM range.

- ▶ Impeller size (width and diameter) up to 15"
- ▶ Speed variation either by step-transformers or stepless
- ▶ External rotor motor with integrated thermal protector
- ▶ Fan models suitable for 60 Hz supply are available
- ▶ Air Flow up to 12,000 m³/h
- ▶ Static pressure up to 800 Pa

Version	Description	Figure
DDM	Lap-jointed scroll made from galvanized steel and forward curved blades impeller directly mounted on an external rotor motor.	
+SCT	with terminal box mounted	
+FL	with discharge flange mounted	
+SB	with housing feet either mounted or loose	

DDM 120/126

7725F9 1F 2P 2V

Technical Data

DDM 120/126 7725F9	Speed control	Curves	Nominal motor power W	Poles	Phases	Connection	Mains frequency Hz	Max. power consumption W	Max. current consumption A	Speed 1/min
1F 2P 2V	*	[A1/A2]	45	2	1~		50/60	113	0.5	2400

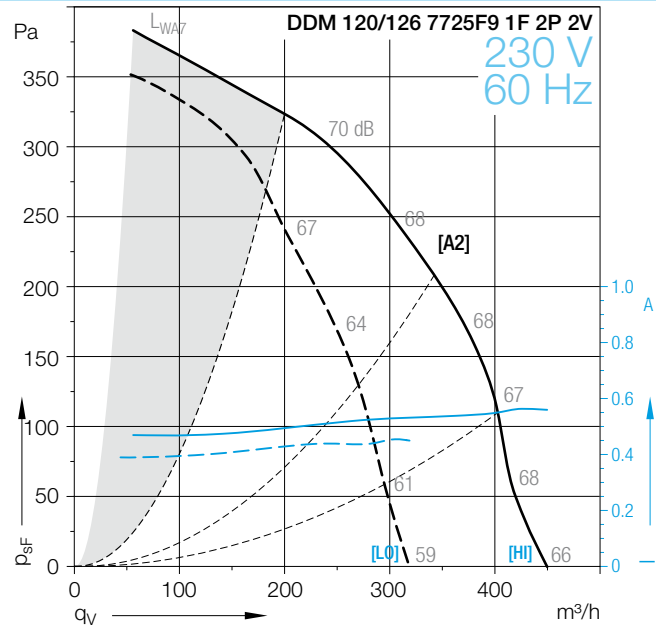
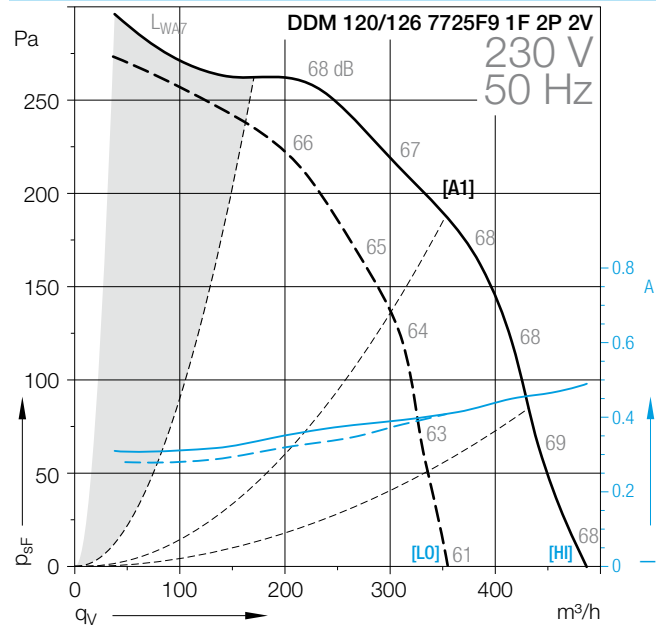
Technical Data

DDM 120/126 7725F9	Operating Capacitor μF	Nominal capacitor voltage V	Motor protection class	Motor thermal class	Thermal protection	Media Temperature max. $^{\circ}\text{C}$	Fan weight kg	Density of media kg/m^3	Installation type (ISO 5801)	Article number
1F 2P 2V	3.15	450	IP32	B	EXT	40	5	1.2	B	6M02010

(1) = Speed controllable via Transformer
 (2) = Speed controllable via TRIAC or Transformer
 (3) = Speed controllable via Inverter
 * = No speed control available
 [HI] High speed, [ME] Medium speed, [LO] Low speed

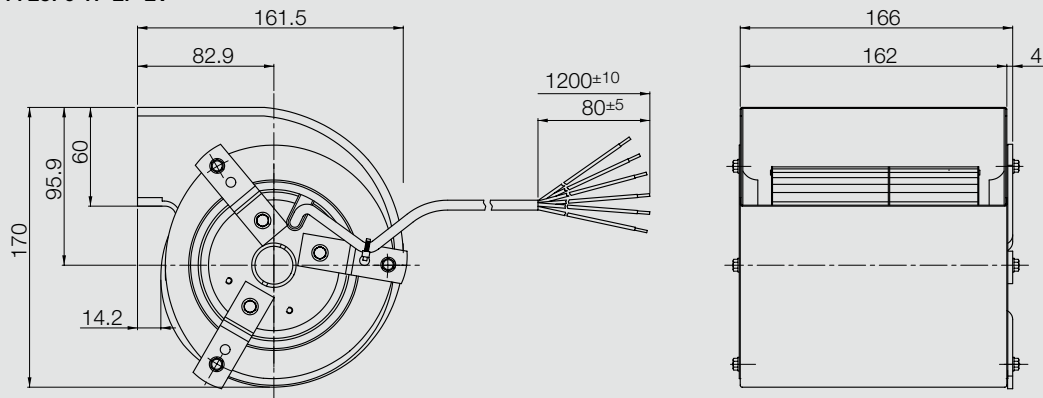
Attention! We suggest to do not use the fan in the grey marked area! The noise ratings given in the performance curves are sound power level L_{WA7} , see „Technical Description“.

Curves



Dimensions in mm, Subject to change.

DDM 120/127 7725F9 1F 2P 2V



DDM 133/126

7725F7 1F 2P 4V +FL

Technical Data

DDM 133/126 7725F7	Speed control	Curves	Nominal motor power W	Poles -	Phases	Connection	Mains frequency Hz	Max. power consumption W	Max. current consumption A	Speed 1/min
1F 2P 4V +FL	*	[B1/B2]	60	2	1~		50/60	170	0.7	2500

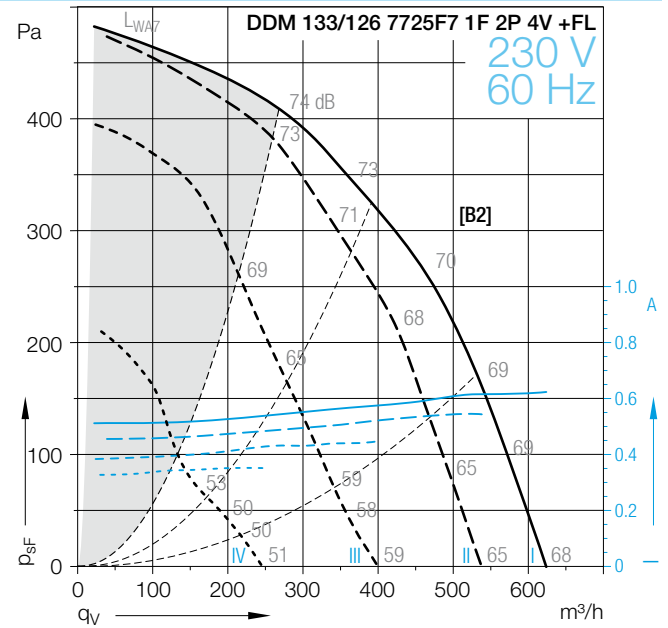
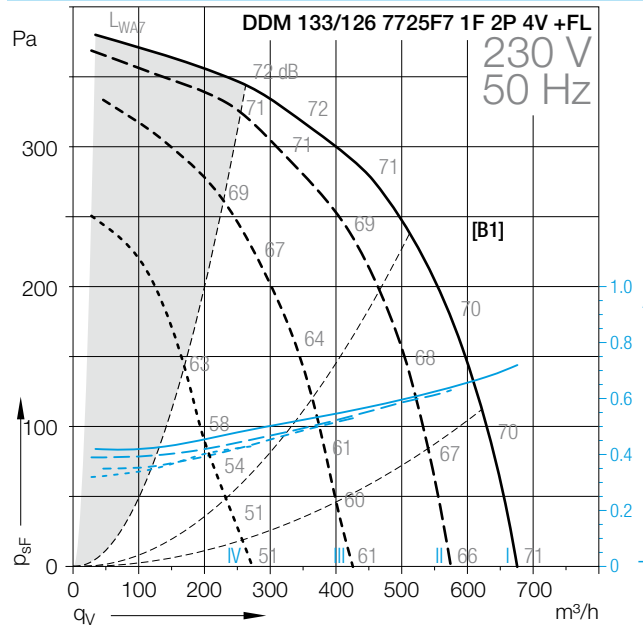
Technical Data

DDM 133/126 7725F7	Operating Capacitor µF	Nominal capacitor voltage V	Motor protection class	Motor thermal class	Thermal protection	Media Temperature max. °C	Fan weight kg	Density of media kg/m³	Installation type (ISO 5801)	Article number
1F 2P 4V +FL	4	450	IP32	B	INT	40	5	1.2	B	6M02097

(1) = Speed controllable via Transformer
 (2) = Speed controllable via TRIAC or Transformer
 (3) = Speed controllable via Inverter
 * = No speed control available
 [HI] High speed, [ME] Medium speed, [LO] Low speed

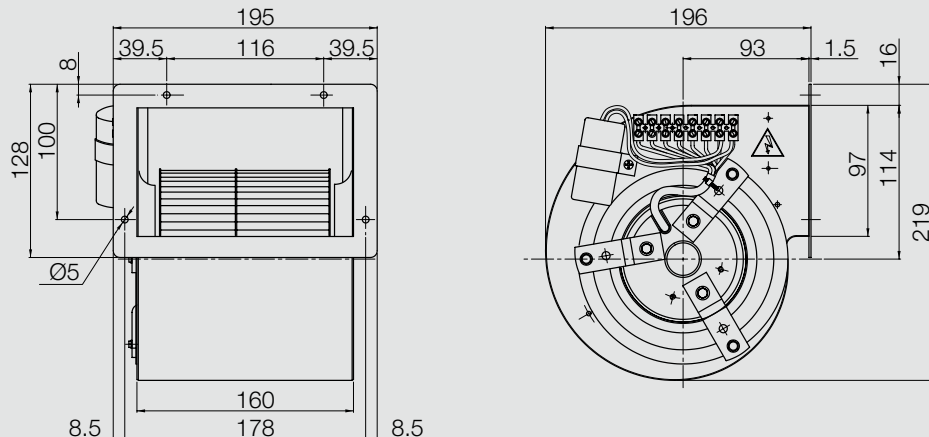
Attention! We suggest to do not use the fan in the grey marked area! The noise ratings given in the performance curves are sound power level L_{WA7} , see „Technical Description“.

Curves



Dimensions in mm, Subject to change.

DDM 133/127 7725F7 1F 2P 4V +FL



DDM 133/190

7725A6 1F 2P 1V +FL

Technical Data

DDM 133/190 7725A6	Speed control	Curves	Nominal motor power W	Poles	Phases	Connection	Mains frequency Hz	Max. power consumption W	Max. current consumption A	Speed 1/min
1F 2P 1V +FL	(2)	[C1/C2]	90	2	1~		50/60	202	0.9	2350

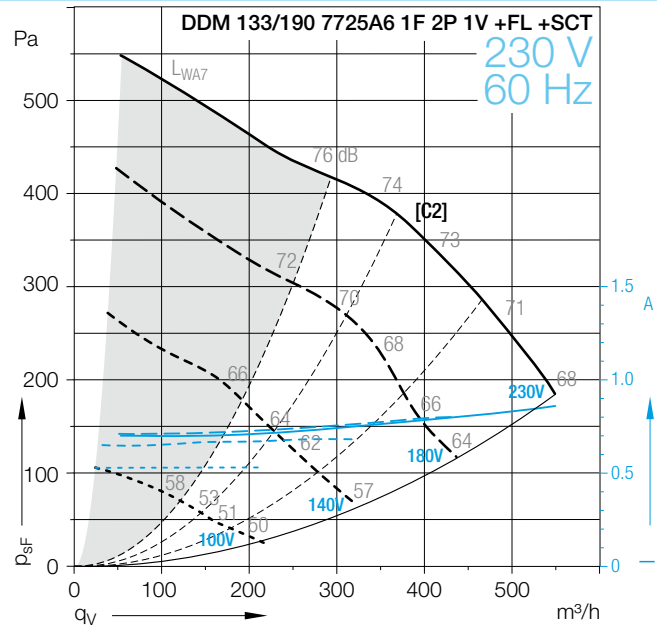
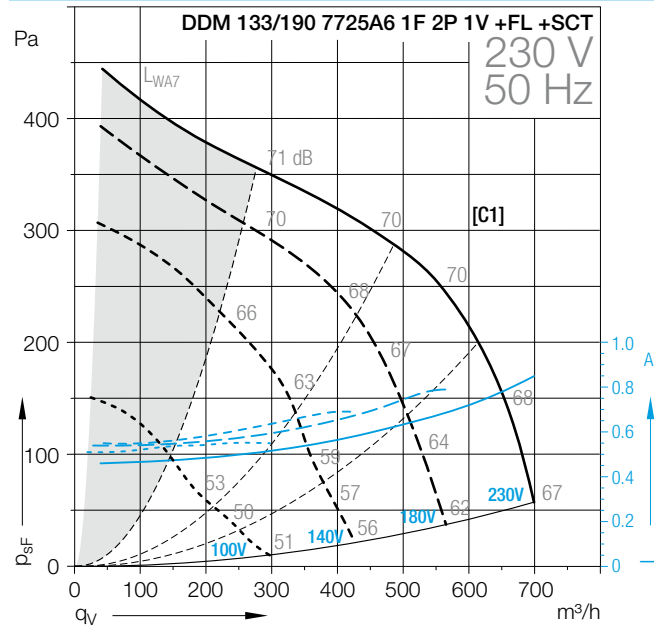
Technical Data

DDM 133/190 7725A6	Operating Capacitor μF	Nominal capacitor voltage V	Motor protection class	Motor thermal class	Thermal protection	Media Temperature max. $^{\circ}\text{C}$	Fan weight kg	Density of media kg/m^3	Installation type (ISO 5801)	Article number
1F 2P 1V +FL	4	450	IP54	F	INT	40	4	1.2	B	6102LT

(1) = Speed controllable via Transformer
 (2) = Speed controllable via TRIAC or Transformer
 (3) = Speed controllable via Inverter
 * = No speed control available
 [HI] High speed, [ME] Medium speed, [LO] Low speed

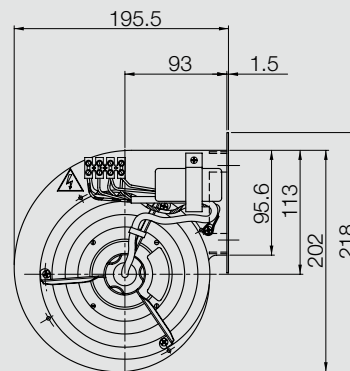
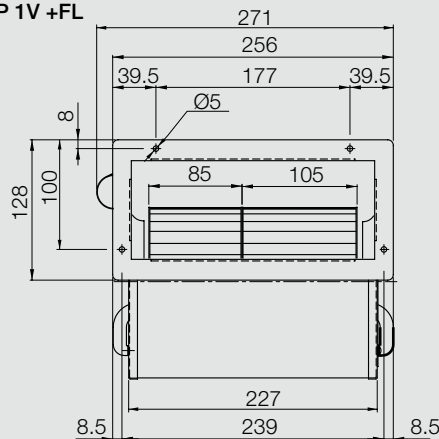
Attention! We suggest to do not use the fan in the grey marked area! The noise ratings given in the performance curves are sound power level L_{WA7} , see „Technical Description“.

Curves



Dimensions in mm, Subject to change.

DDM 133/190 7725A6 1F 2P 1V +FL



DDM 133/190

7725C0 1F 2P 1V +FL

Technical Data

	Speed control	Curves	Nominal motor power W	Poles -	Phases	Connection	Mains frequency Hz	Max. power consumption W	Max. current consumption A	Speed 1/min
DDM 133/190 7725C0										
1F 2P 1V +FL	(2)	[C3/C4]	90	2	1~		50/60	226	1	2300

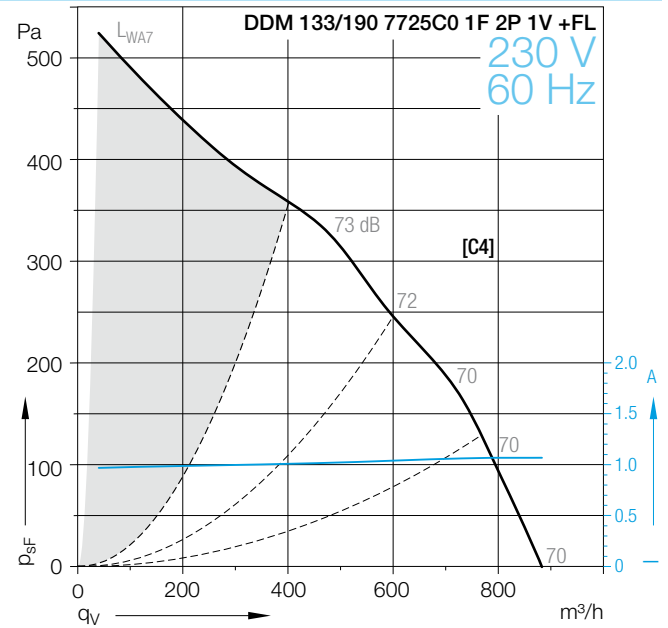
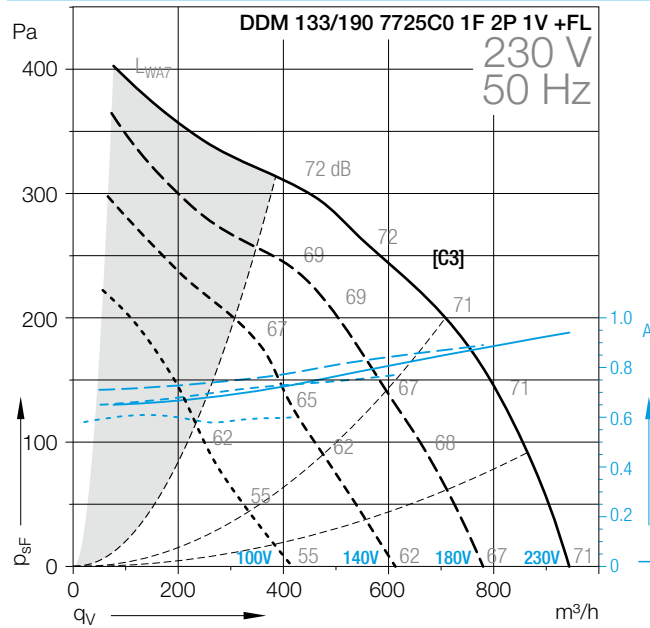
Technical Data

	Operating Capacitor µF	Nominal capacitor voltage V	Motor protection class	Motor thermal class	Thermal protection	Media Temperature max. °C	Fan weight kg	Density of media kg/m³	Installation type (ISO 5801)	Article number
DDM 133/190 7725C0										
1F 2P 1V +FL	6.3	450	IP32	B	EXT	40	5	1.2	B	6102FW

(1) = Speed controllable via Transformer
 (2) = Speed controllable via TRIAC or Transformer
 (3) = Speed controllable via Inverter
 * = No speed control available
 [H] High speed, [ME] Medium speed, [LO] Low speed

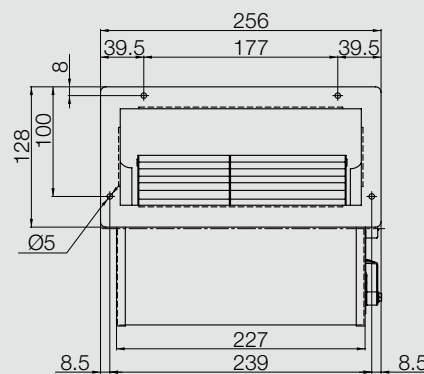
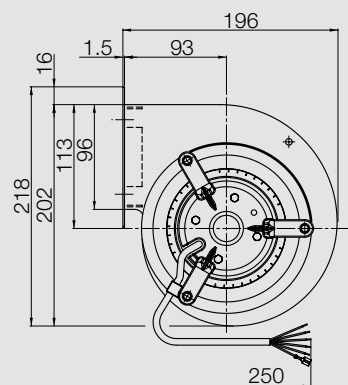
Attention! We suggest to do not use the fan in the grey marked area! The noise ratings given in the performance curves are sound power level L_{WA7} , see „Technical Description“.

Curves



Dimensions in mm, Subject to change.

DDM 133/190 7725C0 1F 2P 1V +FL



DDM 133/190

7725C6 1F 2P 4V +FL

Technical Data

DDM 133/190 7725C6	Speed control	Curves	Nominal motor power W	Poles	Phases	Connection	Mains frequency Hz	Max. power consumption W	Max. current consumption A	Speed 1/min
1F 2P 4V +FL	*	[C5/C6]	60	2	1~		50/60	175	0.7	2500

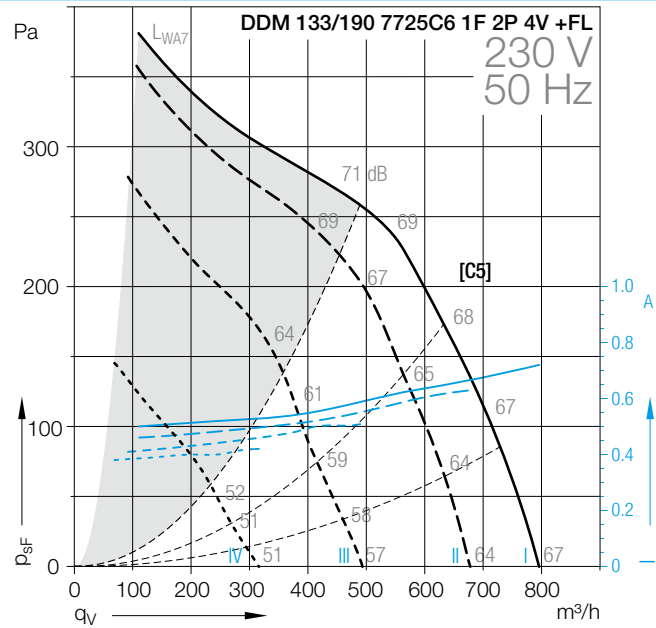
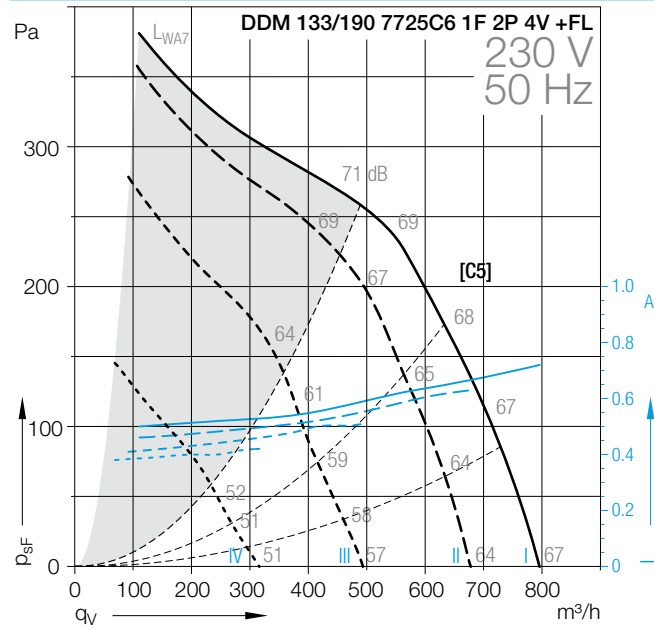
Technical Data

DDM 133/190 7725C6	Operating Capacitor μF	Nominal capacitor voltage V	Motor protection class	Motor thermal class	Thermal protection	Media Temperature max. $^{\circ}\text{C}$	Fan weight kg	Density of media kg/m^3	Installation type (ISO 5801)	Article number
1F 2P 4V +FL	4	450	IP32	B	EXT	40	5	1.2	B	6102YC

(1) = Speed controllable via Transformer
 (2) = Speed controllable via TRIAC or Transformer
 (3) = Speed controllable via Inverter
 * = No speed control available
 [HI] High speed, [ME] Medium speed, [LO] Low speed

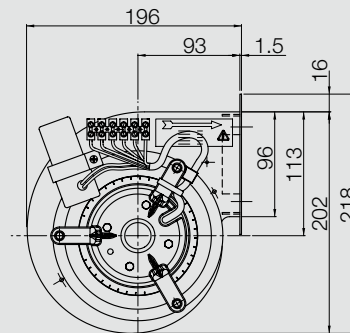
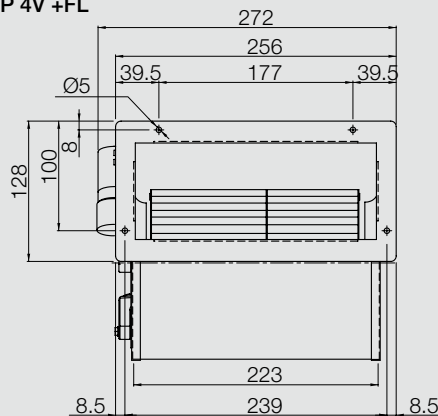
Attention! We suggest to do not use the fan in the grey marked area! The noise ratings given in the performance curves are sound power level L_{WA7} , see „Technical Description“.

Curves



Dimensions in mm, Subject to change.

DDM 133/190 7725C6 1F 2P 4V +FL



DDM 146/190

7725A8 1F 2P 1V +FL

Technical Data

DDM 146/190 7725A8	Speed control	Curves	Nominal motor power W	Poles -	Phases	Connection	Mains frequency Hz	Max. power consumption W	Max. current consumption A	Speed 1/min
1F 2P 1V +FL	(2)	[D1]	110	2	1~		50	274	1.1	2400

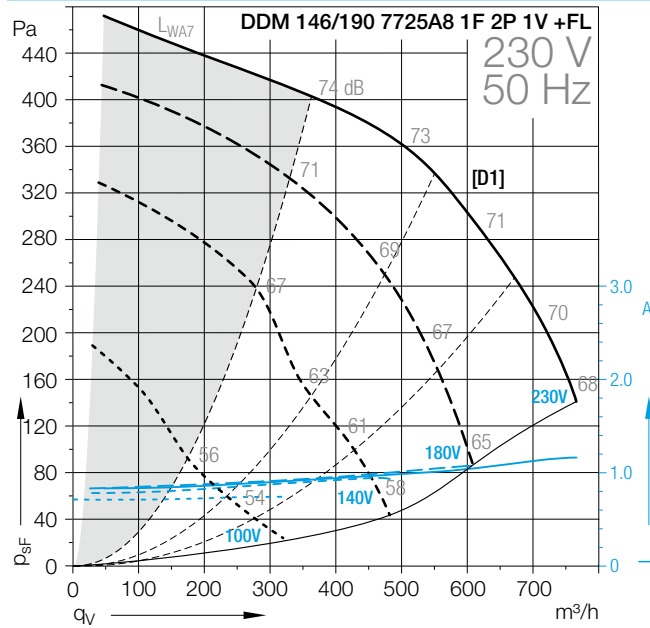
Technical Data

DDM 146/190 7725A8	Operating Capacitor µF	Nominal capacitor voltage V	Motor protection class	Motor thermal class	Thermal protection	Media Temperature max. °C	Fan weight kg	Density of media kg/m³	Installation type (ISO 5801)	Article number
1F 2P 1V +FL	5	450	IP54	F	INT	40	5	1.2	B	6102AZ

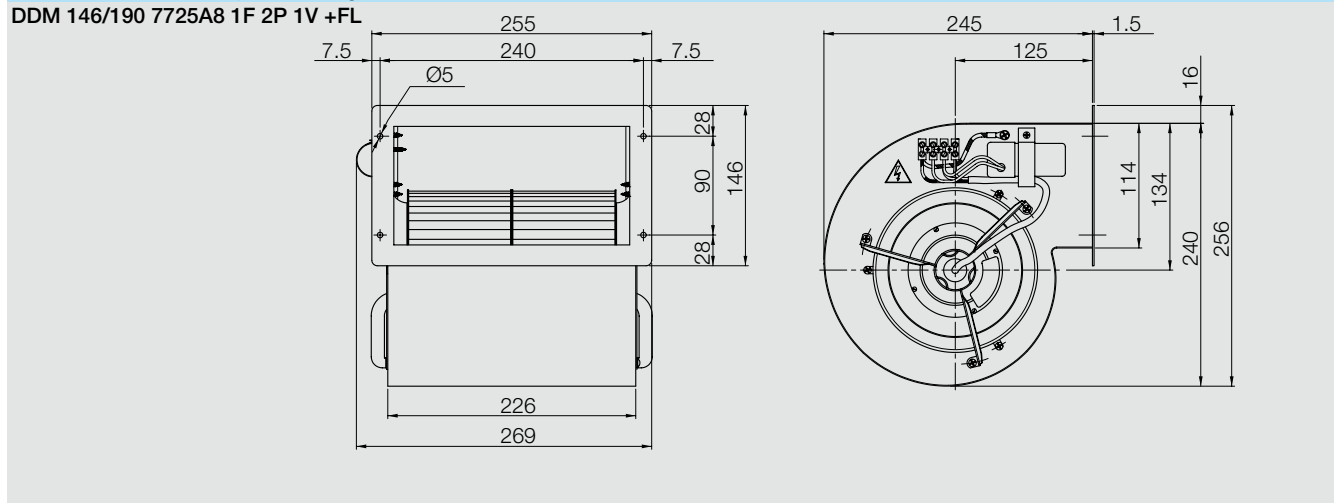
(1) = Speed controllable via Transformer
 (2) = Speed controllable via TRIAC or Transformer
 (3) = Speed controllable via Inverter
 * = No speed control available
 [H] High speed, [ME] Medium speed, [LO] Low speed

Attention! We suggest to do not use the fan in the grey marked area! The noise ratings given in the performance curves are sound power level L_{WA7} , see „Technical Description“.

Curves



Dimensions in mm, Subject to change.



DDM 146/190

7725C2 1F 2P 1V +FL

Technical Data

DDM 146/190 7725C2	Speed control	Curves	Nominal motor power W	Poles	Phases	Connection	Mains frequency Hz	Max. power consumption W	Max. current consumption A	Speed 1/min
1F 2P 1V +FL	(1)	[D3/D4]	160	2	1~		50/60	326	1.4	2200

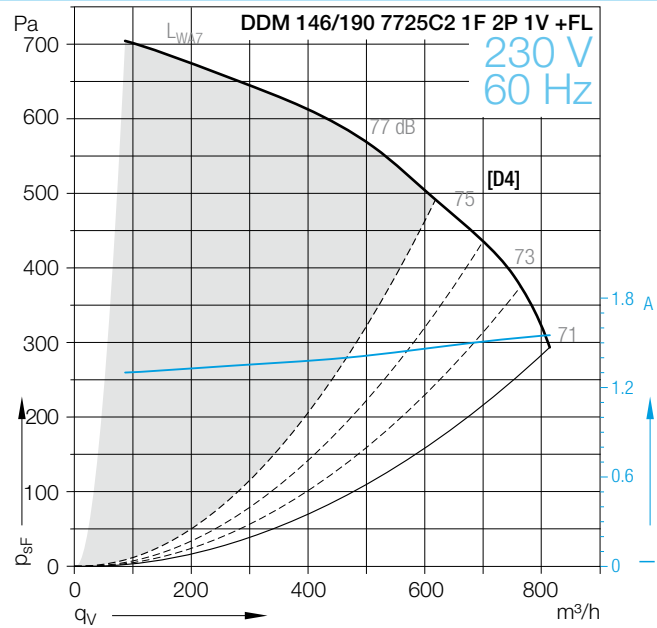
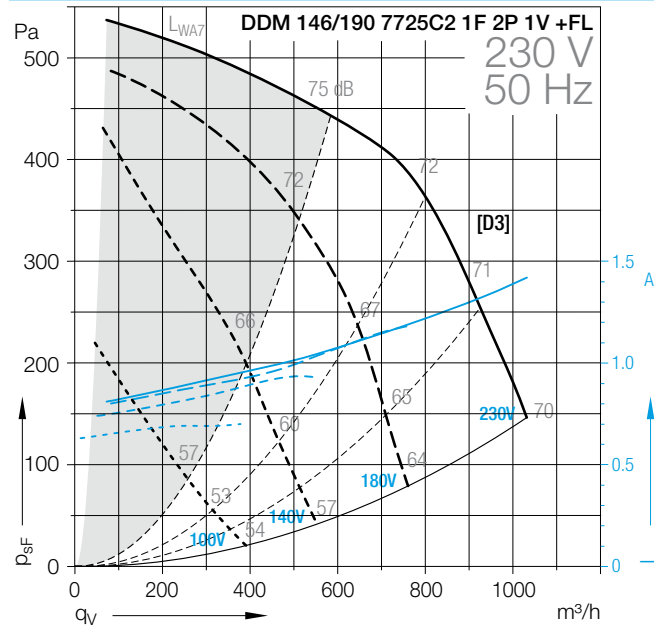
Technical Data

DDM 146/190 7725C2	Operating Capacitor μF	Nominal capacitor voltage V	Motor protection class	Motor thermal class	Thermal protection	Media Temperature max. $^{\circ}\text{C}$	Fan weight kg	Density of media kg/m^3	Installation type (ISO 5801)	Article number
1F 2P 1V +FL	10	450	IP32	F	EXT	40	7	1.2	B	6102YU

(1) = Speed controllable via Transformer
 (2) = Speed controllable via TRIAC or Transformer
 (3) = Speed controllable via Inverter
 * = No speed control available
 [HI] High speed, [ME] Medium speed, [LO] Low speed

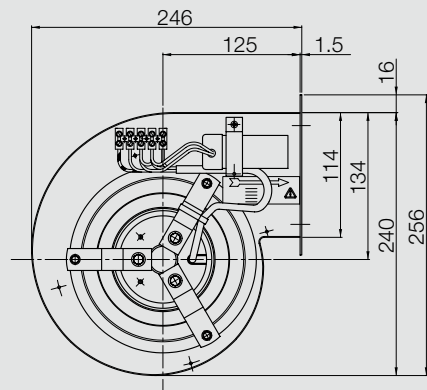
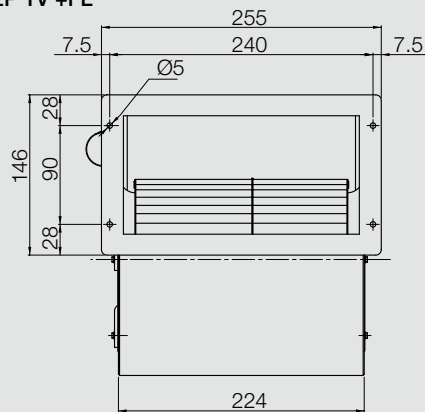
Attention! We suggest to do not use the fan in the grey marked area! The noise ratings given in the performance curves are sound power level L_{WA7} , see „Technical Description“.

Curves



Dimensions in mm, Subject to change.

DDM 146/190 7725C2 1F 2P 1V +FL



DDM 146/190

7725C5 1F 4P 1V +FL

Technical Data

DDM 146/190 7725C5	Speed control	Curves	Nominal motor power W	Poles -	Phases	Connection	Mains frequency Hz	Max. power consumption W	Max. current consumption A	Speed 1/min
1F 4P 1V +FL	(2)	[D5/D6]	20	4	1~		50/60	84	0.4	1300

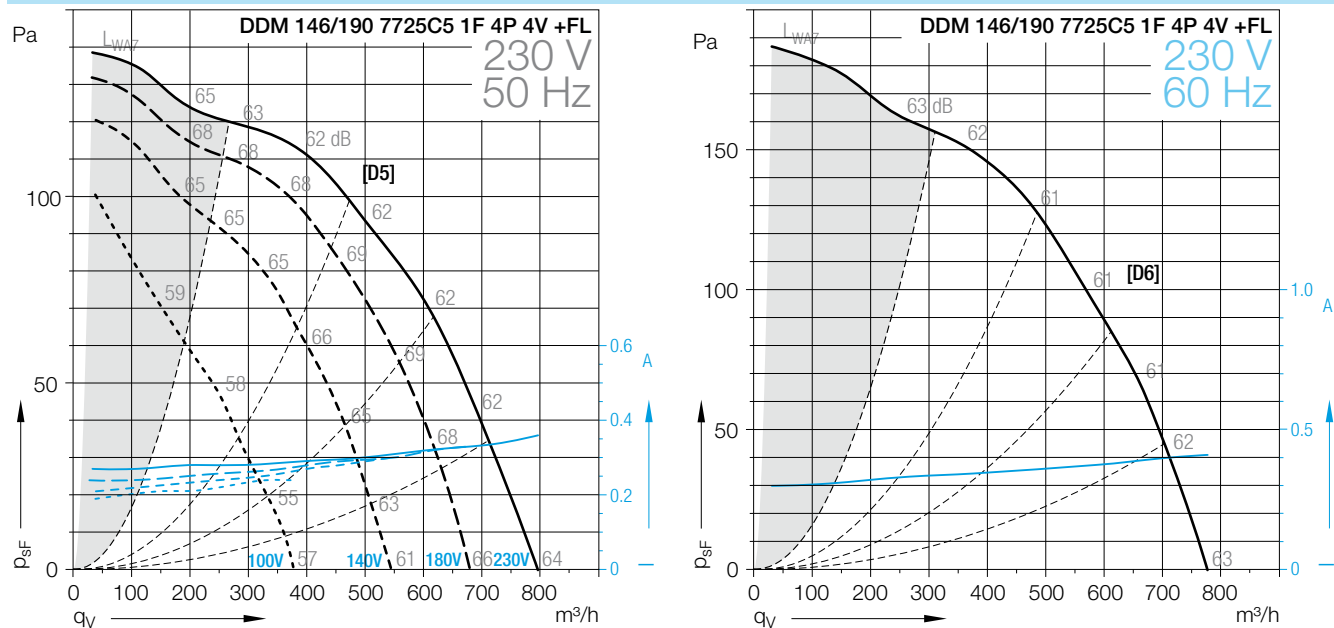
Technical Data

DDM 146/190 7725C5	Operating Capacitor µF	Nominal capacitor voltage V	Motor protection class	Motor thermal class	Thermal protection	Media Temperature max. °C	Fan weight kg	Density of media kg/m³	Installation type (ISO 5801)	Article number
1F 4P 1V +FL	2	450	IP32	B	INT	50	7	1.2	B	6102MH

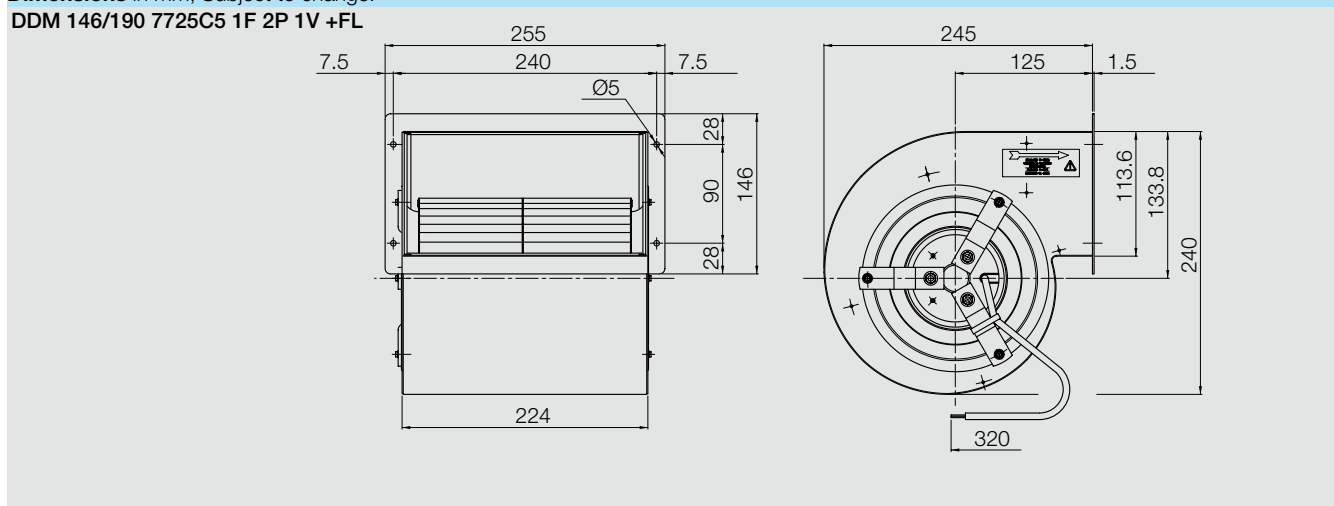
(1) = Speed controllable via Transformer
 (2) = Speed controllable via TRIAC or Transformer
 (3) = Speed controllable via Inverter
 * = No speed control available
 [H] High speed, [ME] Medium speed, [LO] Low speed

Attention! We suggest to do not use the fan in the grey marked area! The noise ratings given in the performance curves are sound power level L_{WA7} , see „Technical Description“.

Curves



Dimensions in mm, Subject to change.



DDM 225/240

E6G3304 1F 4P 1V +FL +SCT SP

Technical Data

	Speed control	Curves	Nominal motor power W	Poles -	Phases	Connection	Mains frequency Hz	Max. power consumption W	Max. current consumption A	Speed 1/min
DDM 225/240 E6G3304										
1F 4P 1V +FL +SCT SP	(2)	[E1/E2]	300	4	1~		50/60	633	2.6	1260

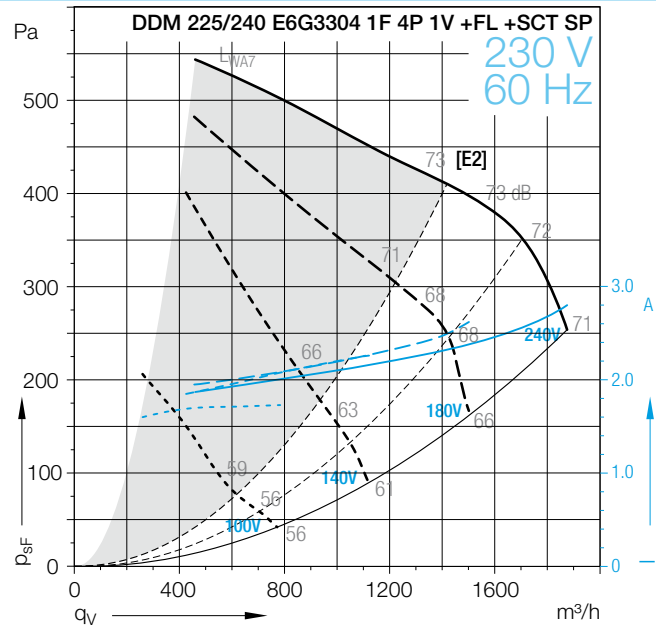
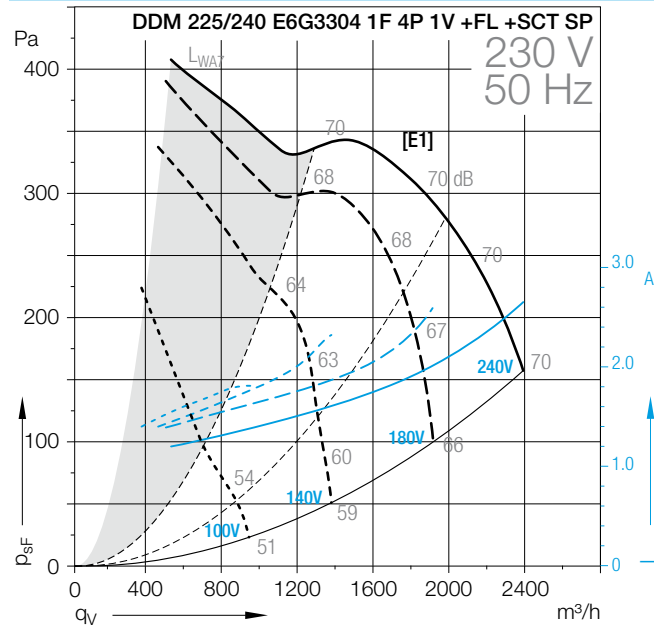
Technical Data

	Operating Capacitor μF	Nominal capacitor voltage V	Motor protection class	Motor thermal class	Thermal protection	Media Temperature max. $^{\circ}\text{C}$	Fan weight kg	Density of media kg/m^3	Installation type (ISO 5801)	Article number
DDM 225/240 E6G3304										
1F 4P 1V +FL +SCT SP	10	450	IP55	F	EXT	40	14	1.2	B	6102CT

- (1) = Speed controllable via Transformer
- (2) = Speed controllable via TRIAC or Transformer
- (3) = Speed controllable via Inverter
- * = No speed control available
- [HI] High speed, [ME] Medium speed, [LO] Low speed

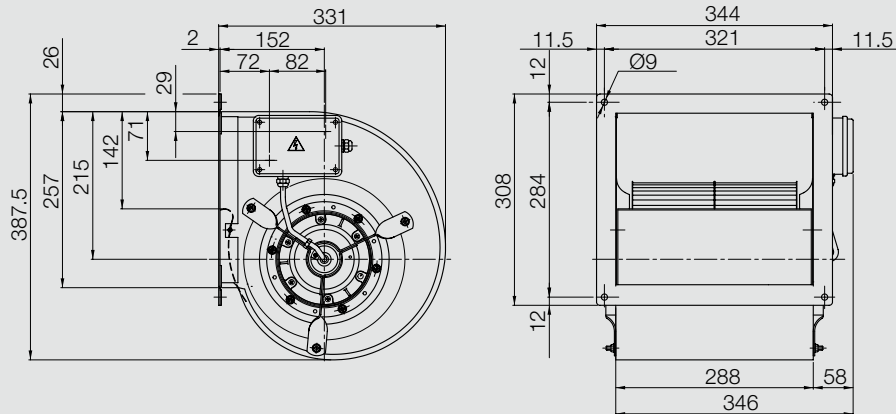
Attention! We suggest to do not use the fan in the grey marked area! The noise ratings given in the performance curves are sound power level L_{WA7} , see „Technical Description“.

Curves



Dimensions in mm, Subject to change.

DDM 225/240 E6G3304 1F 4P 1V +FL +SCT SP



DDM 225/240

E6G3405 1F 4P 1V +FL +SCT

Technical Data

	Speed control	Curves	Nominal motor power W	Poles -	Phases	Connection	Mains frequency Hz	Max. power consumption W	Max. current consumption A	Speed 1/min
DDM 225/240 E6G3405										
1F 4P 1V +FL +SCT	(2)	[E3/E4]	420	4	1~		50	910	3.9	1320

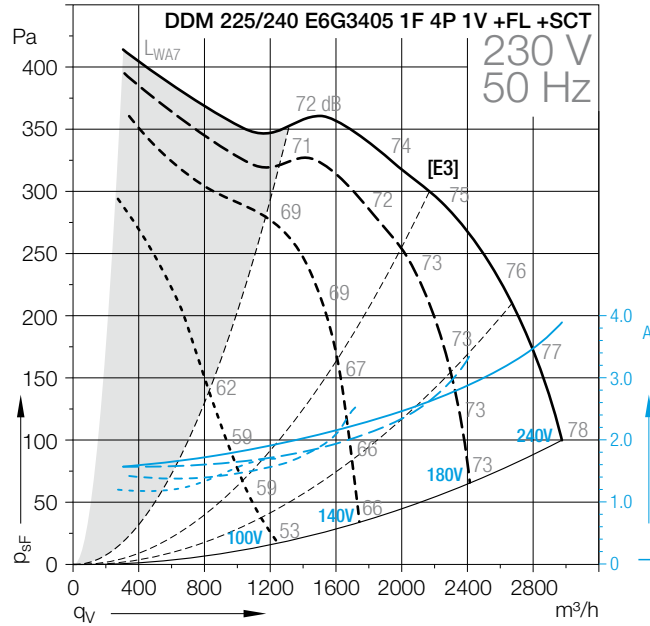
Technical Data

	Operating Capacitor µF	Nominal capacitor voltage V	Motor protection class	Motor thermal class	Thermal protection	Media Temperature max. °C	Fan weight kg	Density of media kg/m³	Installation type (ISO 5801)	Article number
DDM 225/240 E6G3405										
1F 4P 1V +FL +SCT	16	450	IP55	F	EXT	40	14	1.2	B	6M02120

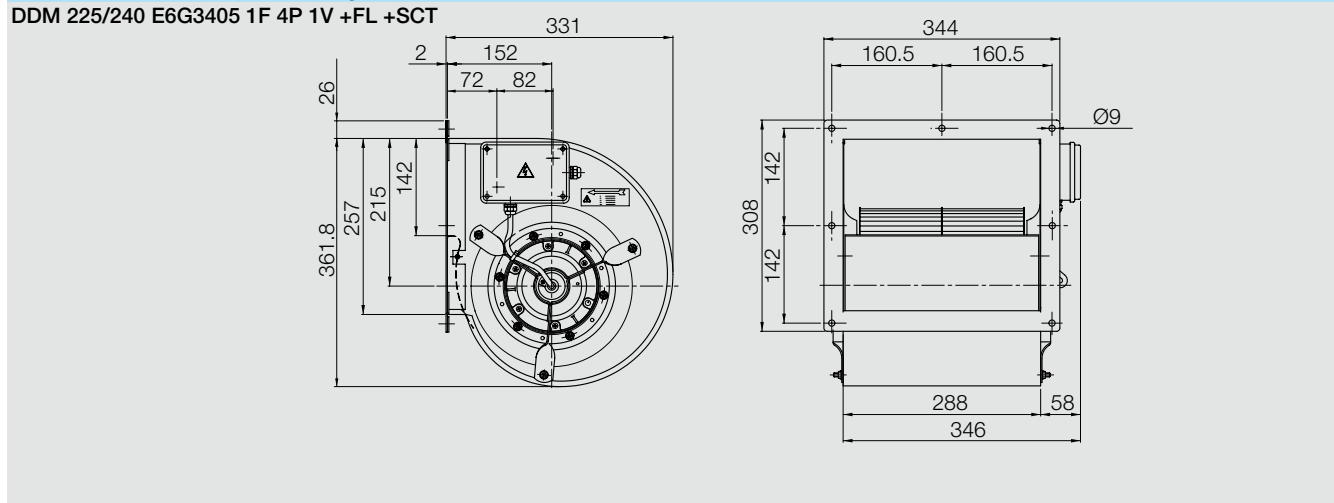
(1) = Speed controllable via Transformer
 (2) = Speed controllable via TRIAC or Transformer
 (3) = Speed controllable via Inverter
 * = No speed control available
 [H] High speed, [ME] Medium speed, [LO] Low speed

Attention! We suggest to do not use the fan in the grey marked area! The noise ratings given in the performance curves are sound power level L_{WA7} , see „Technical Description“.

Curves



Dimensions in mm, Subject to change.



DDM 280/204

E6G3704 1F 4P 1V +SCT

Technical Data

DDM 280/204 E6G3704	Speed control	Curves	Nominal motor power W	Poles	Phases	Connection	Mains frequency Hz	Max. power consumption W	Max. current consumption A	Speed 1/min
1F 4P 1V +SCT	(2)	[F1]	600	4	1~		50	1603	6.9	1380

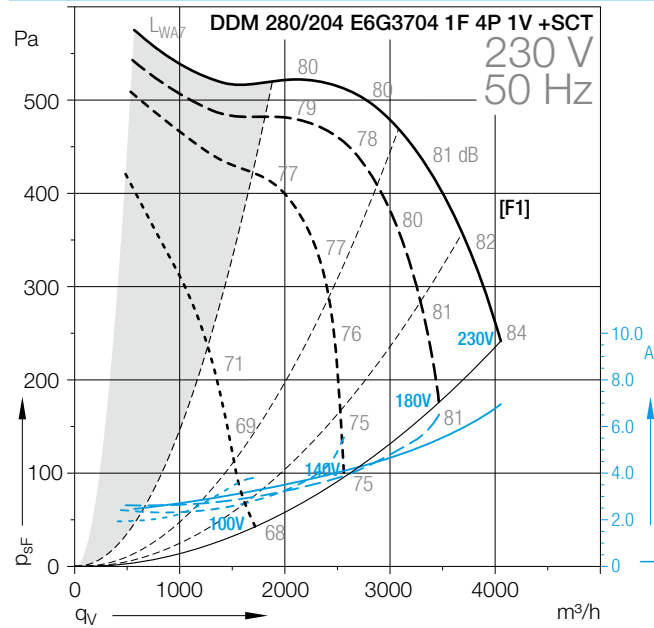
Technical Data

DDM 280/204 E6G3704	Operating Capacitor μF	Nominal capacitor voltage V	Motor protection class	Motor thermal class	Thermal protection	Media Temperature max. $^{\circ}\text{C}$	Fan weight kg	Density of media kg/m^3	Installation type (ISO 5801)	Article number
1F 4P 1V +SCT	25	450	IP55	F	EXT	40	23	1.2	B	6102XE

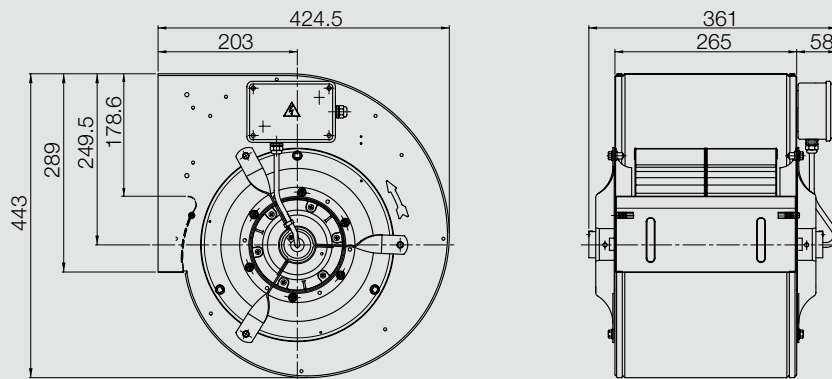
(1) = Speed controllable via Transformer
 (2) = Speed controllable via TRIAC or Transformer
 (3) = Speed controllable via Inverter
 * = No speed control available
 [HI] High speed, [ME] Medium speed, [LO] Low speed

Attention! We suggest to do not use the fan in the grey marked area! The noise ratings given in the performance curves are sound power level L_{WA7} , see „Technical Description“.

Curves



Dimensions in mm, Subject to change.
 DDM 280/204 E6G3704 1F 4P 1V +SCT



DDM 280/204

E6G3706 1F 4P 1V +SCT

Technical Data

DDM 280/204 E6G3706	Speed control	Curves	Nominal motor power W	Poles -	Phases	Connection	Mains frequency Hz	Max. power consumption W	Max. current consumption A	Speed 1/min
1F 4P 1V +SCT	(1)	[F3]	750	4	3~	Δ/Y	50	1924	3.1	1370

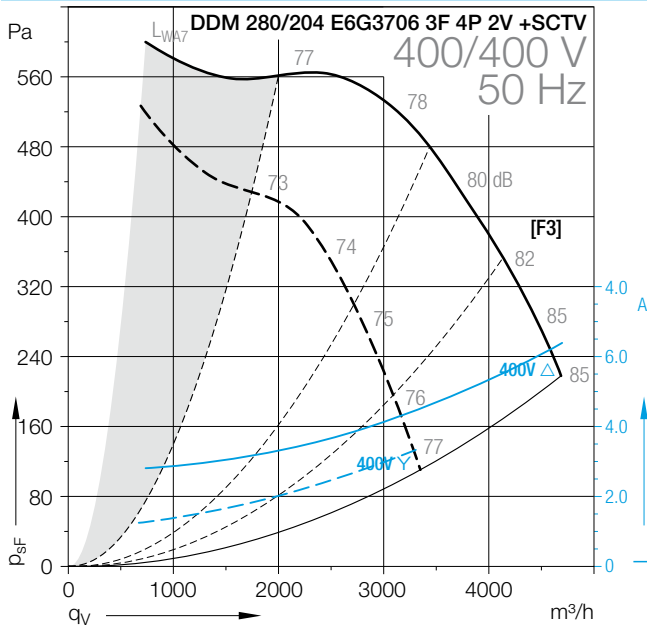
Technical Data

DDM 280/204 E6G3706	Operating Capacitor μF	Nominal capacitor voltage V	Motor protection class	Motor thermal class	Thermal protection	Media Temperature max. °C	Fan weight kg	Density of media kg/m³	Installation type (ISO 5801)	Article number
1F 4P 1V +SCT			IP55	F	EXT	40	23	1.2	B	6M02121

(1) = Speed controllable via Transformer
 (2) = Speed controllable via TRIAC or Transformer
 (3) = Speed controllable via Inverter
 * = No speed control available
 [H] High speed, [M] Medium speed, [L] Low speed

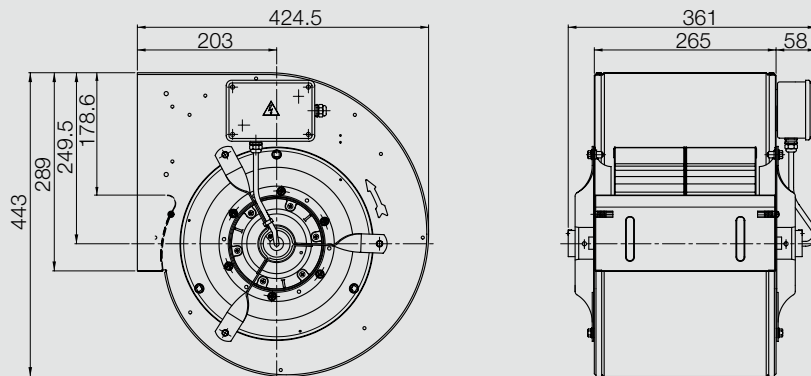
Attention! We suggest to do not use the fan in the grey marked area! The noise ratings given in the performance curves are sound power level L_{WA7} , see „Technical Description“.

Curves



Dimensions in mm, Subject to change.

DDM 280/204 E6G3706 1F 4P 1V +SCT



DDM 7/7

E6G3405 1F 4P 1V +SCT

Technical Data

DDM 7/7 E6G3405	Speed control	Curves	Nominal motor power W	Poles	Phases	Connection	Mains frequency Hz	Max. power consumption W	Max. current consumption A	Speed 1/min
1F 4P 1V +SCT	(2)	[G1/G2]	420	4	1~		50/60	623	2.6	1320

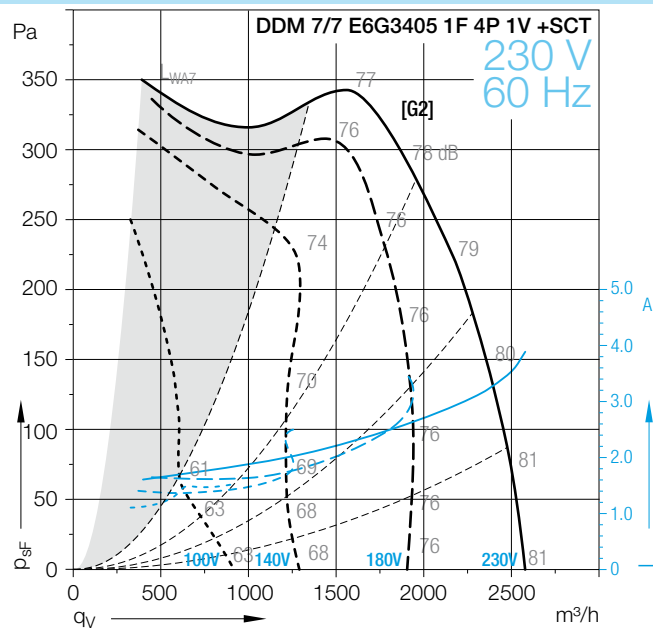
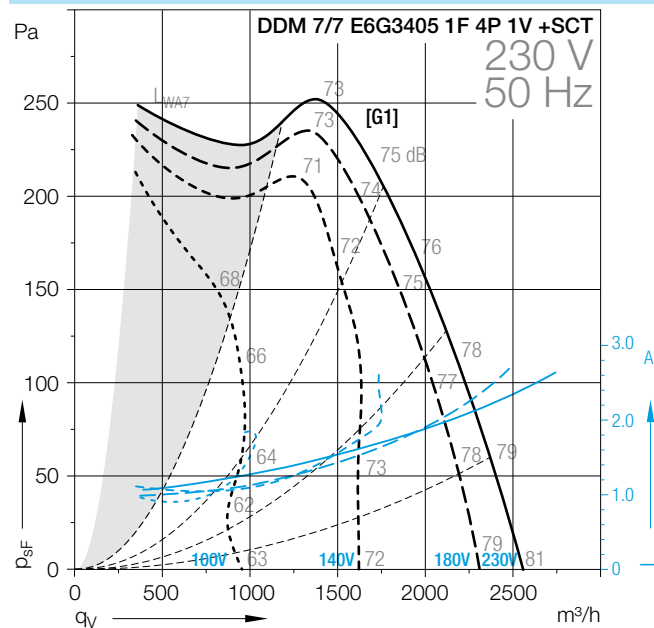
Technical Data

DDM 7/7 E6G3405	Operating Capacitor μF	Nominal capacitor voltage V	Motor protection class	Motor thermal class	Thermal protection	Media Temperature max. $^{\circ}\text{C}$	Fan weight kg	Density of media kg/m^3	Installation type (ISO 5801)	Article number
1F 4P 1V +SCT	12.5	450	IP55	F	EXT	50	12	1.2	B	6M02WL

- (1) = Speed controllable via Transformer
- (2) = Speed controllable via TRIAC or Transformer
- (3) = Speed controllable via Inverter
- * = No speed control available
- [HI] High speed, [ME] Medium speed, [LO] Low speed

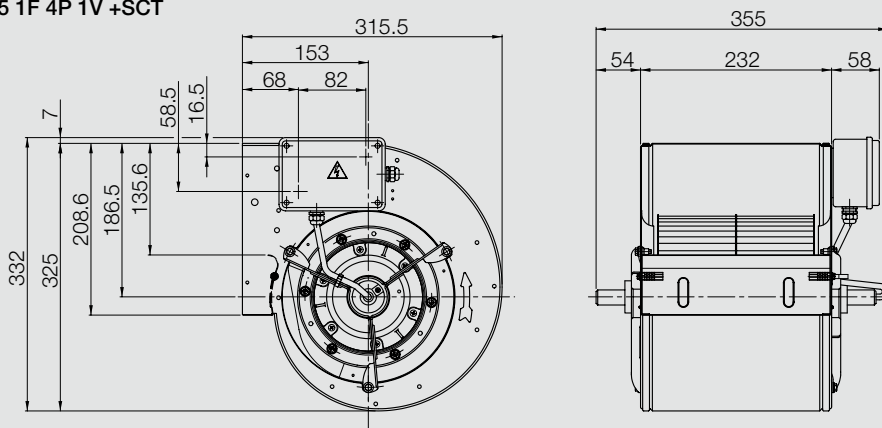
Attention! We suggest to do not use the fan in the grey marked area! The noise ratings given in the performance curves are sound power level L_{WA7} , see „Technical Description“.

Curves



Dimensions in mm, Subject to change.

DDM 7/7 E6G3405 1F 4P 1V +SCT



DDM 7/7 E6G3304 1F 4P 1V +SCT

Technical Data

DDM 7/7 E6G3304	Speed control	Curves	Nominal motor power W	Poles	Phases	Connection	Mains frequency Hz	Max. power consumption W	Max. current consumption A	Speed 1/min
1F 4P 1V +SCT	(2)	[G3/G4]	300	4	1~		50/60	555	2.3	1260

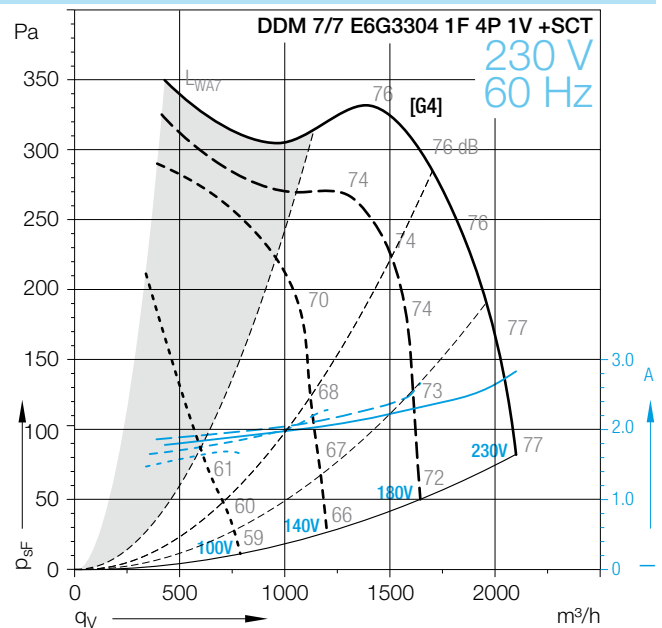
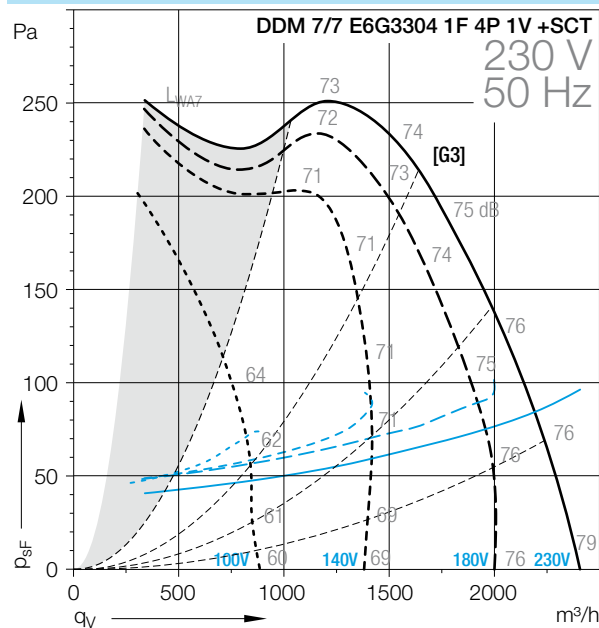
Technical Data

DDM 7/7 E6G3304	Operating Capacitor μF	Nominal capacitor voltage V	Motor protection class	Motor thermal class	Thermal protection	Media Temperature max. $^{\circ}\text{C}$	Fan weight kg	Density of media kg/m^3	Installation type (ISO 5801)	Article number
1F 4P 1V +SCT	10	450	IP55	F	EXT	40	12	1.2	B	6M02Y8

(1) = Speed controllable via Transformer
 (2) = Speed controllable via TRIAC or Transformer
 (3) = Speed controllable via Inverter
 * = No speed control available
 [H] High speed, [ME] Medium speed, [LO] Low speed

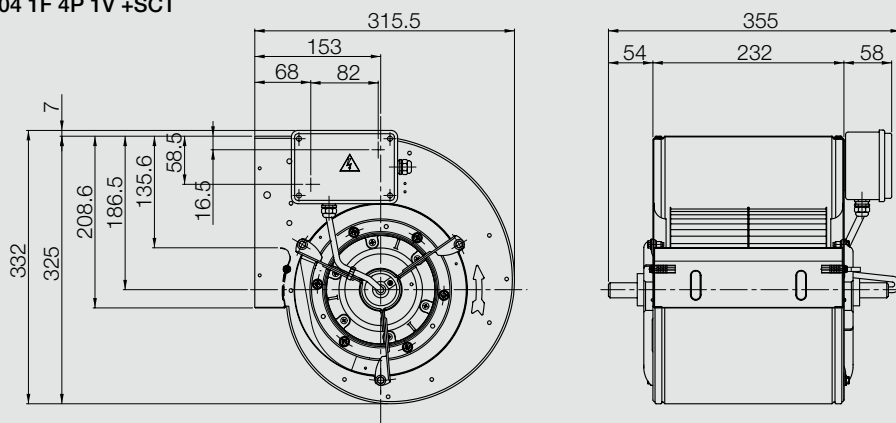
Attention! We suggest to do not use the fan in the grey marked area! The noise ratings given in the performance curves are sound power level L_{WA7} , see „Technical Description“.

Curves



Dimensions in mm, Subject to change.

DDM 7/7 E6G3304 1F 4P 1V +SCT



DDM 7/7

E5G3402 1F 4P 1V +SCT

Technical Data

DDM 7/7 E5G3402	Speed control	Curves	Nominal motor power W	Poles	Phases	Connection	Mains frequency Hz	Max. power consumption W	Max. current consumption A	Speed 1/min
1F 4P 1V +SCT	(2)	[G5]	184	4	1~		50	458	1.9	1250

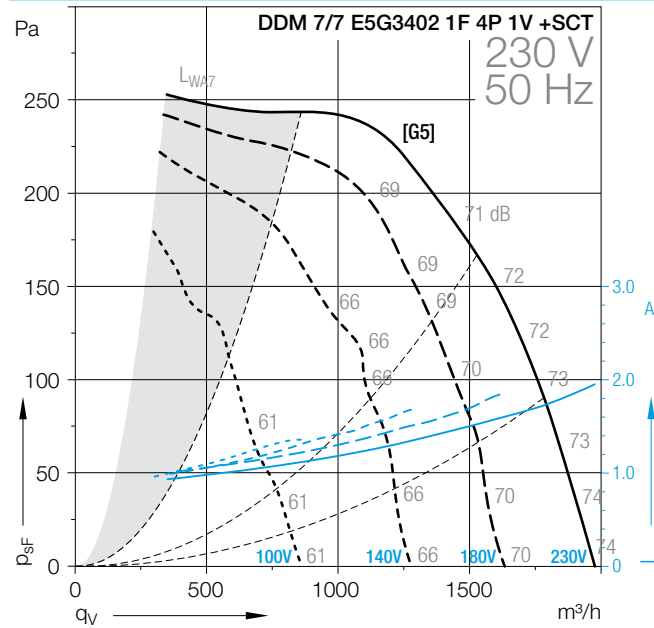
Technical Data

DDM 7/7 E5G3402	Operating Capacitor μF	Nominal capacitor voltage V	Motor protection class	Motor thermal class	Thermal protection	Media Temperature max. $^{\circ}\text{C}$	Fan weight kg	Density of media kg/m^3	Installation type (ISO 5801)	Article number
1F 4P 1V +SCT	6.3	450	IP55	F	EXT	40	12	1.2	B	6M02L7

- (1) = Speed controllable via Transformer
- (2) = Speed controllable via TRIAC or Transformer
- (3) = Speed controllable via Inverter
- * = No speed control available
- [HI] High speed, [ME] Medium speed, [LO] Low speed

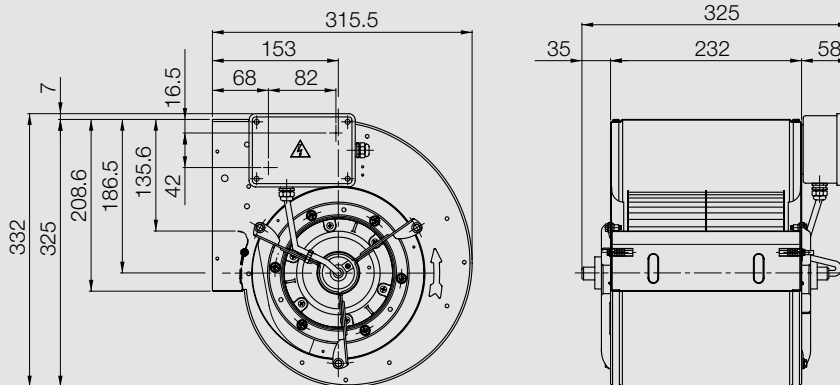
Attention! We suggest to do not use the fan in the grey marked area! The noise ratings given in the performance curves are sound power level L_{WA7} , see „Technical Description“.

Curves



Dimensions in mm, Subject to change.

DDM 7/7 E5G3402 1F 4P 1V +SCT



DDM 7/7

E5G3301 1F 4P 1V +SCT

Technical Data

DDM 7/7 E5G3301	Speed control	Curves	Nominal motor power W	Poles -	Phases	Connection	Mains frequency Hz	Max. power consumption W	Max. current consumption A	Speed 1/min
1F 4P 1V +SCT	(2)	[G7/G8]	147	4	1~		50/60	364	1.5	1200

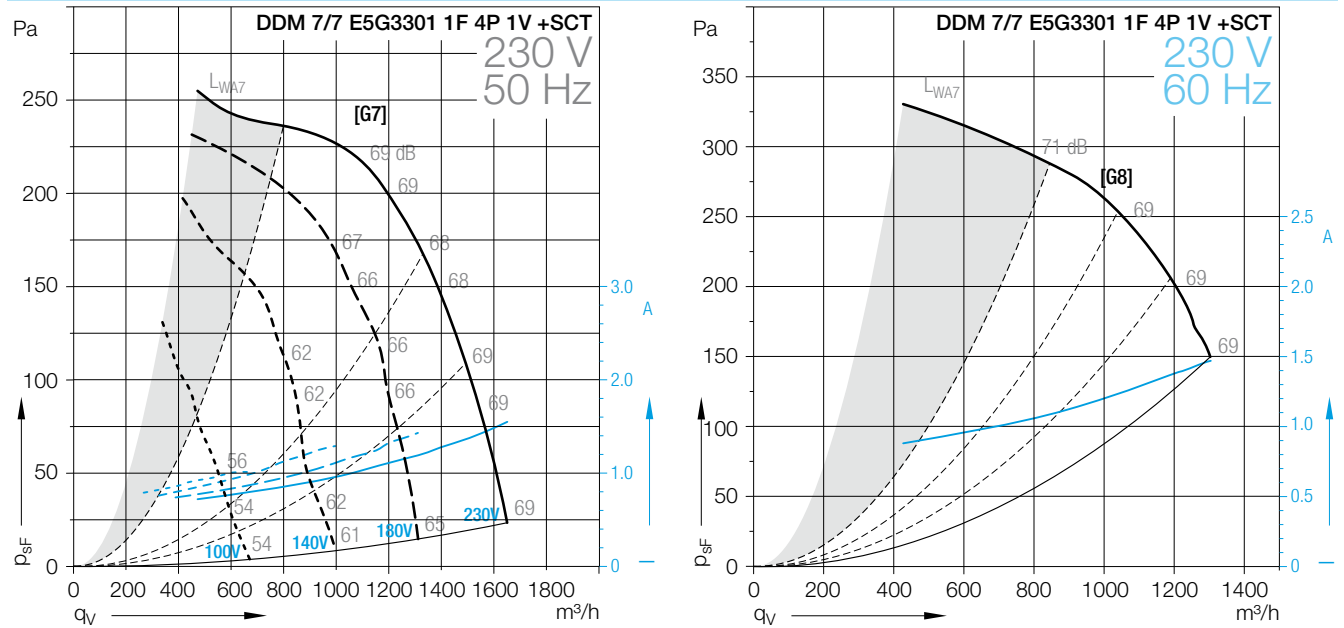
Technical Data

DDM 7/7 E5G3301	Operating Capacitor µF	Nominal capacitor voltage V	Motor protection class	Motor thermal class	Thermal protection	Media Temperature max. °C	Fan weight kg	Density of media kg/m³	Installation type (ISO 5801)	Article number
1F 4P 1V +SCT	5	450	IP55	F	EXT	40	12	1.2	B	6M029M

(1) = Speed controllable via Transformer
 (2) = Speed controllable via TRIAC or Transformer
 (3) = Speed controllable via Inverter
 * = No speed control available
 [H] High speed, [ME] Medium speed, [LO] Low speed

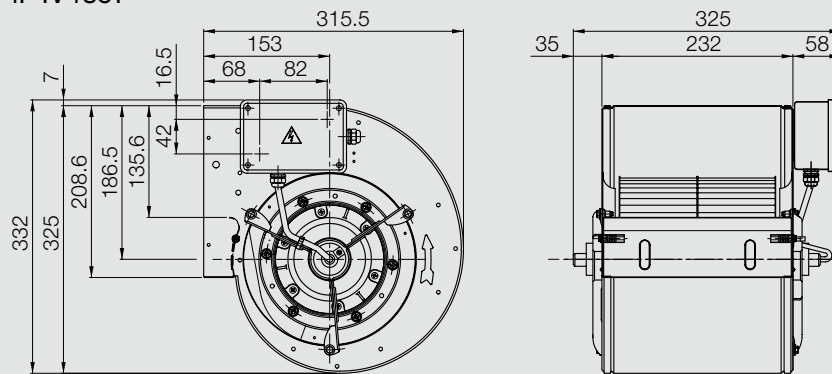
Attention! We suggest to do not use the fan in the grey marked area! The noise ratings given in the performance curves are sound power level L_{WA7} , see „Technical Description“.

Curves



Dimensions in mm, Subject to change.

DDM 7/7 E5G3301 1F 4P 1V +SCT



DDM 7/7

E6G3307 1F 4P 3V +SCT

Technical Data

DDM 7/7 E6G3307	Speed control	Curves	Nominal motor power W	Poles	Phases	Connection	Mains frequency Hz	Max. power consumption W	Max. current consumption A	Speed 1/min
1F 4P 3V +SCT	*	[G9]	184	4	1~		50	406	1.7	1230

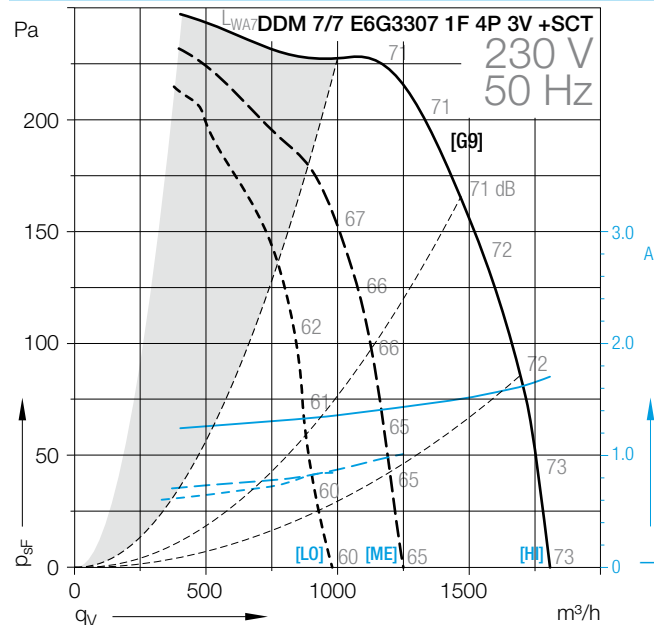
Technical Data

DDM 7/7 E6G3307	Operating Capacitor μF	Nominal capacitor voltage V	Motor protection class	Motor thermal class	Thermal protection	Media Temperature max. $^{\circ}\text{C}$	Fan weight kg	Density of media kg/m^3	Installation type (ISO 5801)	Article number
1F 4P 3V +SCT	8	450	IP55	F	EXT	60	13	1.2	B	6M022U

(1) = Speed controllable via Transformer
 (2) = Speed controllable via TRIAC or Transformer
 (3) = Speed controllable via Inverter
 * = No speed control available
 [HI] High speed, [ME] Medium speed, [LO] Low speed

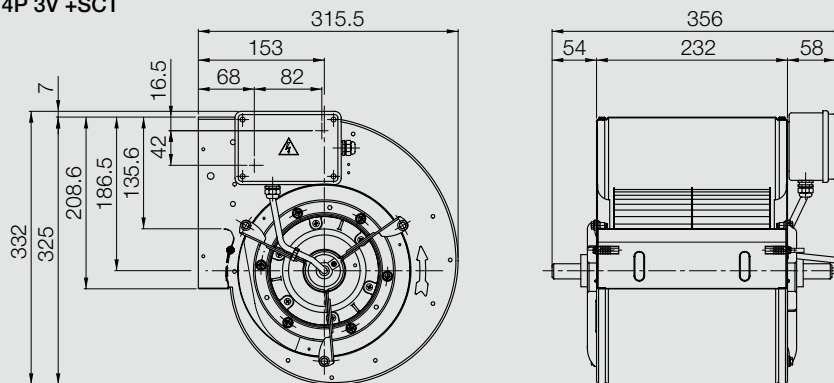
Attention! We suggest to do not use the fan in the grey marked area! The noise ratings given in the performance curves are sound power level L_{WA7} , see „Technical Description“.

Curves



Dimensions in mm, Subject to change.

DDM 7/7 E6G3307 1F 4P 3V +SCT



DDM 7/7

E5G3401 1F 4P 3V +SCT

Technical Data

DDM 7/7 E5G3401	Speed control	Curves	Nominal motor power W	Poles -	Phases	Connection	Mains frequency Hz	Max. power consumption W	Max. current consumption A	Speed 1/min
1F 4P 3V +SCT	*	[G11]	147	4	1~		50	358	1.5	1150

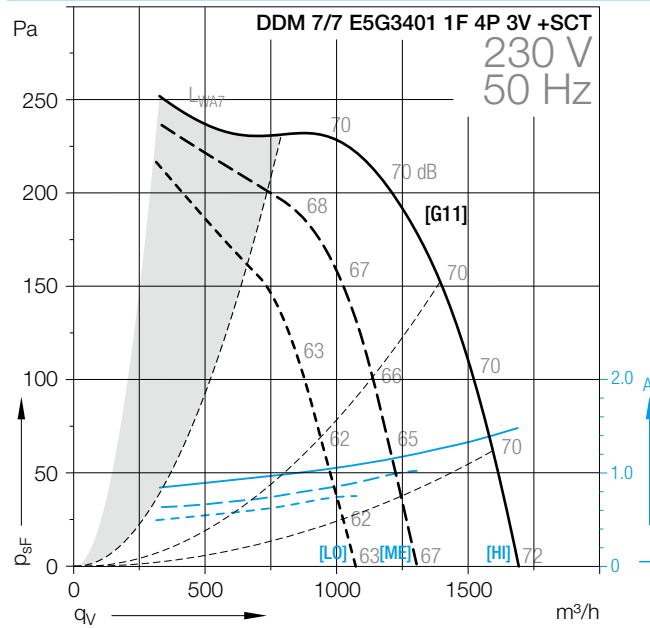
Technical Data

DDM 7/7 E5G3401	Operating Capacitor µF	Nominal capacitor voltage V	Motor protection class	Motor thermal class	Thermal protection	Media Temperature max. °C	Fan weight kg	Density of media kg/m³	Installation type (ISO 5801)	Article number
1F 4P 3V +SCT	6.3	450	IP44	F	EXT	40	9	1.2	B	6M02U8

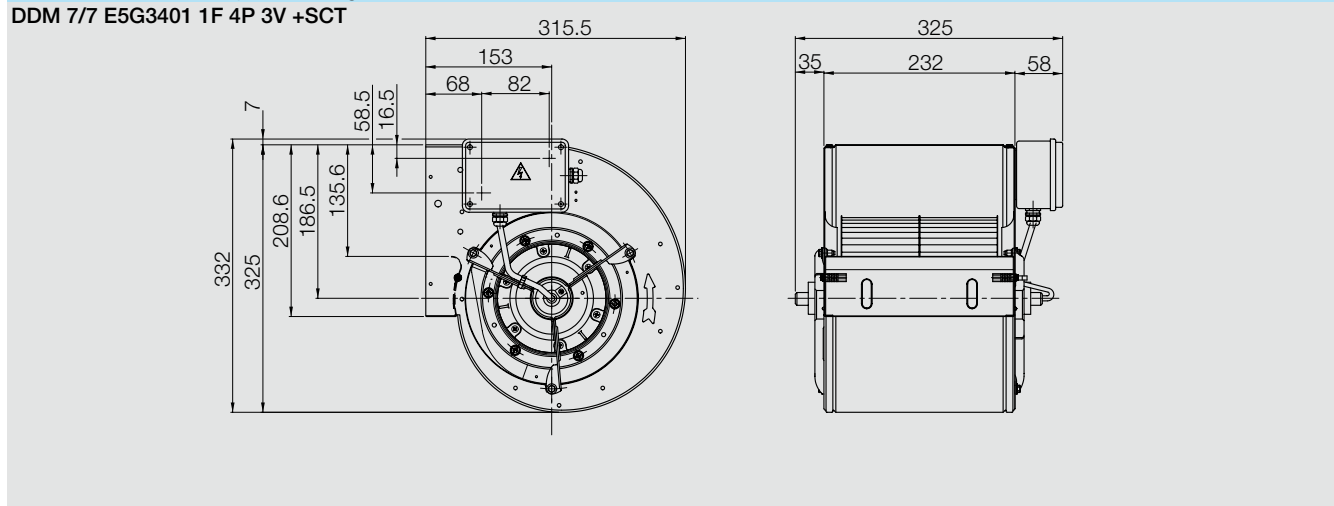
- (1) = Speed controllable via Transformer
- (2) = Speed controllable via TRIAC or Transformer
- (3) = Speed controllable via Inverter
- * = No speed control available
- [H] High speed, [ME] Medium speed, [LO] Low speed

Attention! We suggest to do not use the fan in the grey marked area! The noise ratings given in the performance curves are sound power level L_{WA7} , see „Technical Description“.

Curves



Dimensions in mm, Subject to change.



DDM 7/7

E6G3309 3F 4P 1V +SCT

Technical Data

DDM 7/7 E6G3309	Speed control	Curves	Nominal motor power W	Poles	Phases	Connection	Mains frequency Hz	Max. power consumption W	Max. current consumption A	Speed 1/min
3F 4P 1V +SCT	*	[G13/G14]	300	4	3~	Δ/Y	50/60	605	1	1360

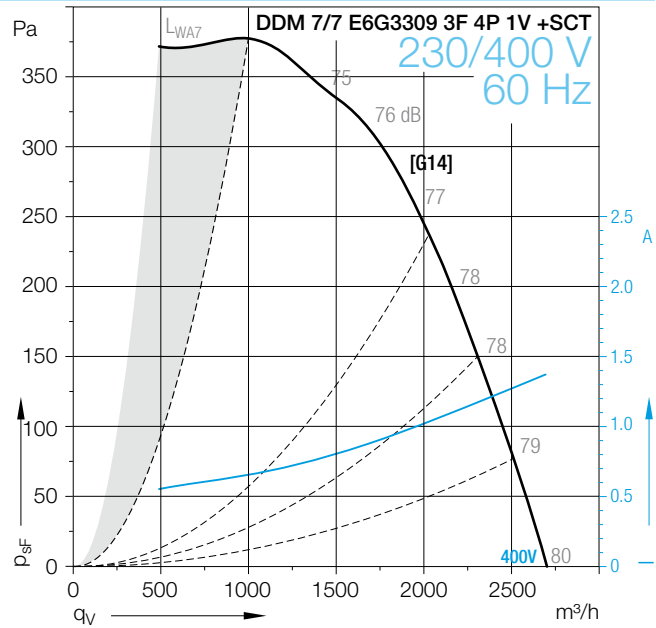
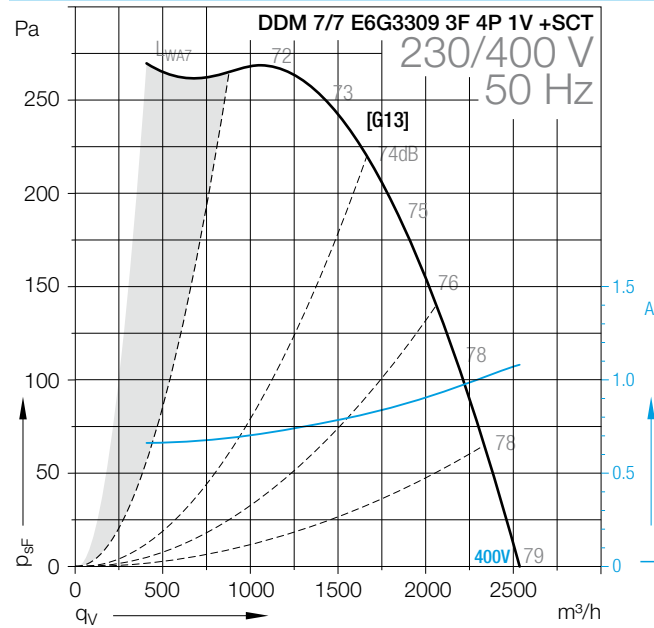
Technical Data

DDM 7/7 E6G3309	Operating Capacitor μF	Nominal capacitor voltage V	Motor protection class	Motor thermal class	Thermal protection	Media Temperature max. °C	Fan weight kg	Density of media kg/m³	Installation type (ISO 5801)	Article number
3F 4P 1V +SCT			IP55	F	EXT	70	15	1.2	B	6M02WM

- (1) = Speed controllable via Transformer
- (2) = Speed controllable via TRIAC or Transformer
- (3) = Speed controllable via Inverter
- * = No speed control available
- [HI] High speed, [ME] Medium speed, [LO] Low speed

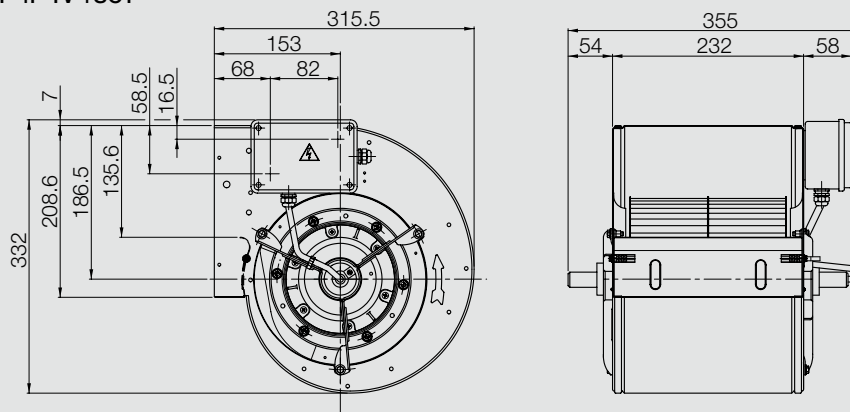
Attention! We suggest to do not use the fan in the grey marked area! The noise ratings given in the performance curves are sound power level L_{WA7} , see „Technical Description“.

Curves



Dimensions in mm, Subject to change.

DDM 7/7 E6G3309 3F 4P 1V +SCT



DDM 7/7

E5G3403 3F 4P 1V +SCT

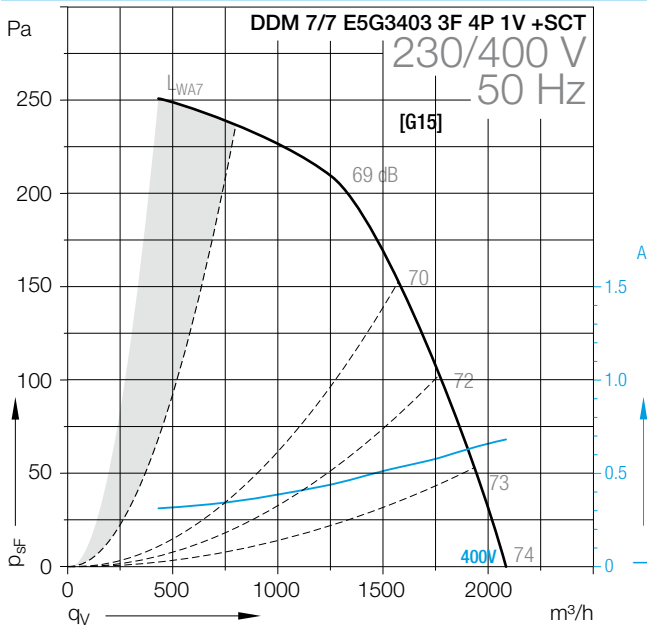
Technical Data										
DDM 7/7 E5G3403	Speed control	Curves	Nominal motor power W	Poles -	Phases	Connection	Mains frequency Hz	Max. power consumption W	Max. current consumption A	Speed 1/min
3F 4P 1V +SCT	*	[G15/G16]	147	4	3~	Δ/Y	50/60	413	0.7	1290

Technical Data										
DDM 7/7 E5G3403	Operating Capacitor μF	Nominal capacitor voltage V	Motor protection class	Motor thermal class	Thermal protection	Media Temperature max. °C	Fan weight kg	Density of media kg/m³	Installation type (ISO 5801)	Article number
3F 4P 1V +SCT			IP55	F	EXT	40	13	1.2	B	6M022H

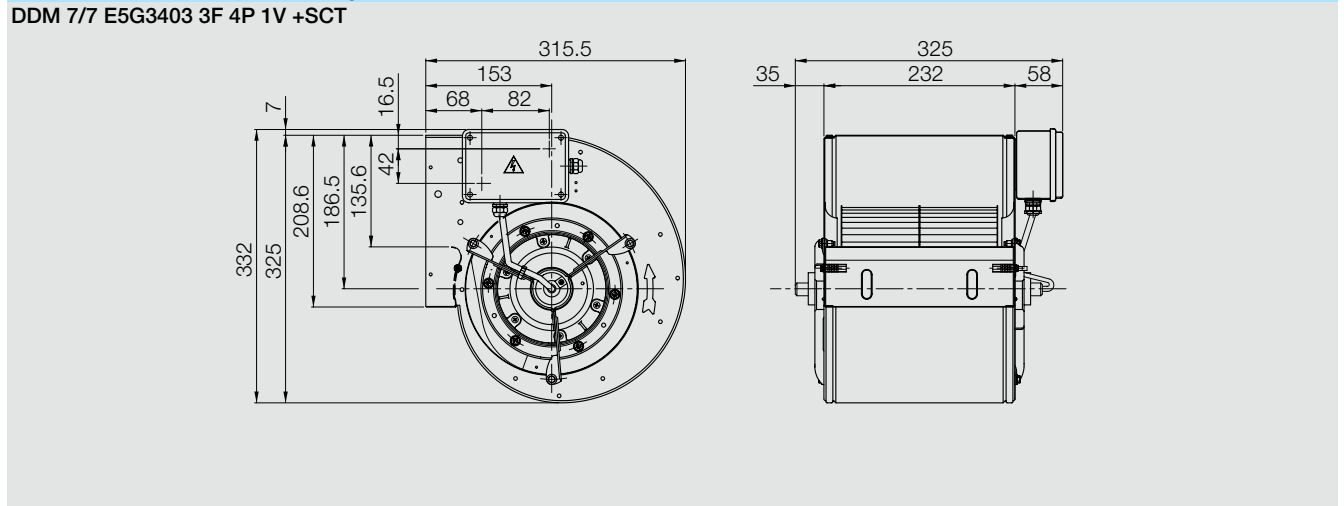
(1) = Speed controllable via Transformer
 (2) = Speed controllable via TRIAC or Transformer
 (3) = Speed controllable via Inverter
 * = No speed control available
 [H] High speed, [ME] Medium speed, [LO] Low speed

Attention! We suggest to do not use the fan in the grey marked area! The noise ratings given in the performance curves are sound power level L_{WA7} , see „Technical Description“.

Curves



Dimensions in mm, Subject to change.



DDM 7/7

E5G3302 1F 6P 1V +SCT

Technical Data

DDM 7/7 E5G3302	Speed control	Curves	Nominal motor power W	Poles	Phases	Connection	Mains frequency Hz	Max. power consumption W	Max. current consumption A	Speed 1/min
1F 6P 1V +SCT	(2)	[G17/G18]	90	6	1~		50/60	213	0.9	840

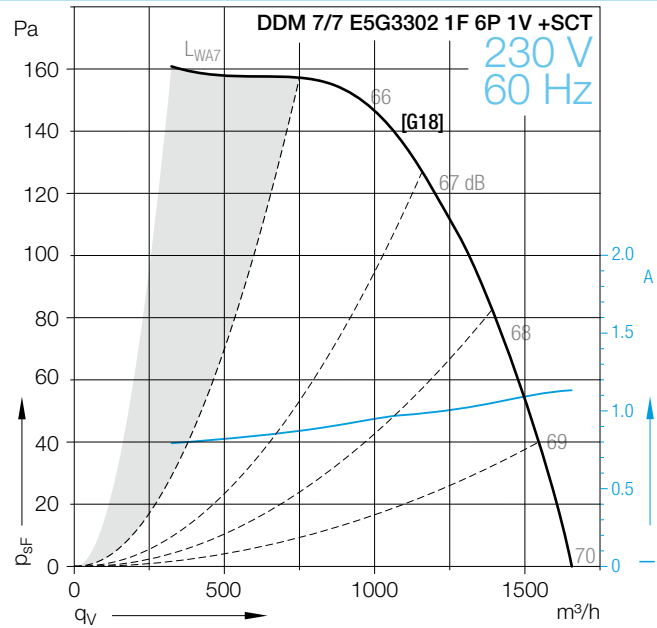
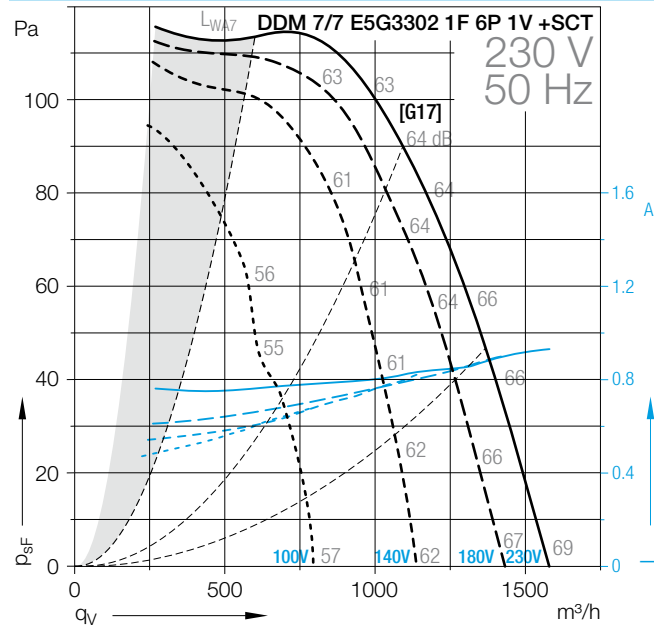
Technical Data

E5G3302 DDM 7/7	Operating Capacitor μF	Nominal capacitor voltage V	Motor protection class	Motor thermal class	Thermal protection	Media Temperature max. $^{\circ}\text{C}$	Fan weight kg	Density of media kg/m^3	Installation type (ISO 5801)	Article number
1F 6P 1V +SCT	5	450	IP55	F	EXT	70	12	1.2	B	6M02Z4

(1) = Speed controllable via Transformer
 (2) = Speed controllable via TRIAC or Transformer
 (3) = Speed controllable via Inverter
 * = No speed control available
 [HI] High speed, [ME] Medium speed, [LO] Low speed

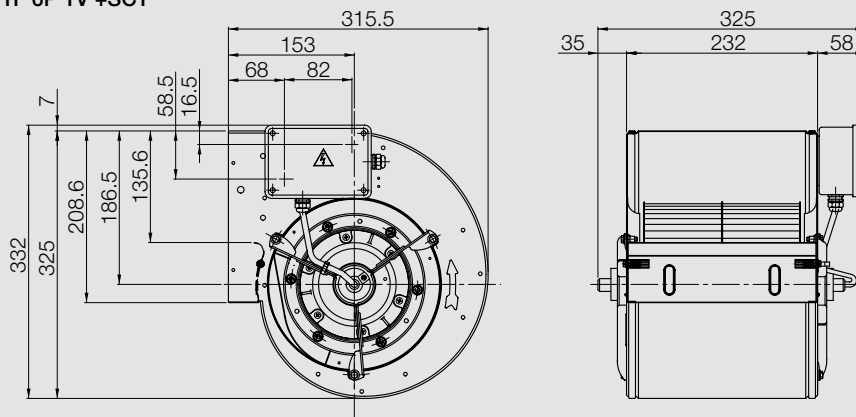
Attention! We suggest to do not use the fan in the grey marked area! The noise ratings given in the performance curves are sound power level L_{WA7} , see „Technical Description“.

Curves



Dimensions in mm, Subject to change.

DDM 7/7 E5G3302 1F 6P 1V +SCT



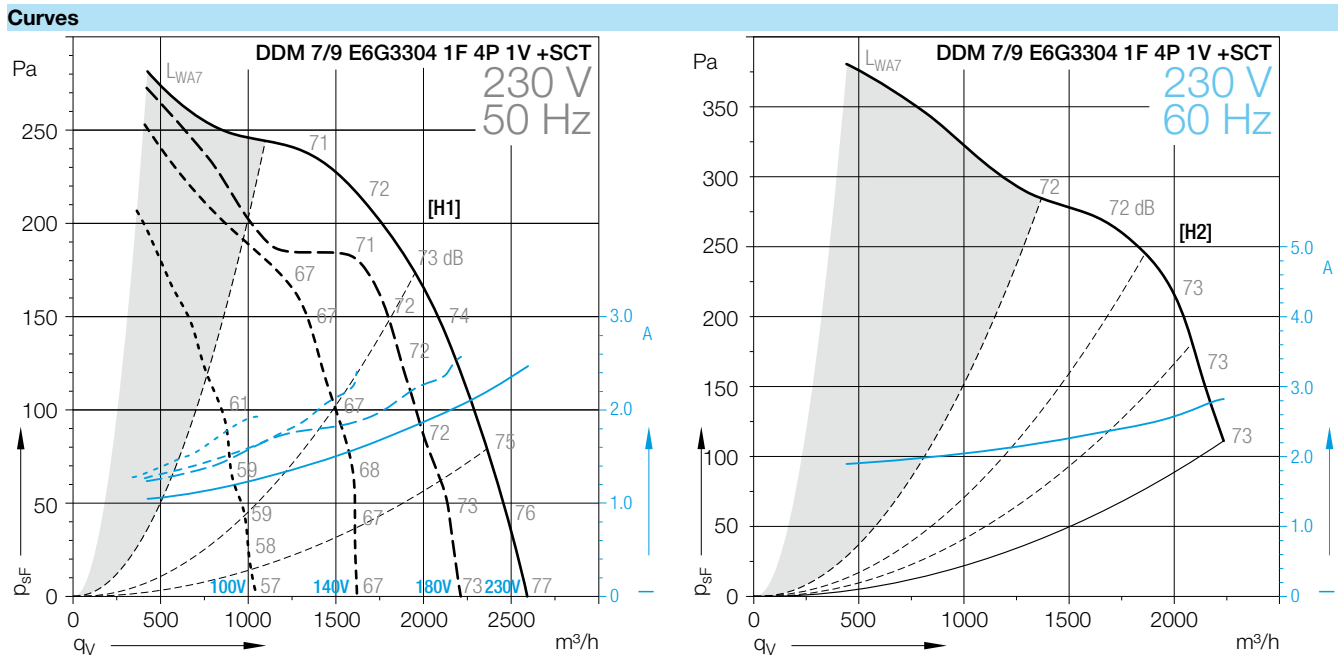
DDM 7/9 E6G3304 1F 4P 1V +SCT

Technical Data										
DDM 7/9 E6G3304	Speed control	Curves	Nominal motor power W	Poles -	Phases	Connection	Mains frequency Hz	Max. power consumption W	Max. current consumption A	Speed 1/min
1F 4P 1V +SCT	(2)	[H1/H2]	300	4	1~		50/60	587	2.4	1260

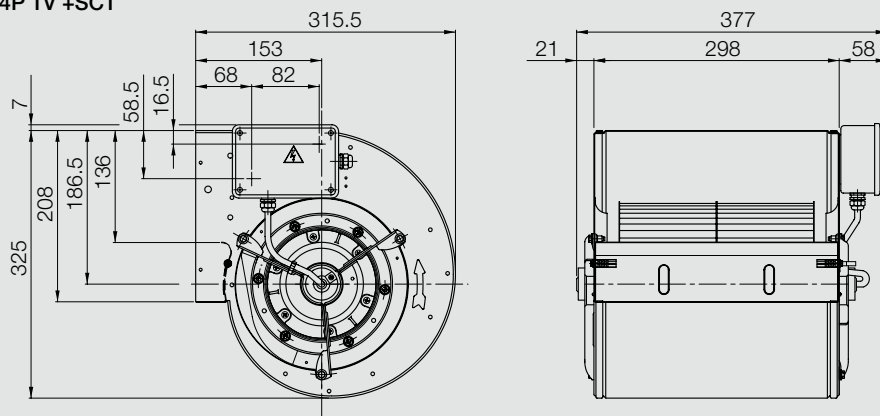
Technical Data										
DDM 7/9 E6G3304	Operating Capacitor µF	Nominal capacitor voltage V	Motor protection class	Motor thermal class	Thermal protection	Media Temperature max. °C	Fan weight kg	Density of media kg/m³	Installation type (ISO 5801)	Article number
1F 4P 1V +SCT	10	450	IP55	F	EXT	40	15	1.2	B	6M02L6

(1) = Speed controllable via Transformer
 (2) = Speed controllable via TRIAC or Transformer
 (3) = Speed controllable via Inverter
 * = No speed control available
 [H1] High speed, [ME] Medium speed, [LO] Low speed

Attention! We suggest to do not use the fan in the grey marked area! The noise ratings given in the performance curves are sound power level L_{WA7} , see „Technical Description“.



Dimensions in mm, Subject to change.
 DDM 7/9 E6G3304 1F 4P 1V +SCT



DDM 7/9 E6G3405 1F 4P 1V +SCT

Technical Data

DDM 7/9 E6G3405	Speed control	Curves	Nominal motor power W	Poles	Phases	Connection	Mains frequency Hz	Max. power consumption W	Max. current consumption A	Speed 1/min
1F 4P 1V +SCT	(2)	[H3/H4]	420	4	1~		50/60	696	3	1320

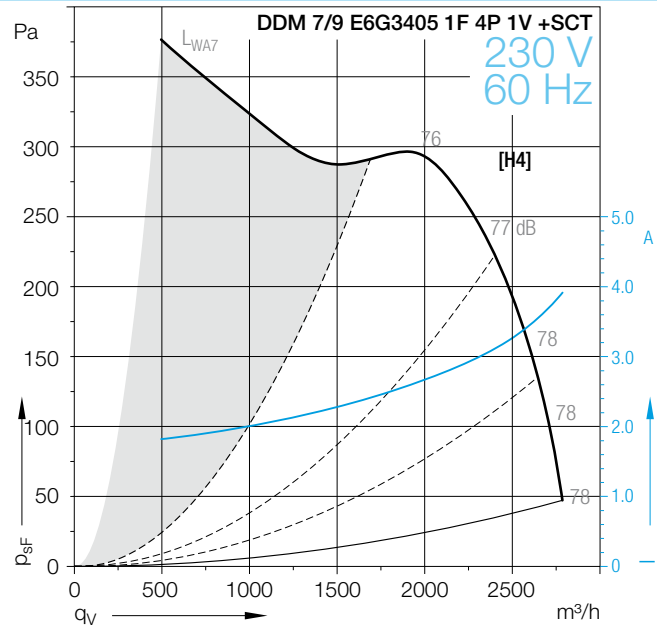
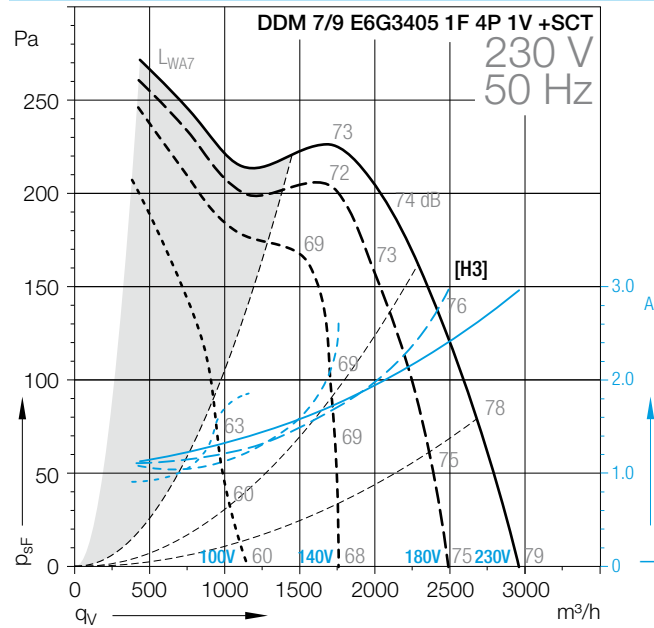
Technical Data

DDM 7/9 E6G3405	Operating Capacitor μF	Nominal capacitor voltage V	Motor protection class	Motor thermal class	Thermal protection	Media Temperature max. $^{\circ}\text{C}$	Fan weight kg	Density of media kg/m^3	Installation type (ISO 5801)	Article number
1F 4P 1V +SCT	12.5	450	IP55	F	EXT	40	15	1.2	B	6M025X

(1) = Speed controllable via Transformer
 (2) = Speed controllable via TRIAC or Transformer
 (3) = Speed controllable via Inverter
 * = No speed control available
 [HI] High speed, [ME] Medium speed, [LO] Low speed

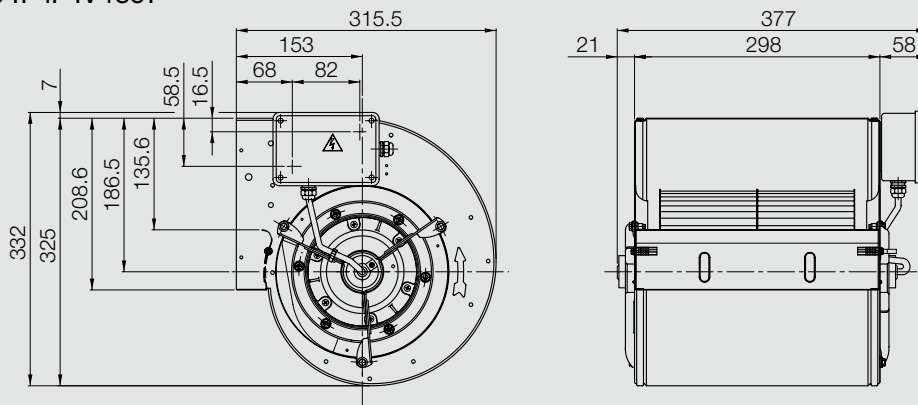
Attention! We suggest to do not use the fan in the grey marked area! The noise ratings given in the performance curves are sound power level L_{WA7} , see „Technical Description“.

Curves



Dimensions in mm, Subject to change.

DDM 7/9 E6G3405 1F 4P 1V +SCT



DDM 9/7 E6G3501 1F 4P 1V +SCT

Technical Data

DDM 9/7 E6G3501	Speed control	Curves	Nominal motor power W	Poles -	Phases	Connection	Mains frequency Hz	Max. power consumption W	Max. current consumption A	Speed 1/min
1F 4P 1V +SCT	(2)	[1/1/2]	550	4	1~		50/60	1004	4.2	1290

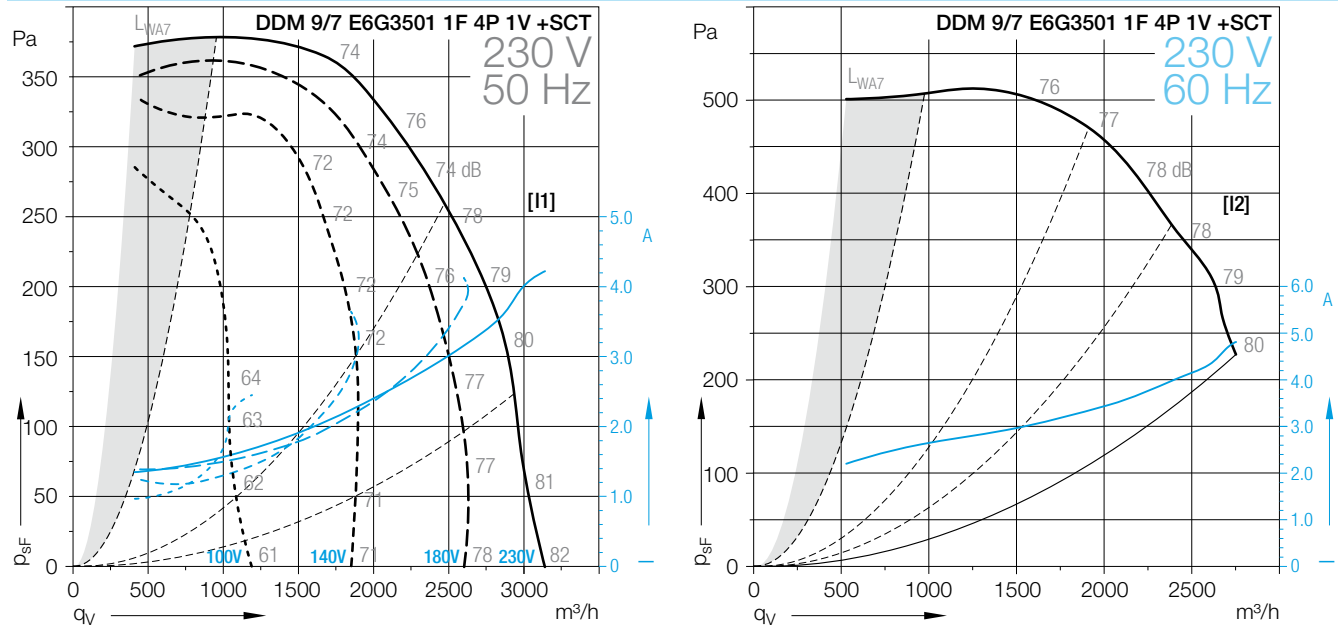
Technical Data

DDM 9/7 E6G3501	Operating Capacitor µF	Nominal capacitor voltage V	Motor protection class	Motor thermal class	Thermal protection	Media Temperature max. °C	Fan weight kg	Density of media kg/m³	Installation type (ISO 5801)	Article number
1F 4P 1V +SCT	12.5	450	IP55	F	EXT	40	17	1.2	B	6M020M

(1) = Speed controllable via Transformer
 (2) = Speed controllable via TRIAC or Transformer
 (3) = Speed controllable via Inverter
 * = No speed control available
 [H] High speed, [ME] Medium speed, [LO] Low speed

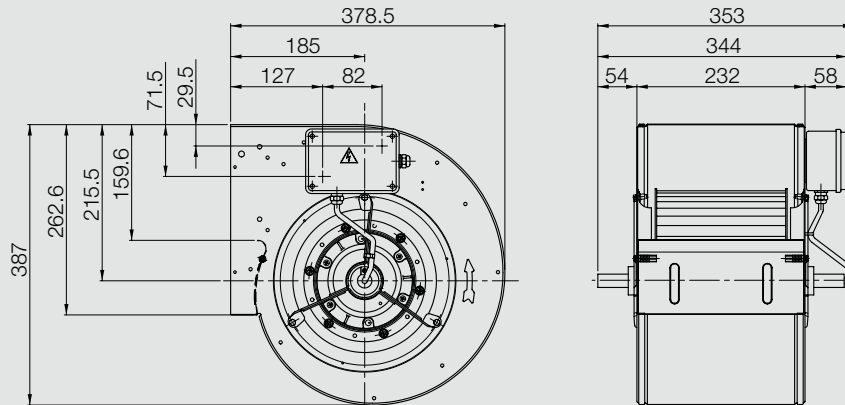
Attention! We suggest to do not use the fan in the grey marked area! The noise ratings given in the performance curves are sound power level L_{WA7} , see „Technical Description“.

Curves



Dimensions in mm, Subject to change.

DDM 9/7 E6G3501 1F 4P 1V +SCT



DDM 9/7

E6G3405 1F 4P 1V +SCT

Technical Data

DDM 9/7 E6G3405	Speed control	Curves	Nominal motor power W	Poles	Phases	Connection	Mains frequency Hz	Max. power consumption W	Max. current consumption A	Speed 1/min
1F 4P 1V +SCT	(2)	[I3]	420	4	1~		50	908	3.6	1320

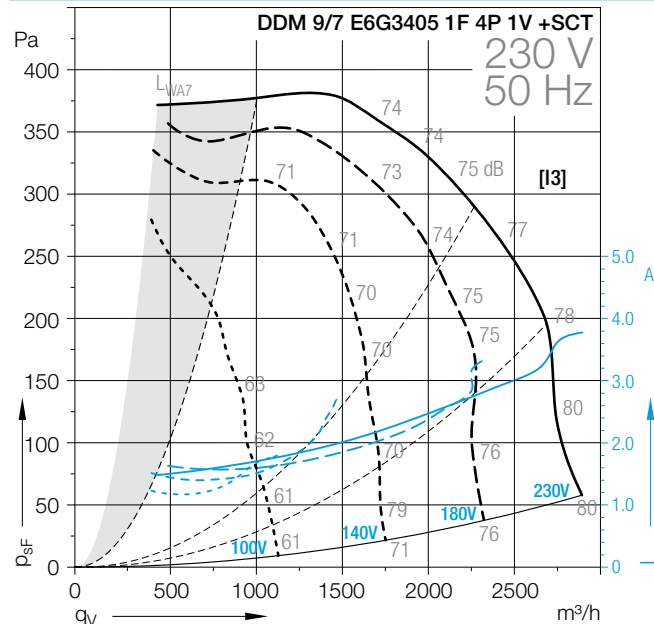
Technical Data

DDM 9/7 E6G3405	Operating Capacitor μF	Nominal capacitor voltage V	Motor protection class	Motor thermal class	Thermal protection	Media Temperature max. $^{\circ}\text{C}$	Fan weight kg	Density of media kg/m^3	Installation type (ISO 5801)	Article number
1F 4P 1V +SCT	16	450	IP55	F	EXT	40	15	1.2	B	6M022A

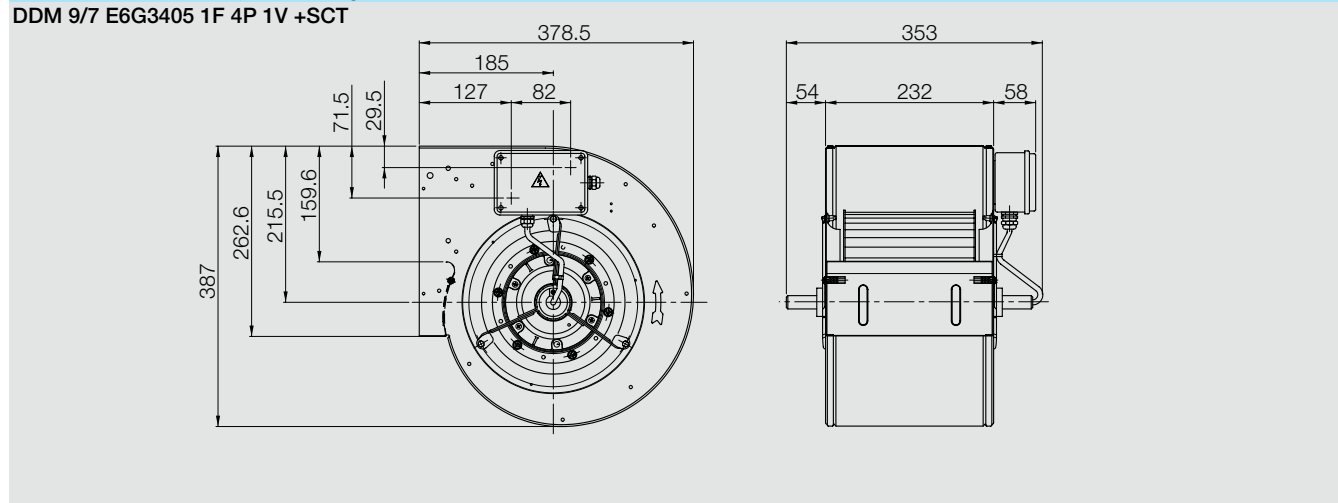
(1) = Speed controllable via Transformer
 (2) = Speed controllable via TRIAC or Transformer
 (3) = Speed controllable via Inverter
 * = No speed control available
 [HI] High speed, [ME] Medium speed, [LO] Low speed

Attention! We suggest to do not use the fan in the grey marked area! The noise ratings given in the performance curves are sound power level L_{WA7} , see „Technical Description“.

Curves



Dimensions in mm, Subject to change.



DDM 9/7

E6G3304 1F 4P 1V +SCT

Technical Data

DDM 9/7 E6G3304	Speed control	Curves	Nominal motor power W	Poles -	Phases	Connection	Mains frequency Hz	Max. power consumption W	Max. current consumption A	Speed 1/min
1F 4P 1V +SCT	(2)	[15]	300	4	1~		50	639	2.6	1260

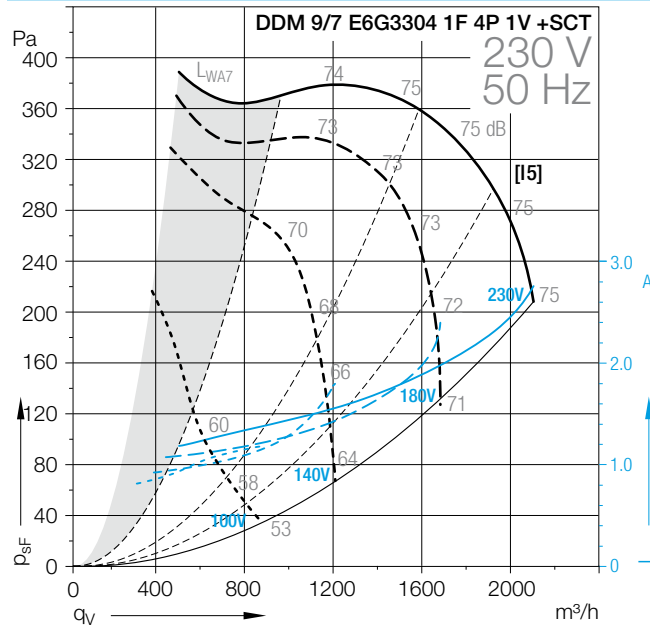
Technical Data

DDM 9/7 E6G3304	Operating Capacitor µF	Nominal capacitor voltage V	Motor protection class	Motor thermal class	Thermal protection	Media Temperature max. °C	Fan weight kg	Density of media kg/m³	Installation type (ISO 5801)	Article number
1F 4P 1V +SCT	10	450	IP55	F	EXT	40	15	1.2	B	6M020N

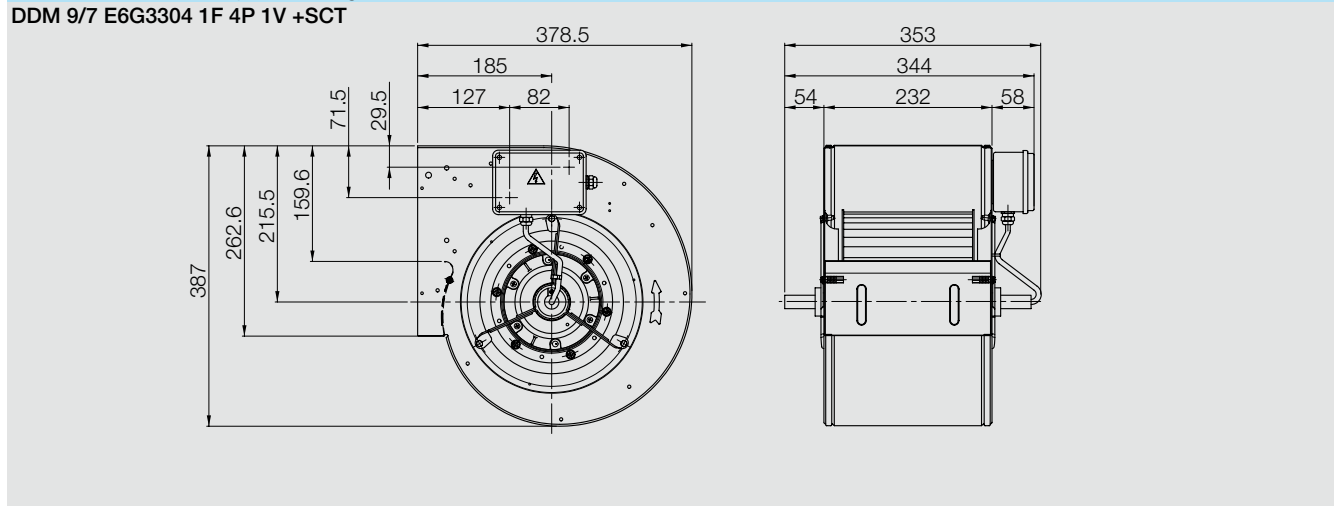
(1) = Speed controllable via Transformer
 (2) = Speed controllable via TRIAC or Transformer
 (3) = Speed controllable via Inverter
 * = No speed control available
 [H] High speed, [ME] Medium speed, [LO] Low speed

Attention! We suggest to do not use the fan in the grey marked area! The noise ratings given in the performance curves are sound power level L_{WA7} , see „Technical Description“.

Curves



Dimensions in mm, Subject to change.



DDM 9/7

E6G3502 1F 4P 3V +SCT

Technical Data

DDM 9/7 E6G3502	Speed control	Curves	Nominal motor power W	Poles	Phases	Connection	Mains frequency Hz	Max. power consumption W	Max. current consumption A	Speed 1/min
1F 4P 3V +SCT	*	[I7]	350	4	1~		50	742	3.1	1250

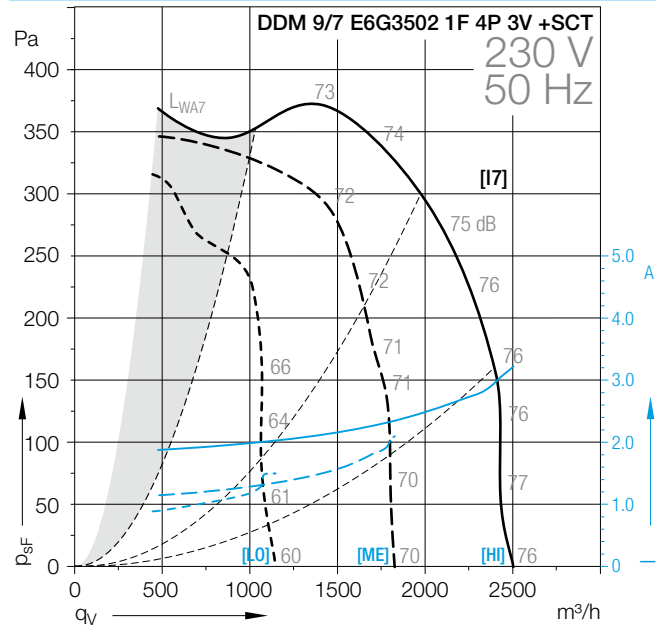
Technical Data

DDM 9/7 E6G3502	Operating Capacitor μF	Nominal capacitor voltage V	Motor protection class	Motor thermal class	Thermal protection	Media Temperature max. $^{\circ}\text{C}$	Fan weight kg	Density of media kg/m^3	Installation type (ISO 5801)	Article number
1F 4P 3V +SCT	12.5	450	IP55	F	EXT	40	17	1.2	B	6M02U9

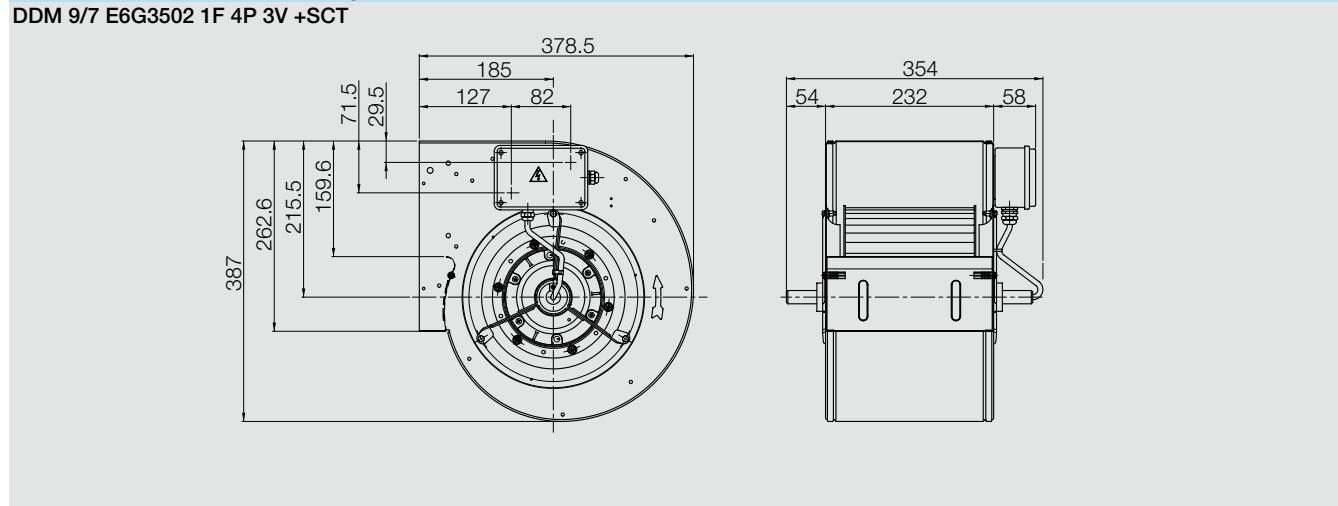
(1) = Speed controllable via Transformer
 (2) = Speed controllable via TRIAC or Transformer
 (3) = Speed controllable via Inverter
 * = No speed control available
 [HI] High speed, [ME] Medium speed, [LO] Low speed

Attention! We suggest to do not use the fan in the grey marked area! The noise ratings given in the performance curves are sound power level L_{WA7} , see „Technical Description“.

Curves



Dimensions in mm, Subject to change.



DDM 9/7 E6G2302 1F 4P 3V

Technical Data

DDM 9/7 E6G2302	Speed control	Curves	Nominal motor power W	Poles -	Phases	Connection	Mains frequency Hz	Max. power consumption W	Max. current consumption A	Speed 1/min
1F 4P 3V	*	[I9/I10]	250	4	1~		50/60	736	3	1260

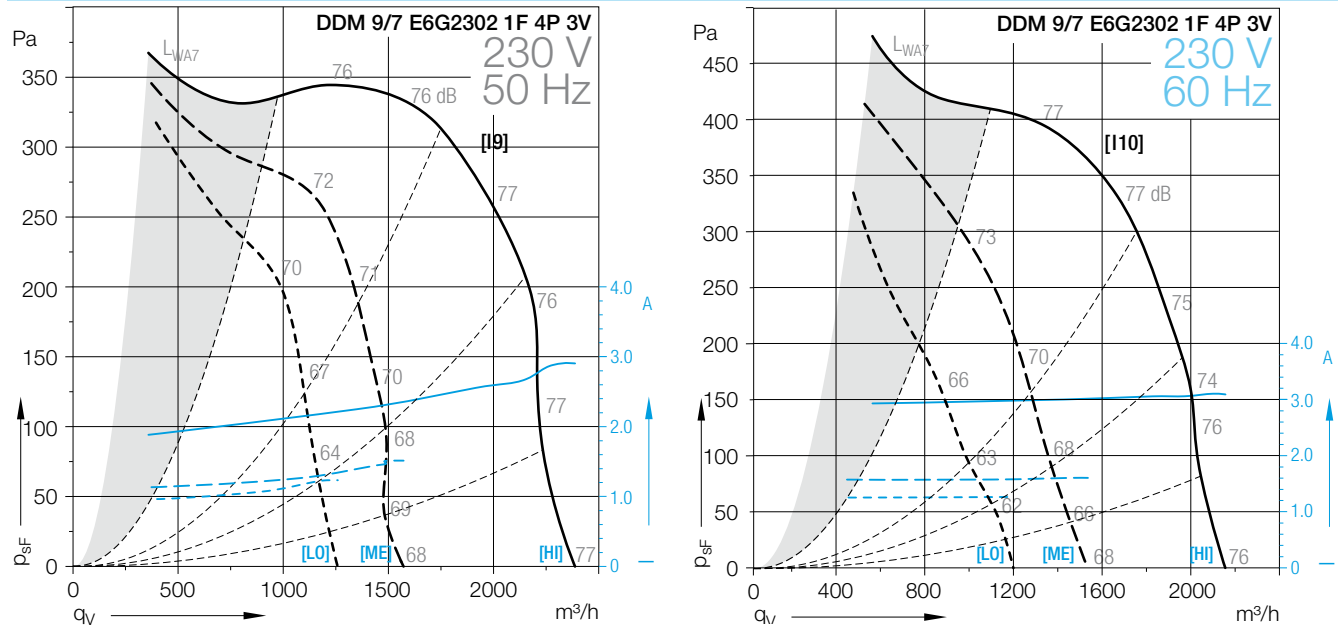
Technical Data

DDM 9/7 E6G2302	Operating Capacitor µF	Nominal capacitor voltage V	Motor protection class	Motor thermal class	Thermal protection	Media Temperature max. °C	Fan weight kg	Density of media kg/m³	Installation type (ISO 5801)	Article number
1F 4P 3V	12.5	500	IP10	F	EXT	40	13	1.2	B	6M02ZN

(1) = Speed controllable via Transformer
 (2) = Speed controllable via TRIAC or Transformer
 (3) = Speed controllable via Inverter
 * = No speed control available
 [HI] High speed, [ME] Medium speed, [LO] Low speed

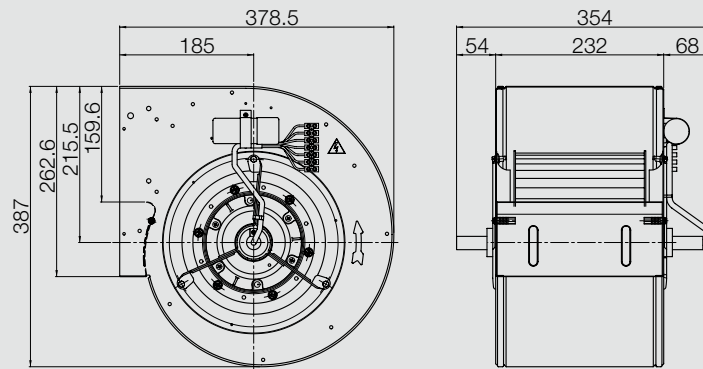
Attention! We suggest to do not use the fan in the grey marked area! The noise ratings given in the performance curves are sound power level L_{WA7} , see „Technical Description“.

Curves



Dimensions in mm, Subject to change.

DDM 9/7 E6G2302 1F 4P 3V +SCT



DDM 9/7

E6G3303 1F 6P 1V +SCT

Technical Data

DDM 9/7 E6G3303	Speed control	Curves	Nominal motor power W	Poles	Phases	Connection	Mains frequency Hz	Max. power consumption W	Max. current consumption A	Speed 1/min
1F 6P 1V +SCT	(2)	[I11/I12]	200	6	1~		50/60	345	1.5	840

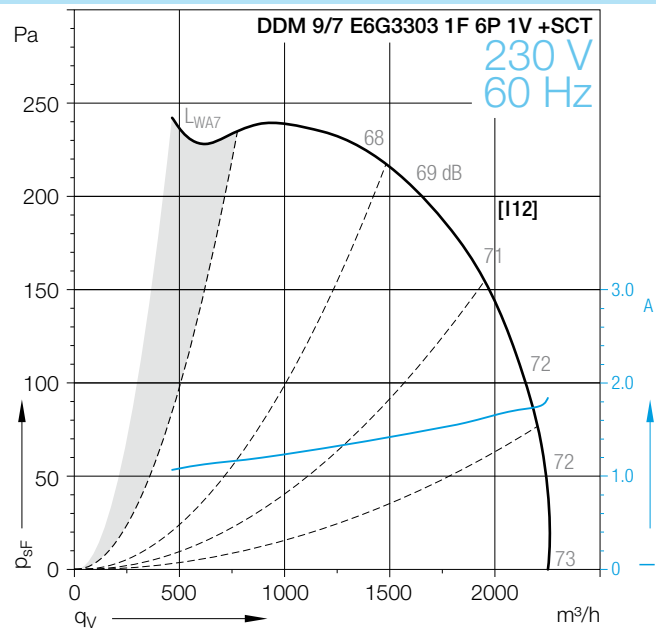
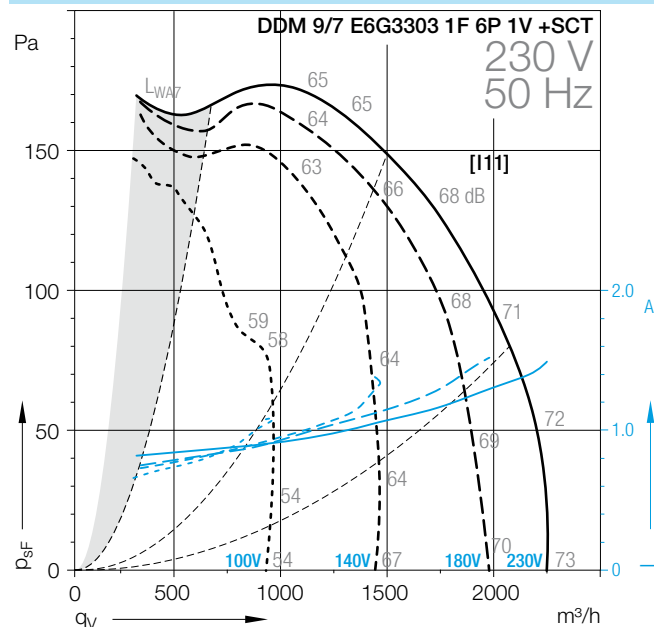
Technical Data

DDM 9/7 E6G3303	Operating Capacitor μF	Nominal capacitor voltage V	Motor protection class	Motor thermal class	Thermal protection	Media Temperature max. $^{\circ}\text{C}$	Fan weight kg	Density of media kg/m^3	Installation type (ISO 5801)	Article number
1F 6P 1V +SCT	8	450	IP55	F	EXT	70	13	1.2	B	6M02H8

- (1) = Speed controllable via Transformer
- (2) = Speed controllable via TRIAC or Transformer
- (3) = Speed controllable via Inverter
- * = No speed control available
- [HI] High speed, [ME] Medium speed, [LO] Low speed

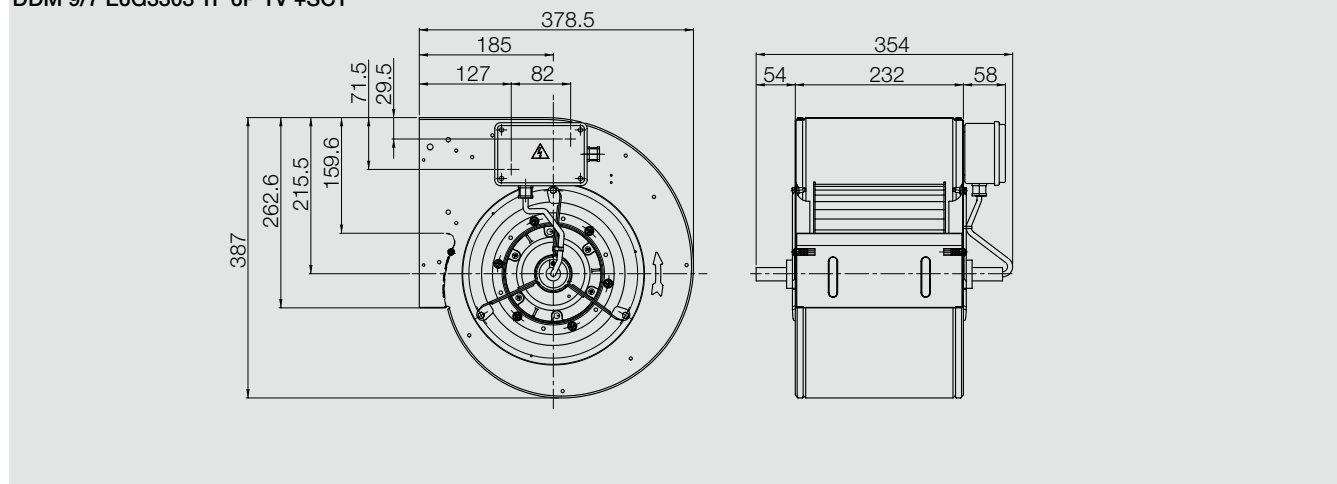
Attention! We suggest to do not use the fan in the grey marked area! The noise ratings given in the performance curves are sound power level L_{WA7} , see „Technical Description“.

Curves



Dimensions in mm, Subject to change.

DDM 9/7 E6G3303 1F 6P 1V +SCT



DDM 9/7 E6G3306 1F 6P 3V +SCT

Technical Data

DDM 9/7 E6G3306	Speed control	Curves	Nominal motor power W	Poles -	Phases	Connection	Mains frequency Hz	Max. power consumption W	Max. current consumption A	Speed 1/min
1F 6P 3V +SCT	*	[113/114]	200	6	1~		50/60	415	1.7	830

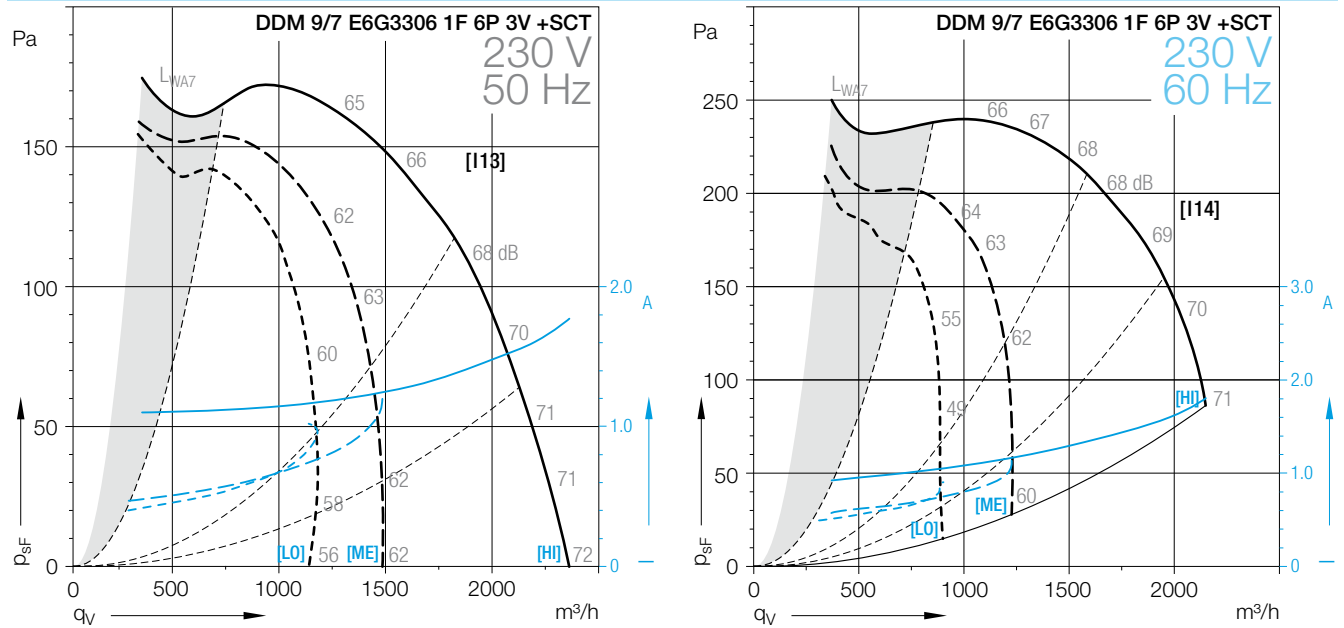
Technical Data

DDM 9/7 E6G3306	Operating Capacitor μF	Nominal capacitor voltage V	Motor protection class	Motor thermal class	Thermal protection	Media Temperature max. °C	Fan weight kg	Density of media kg/m³	Installation type (ISO 5801)	Article number
1F 6P 3V +SCT	8	450	IP44	F	EXT	40	15	1.2	B	6M02WP

(1) = Speed controllable via Transformer
 (2) = Speed controllable via TRIAC or Transformer
 (3) = Speed controllable via Inverter
 * = No speed control available
 [HI] High speed, [ME] Medium speed, [LO] Low speed

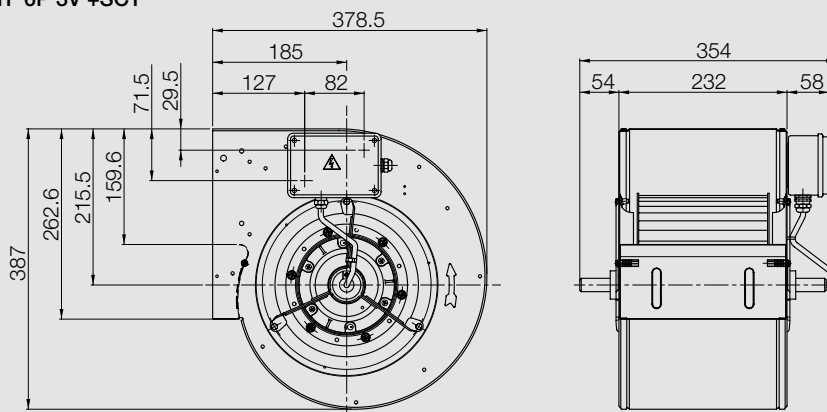
Attention! We suggest to do not use the fan in the grey marked area! The noise ratings given in the performance curves are sound power level L_{WA7} , see „Technical Description“.

Curves



Dimensions in mm, Subject to change.

DDM 9/7 E6G3306 1F 6P 3V +SCT



DDM 9/7

E6G3603 3F 4P 1V +SCT

Technical Data

DDM 9/7 E6G3603	Speed control	Curves	Nominal motor power W	Poles	Phases	Connection	Mains frequency Hz	Max. power consumption W	Max. current consumption A	Speed 1/min
3F 4P 1V +SCT	*	[I15/I16]	550	4	3~	Δ/Y	50/60	1355	2.3	1410

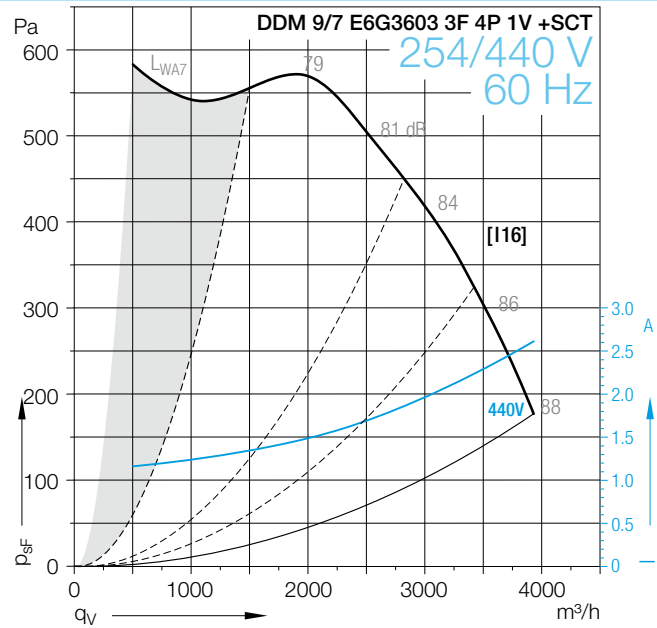
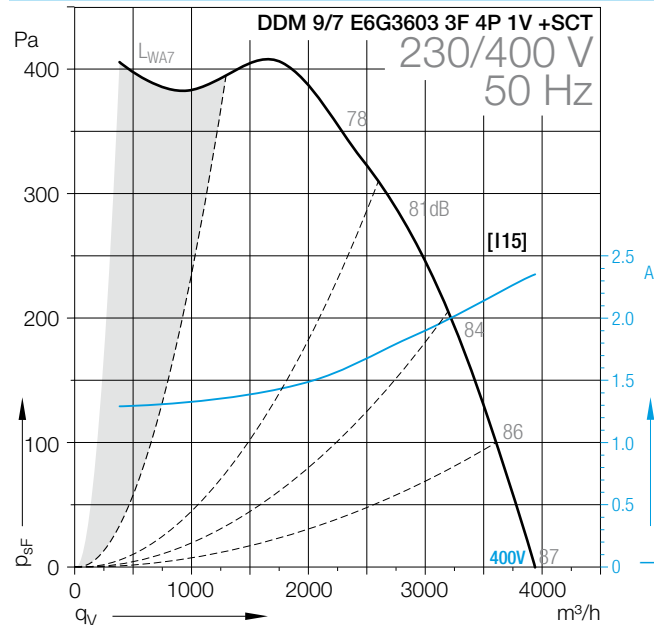
Technical Data

DDM 9/7 E6G3603	Operating Capacitor μF	Nominal capacitor voltage V	Motor protection class	Motor thermal class	Thermal protection	Media Temperature max. °C	Fan weight kg	Density of media kg/m ³	Installation type (ISO 5801)	Article number
3F 4P 1V +SCT			IP55	F	EXT	40	12	1.2	B	6102WT

(1) = Speed controllable via Transformer
 (2) = Speed controllable via TRIAC or Transformer
 (3) = Speed controllable via Inverter
 * = No speed control available
 [HI] High speed, [ME] Medium speed, [LO] Low speed

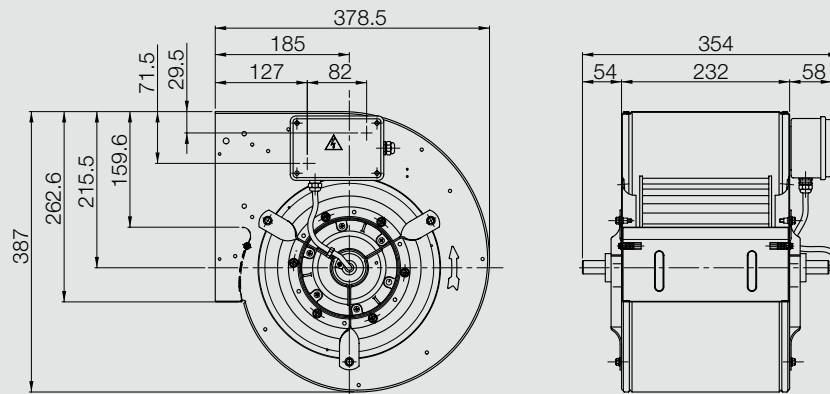
Attention! We suggest to do not use the fan in the grey marked area! The noise ratings given in the performance curves are sound power level L_{WA7} , see „Technical Description“.

Curves



Dimensions in mm, Subject to change.

DDM 9/7 E6G3603 3F 4P 1V +SCT



DDM 9/7 E6G3309 3F 4P 1V +SCT

Technical Data

DDM 9/7 E6G3309	Speed control	Curves	Nominal motor power W	Poles -	Phases	Connection	Mains frequency Hz	Max. power consumption W	Max. current consumption A	Speed 1/min
3F 4P 1V +SCT	*	[17/18]	300	4	3~	Δ/Y	50/60	843	1.4	1360

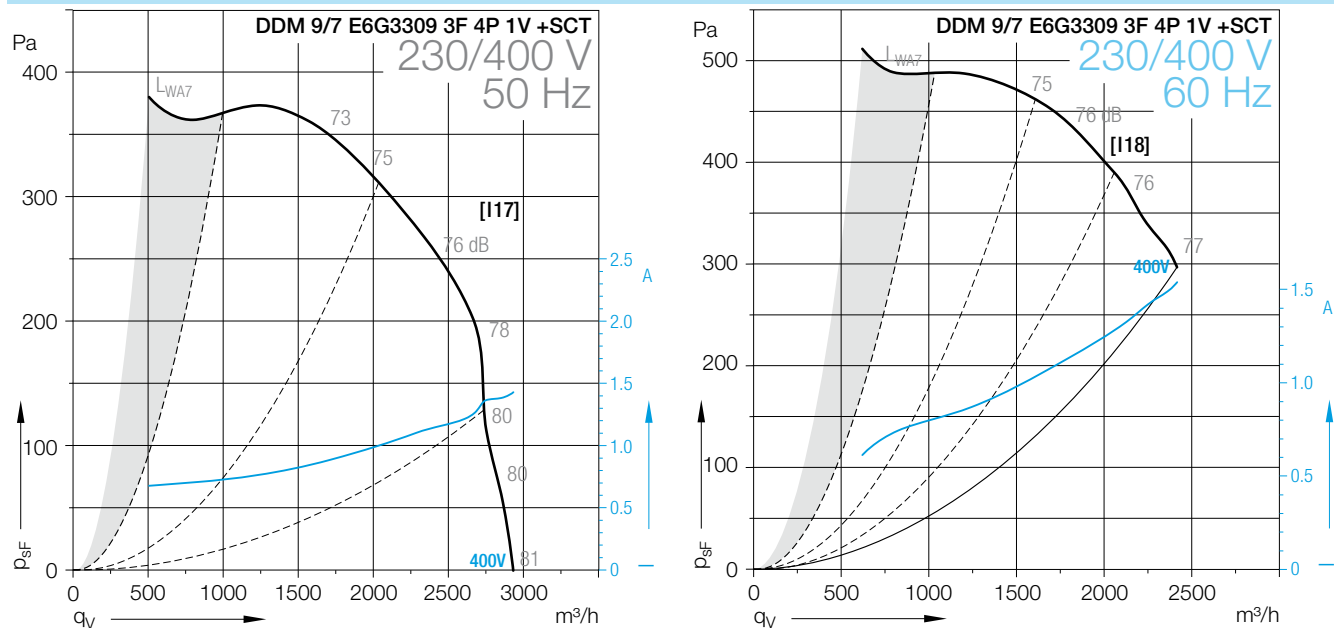
Technical Data

DDM 9/7 E6G3309	Operating Capacitor μF	Nominal capacitor voltage V	Motor protection class	Motor thermal class	Thermal protection	Media Temperature max. °C	Fan weight kg	Density of media kg/m³	Installation type (ISO 5801)	Article number
3F 4P 1V +SCT			IP55	F	EXT	40	10	1.2	B	6M02WR

(1) = Speed controllable via Transformer
 (2) = Speed controllable via TRIAC or Transformer
 (3) = Speed controllable via Inverter
 * = No speed control available
 [H] High speed, [ME] Medium speed, [LO] Low speed

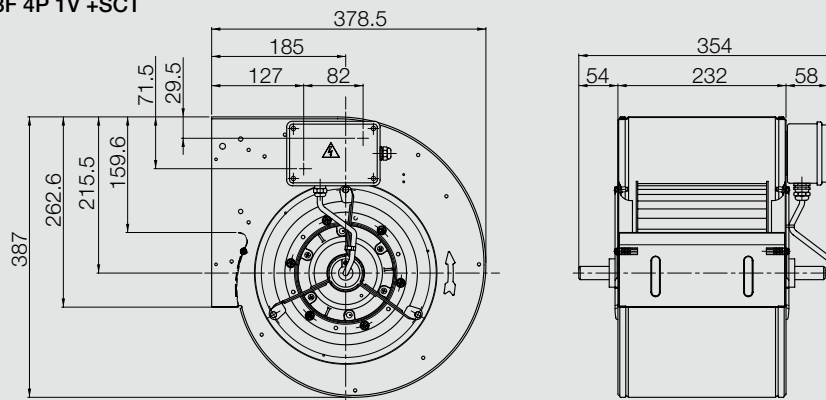
Attention! We suggest to do not use the fan in the grey marked area! The noise ratings given in the performance curves are sound power level L_{WA7} , see „Technical Description“.

Curves



Dimensions in mm, Subject to change.

DDM 9/7 E6G3309 3F 4P 1V +SCT



DDM 9/7 TIGHT

E6G3304 1F 4P 1V +SCT

Technical Data

	Speed control	Curves	Nominal motor power W	Poles -	Phases	Connection	Mains frequency Hz	Max. power consumption W	Max. current consumption A	Speed 1/min
DDM 9/7 TIGHT E6G3304										
1F 4P 1V +SCT	(2)	[J1]	300	4	1~		50	627	2.6	1260

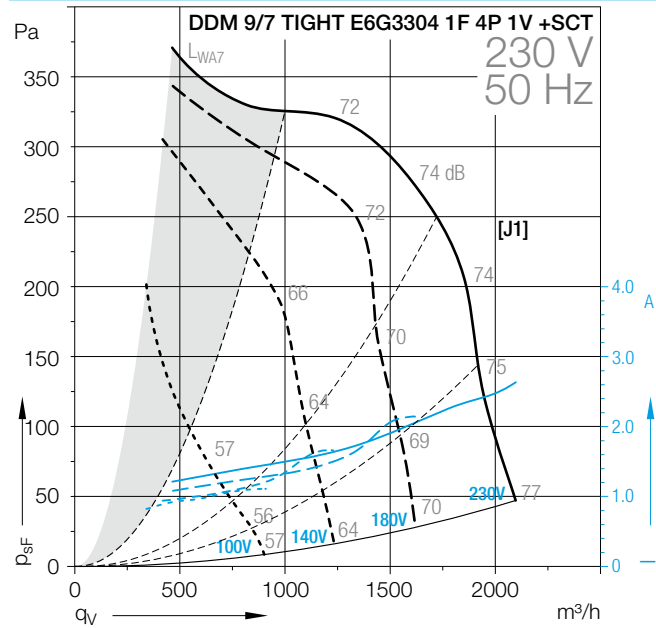
Technical Data

	Operating Capacitor μF	Nominal capacitor voltage V	Motor protection class	Motor thermal class	Thermal protection	Media Temperature max. $^{\circ}\text{C}$	Fan weight kg	Density of media kg/m^3	Installation type (ISO 5801)	Article number
DDM 9/7 TIGHT E6G3304										
1F 4P 1V +SCT	10	450	IP55	F	EXT	40	17	1.2	B	6M02WX

- (1) = Speed controllable via Transformer
- (2) = Speed controllable via TRIAC or Transformer
- (3) = Speed controllable via Inverter
- * = No speed control available
- [HI] High speed, [ME] Medium speed, [LO] Low speed

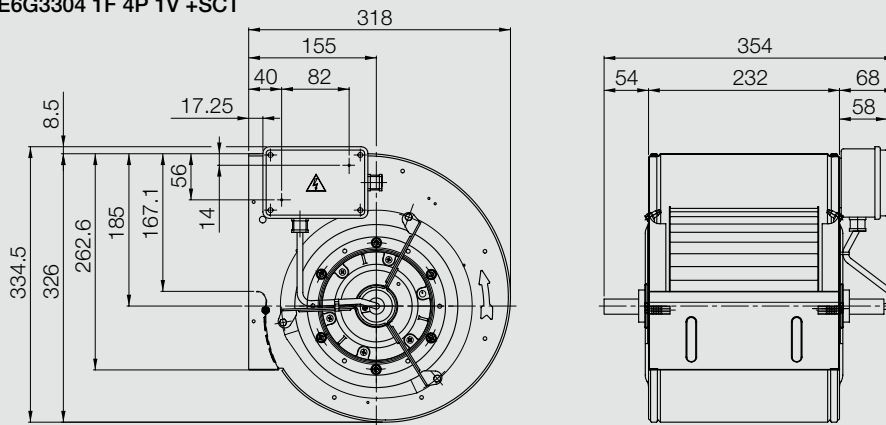
Attention! We suggest to do not use the fan in the grey marked area! The noise ratings given in the performance curves are sound power level L_{WA7} , see „Technical Description“.

Curves



Dimensions in mm, Subject to change.

DDM 9/7 TIGHT E6G3304 1F 4P 1V +SCT



DDM 9/7 TIGHT E6G3405 1F 4P 1V +SCT

Technical Data

DDM 9/7 TIGHT E6G3405	Speed control	Curves	Nominal motor power W	Poles -	Phases	Connection	Mains frequency Hz	Max. power consumption W	Max. current consumption A	Speed 1/min
1F 4P 1V +SCT	(2)	[J3/J4]	420	4	1~		50/60	821	3.6	1320

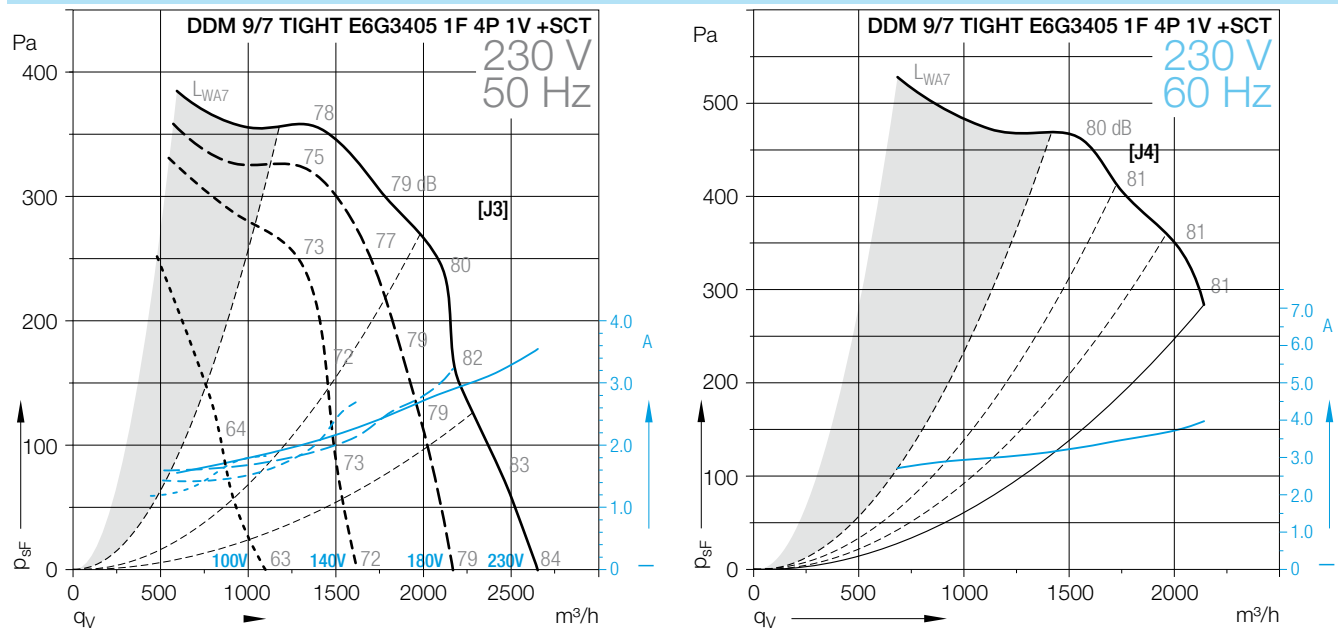
Technical Data

DDM 9/7 TIGHT E6G3405	Operating Capacitor µF	Nominal capacitor voltage V	Motor protection class	Motor thermal class	Thermal protection	Media Temperature max. °C	Fan weight kg	Density of media kg/m³	Installation type (ISO 5801)	Article number
1F 4P 1V +SCT	16	450	IP55	F	EXT	40	16	1.2	B	6M02WY

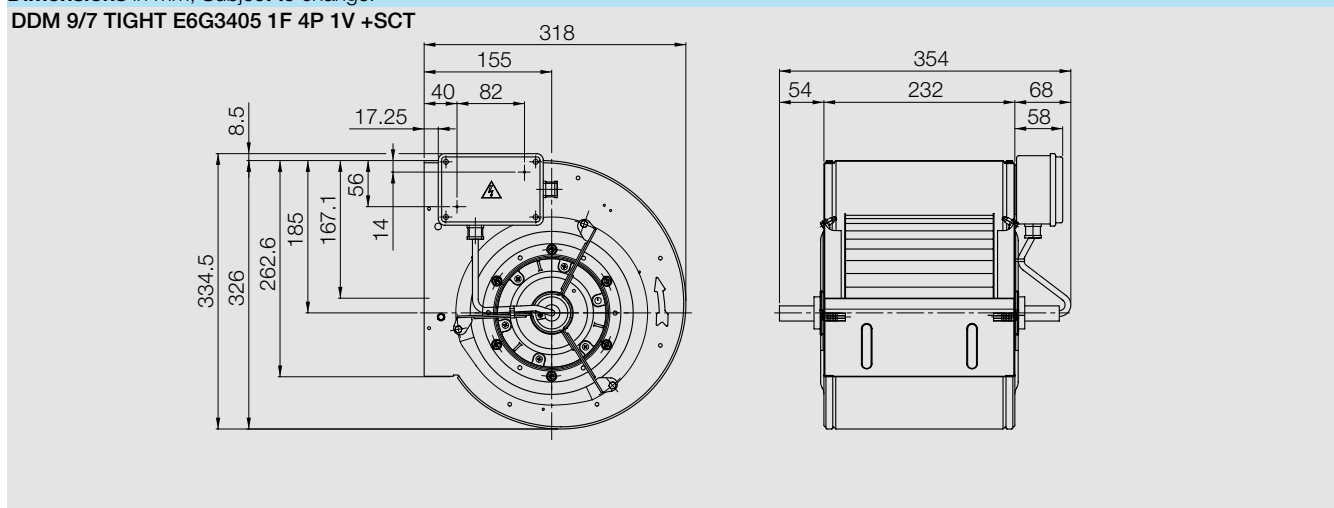
(1) = Speed controllable via Transformer
 (2) = Speed controllable via TRIAC or Transformer
 (3) = Speed controllable via Inverter
 * = No speed control available
 [H] High speed, [ME] Medium speed, [LO] Low speed

Attention! We suggest to do not use the fan in the grey marked area! The noise ratings given in the performance curves are sound power level L_{WA7} , see „Technical Description“.

Curves



Dimensions in mm, Subject to change.



DDM 9/9 E6G3704 1F 4P 1V +SCT

Technical Data

DDM 9/9 E6G3704	Speed control	Curves	Nominal motor power W	Poles	Phases	Connection	Mains frequency Hz	Max. power consumption W	Max. current consumption A	Speed 1/min
1F 4P 1V +SCT	(2)	[K1/K2]	600	4	1~		50/60	1480	6.3	1380

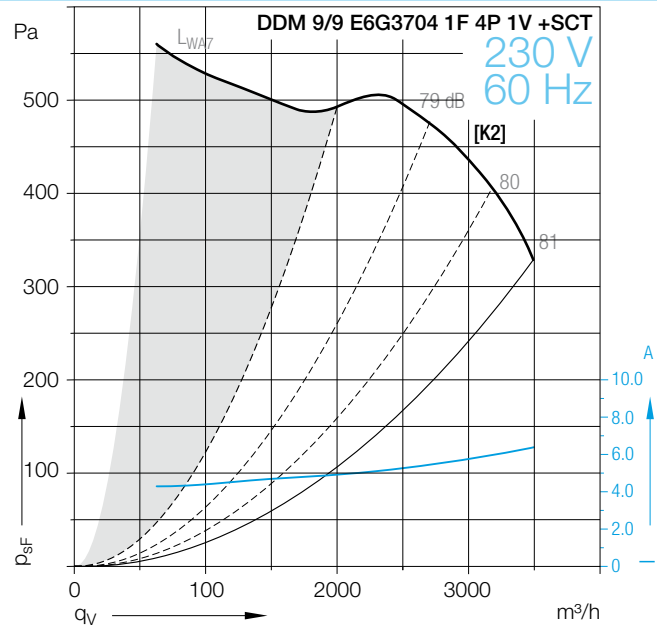
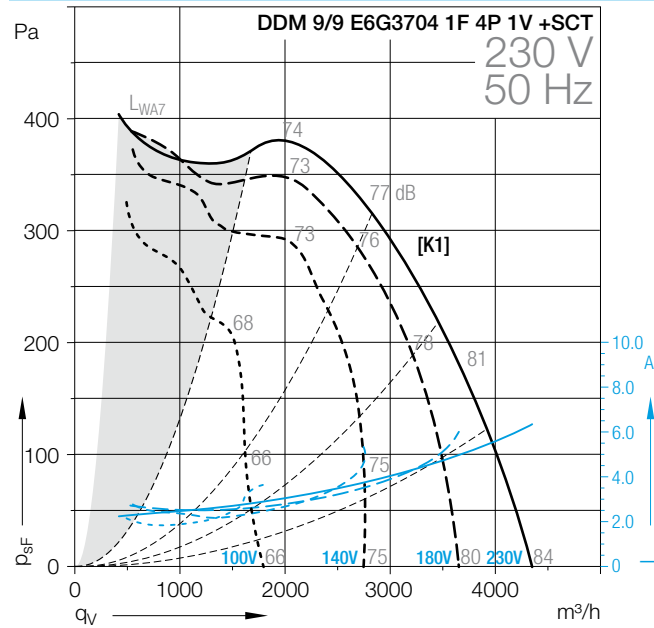
Technical Data

DDM 9/9 E6G3704	Operating Capacitor μF	Nominal capacitor voltage V	Motor protection class	Motor thermal class	Thermal protection	Media Temperature max. $^{\circ}\text{C}$	Fan weight kg	Density of media kg/m^3	Installation type (ISO 5801)	Article number
1F 4P 1V +SCT	25	450	IP55	F	EXT	40	17	1.2	B	6M020Z

(1) = Speed controllable via Transformer
 (2) = Speed controllable via TRIAC or Transformer
 (3) = Speed controllable via Inverter
 * = No speed control available
 [HI] High speed, [ME] Medium speed, [LO] Low speed

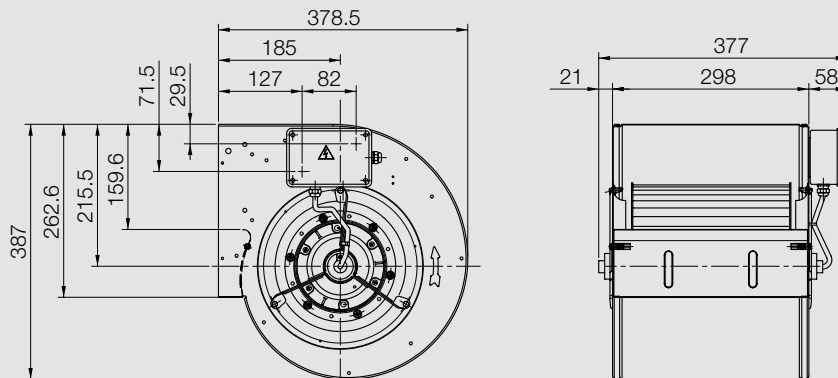
Attention! We suggest to do not use the fan in the grey marked area! The noise ratings given in the performance curves are sound power level L_{WA7} , see „Technical Description“.

Curves



Dimensions in mm, Subject to change.

DDM 9/9 E6G3704 1F 4P 1V +SCT



DDM 9/9 E6G3501 1F 4P 1V +SCT

Technical Data

DDM 9/9 E6G3501	Speed control	Curves	Nominal motor power W	Poles -	Phases	Connection	Mains frequency Hz	Max. power consumption W	Max. current consumption A	Speed 1/min
1F 4P 1V +SCT	*	[B1/B2]	60	2	1~		50/60	170	0.7	2500

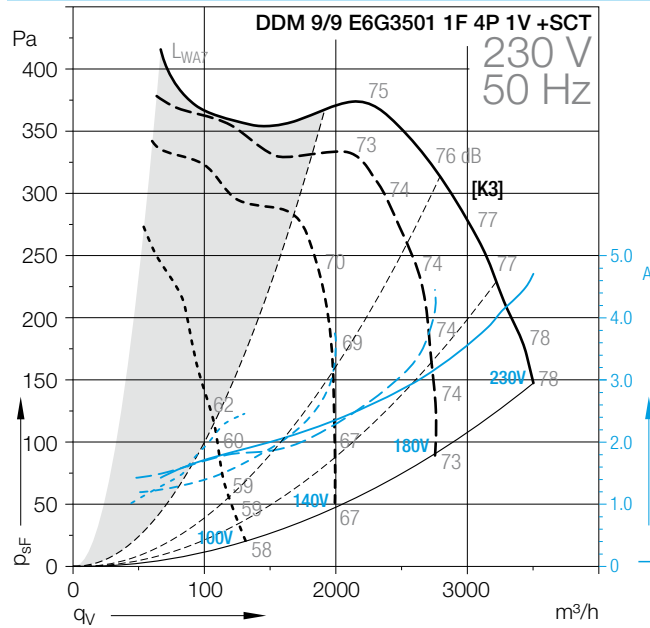
Technical Data

DDM 9/9 E6G3501	Operating Capacitor μF	Nominal capacitor voltage V	Motor protection class	Motor thermal class	Thermal protection	Media Temperature max. °C	Fan weight kg	Density of media kg/m³	Installation type (ISO 5801)	Article number
1F 4P 1V +SCT	4	450	IP32	B	INT	40	5	1.2	B	6M02097

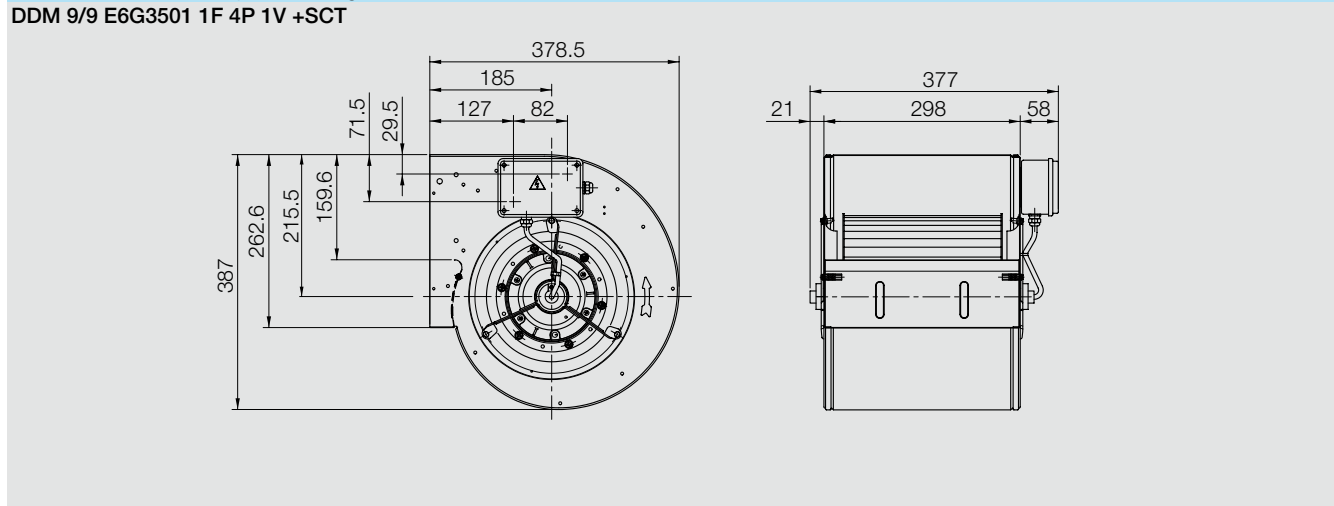
(1) = Speed controllable via Transformer
 (2) = Speed controllable via TRIAC or Transformer
 (3) = Speed controllable via Inverter
 * = No speed control available
 [H] High speed, [ME] Medium speed, [LO] Low speed

Attention! We suggest to do not use the fan in the grey marked area! The noise ratings given in the performance curves are sound power level L_{WA7} , see „Technical Description“.

Curves



Dimensions in mm, Subject to change.



DDM 9/9 E6G2503 1F 4P 1V

Technical Data

DDM 9/9 E6G2503	Speed control	Curves	Nominal motor power W	Poles	Phases	Connection	Mains frequency Hz	Max. power consumption W	Max. current consumption A	Speed 1/min
1F 4P 1V	(2)	[K5/K6]	550	4	1~		50/60	1611	6.8	1400

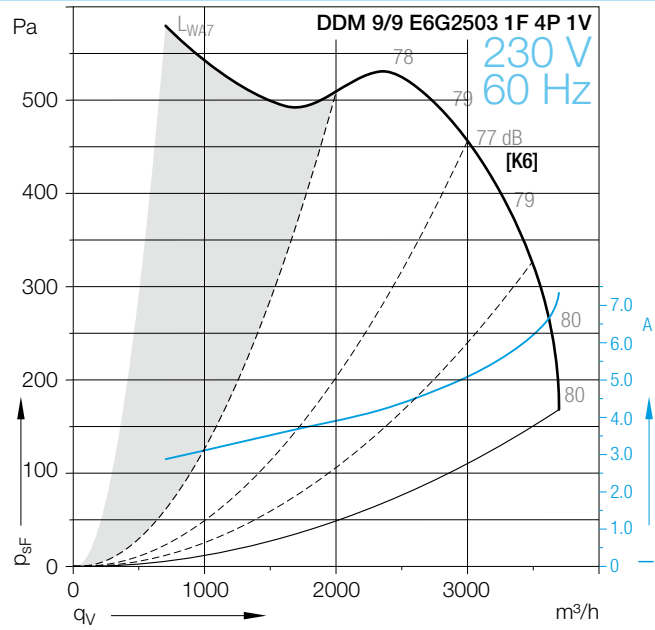
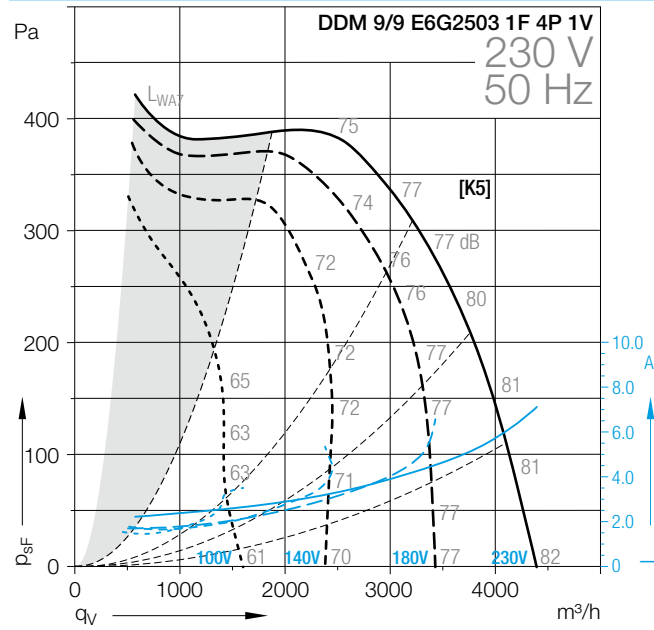
Technical Data

DDM 9/9 E6G2503	Operating Capacitor μF	Nominal capacitor voltage V	Motor protection class	Motor thermal class	Thermal protection	Media Temperature max. $^{\circ}\text{C}$	Fan weight kg	Density of media kg/m^3	Installation type (ISO 5801)	Article number
1F 4P 1V	20	450	IP10	F	EXT	40	17	1.2	B	6M02R8

(1) = Speed controllable via Transformer
 (2) = Speed controllable via TRIAC or Transformer
 (3) = Speed controllable via Inverter
 * = No speed control available
 [HI] High speed, [ME] Medium speed, [LO] Low speed

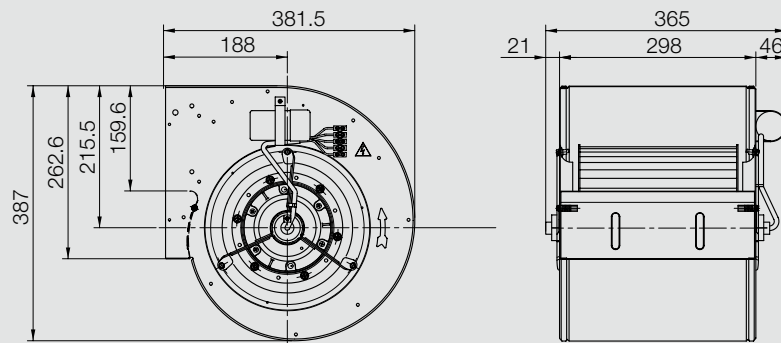
Attention! We suggest to do not use the fan in the grey marked area! The noise ratings given in the performance curves are sound power level L_{WA7} , see „Technical Description“.

Curves



Dimensions in mm, Subject to change.

DDM 9/9 E6G2503 1F 4P 1V +SCT



DDM 9/9 E6G3405 1F 4P 1V +SCT

Technical Data

DDM 9/9 E6G3405	Speed control	Curves	Nominal motor power W	Poles -	Phases	Connection	Mains frequency Hz	Max. power consumption W	Max. current consumption A	Speed 1/min
1F 4P 1V +SCT	(2)	[K7]	420	4	1~		50	920	3.6	1320

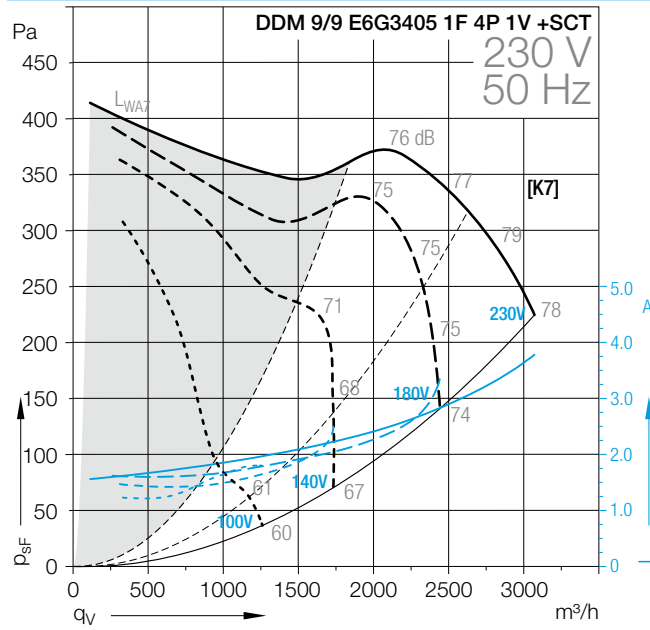
Technical Data

DDM 9/9 E6G3405	Operating Capacitor µF	Nominal capacitor voltage V	Motor protection class	Motor thermal class	Thermal protection	Media Temperature max. °C	Fan weight kg	Density of media kg/m³	Installation type (ISO 5801)	Article number
1F 4P 1V +SCT	16	450	IP55	F	EXT	40	17	1.2	B	6M02XN

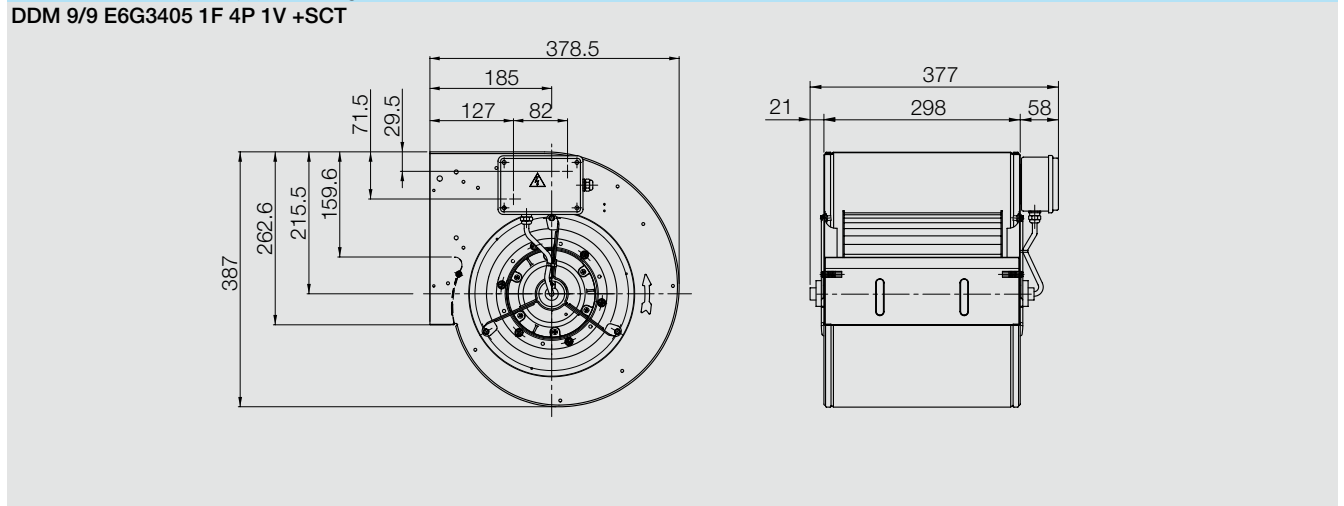
(1) = Speed controllable via Transformer
 (2) = Speed controllable via TRIAC or Transformer
 (3) = Speed controllable via Inverter
 * = No speed control available
 [H] High speed, [ME] Medium speed, [LO] Low speed

Attention! We suggest to do not use the fan in the grey marked area! The noise ratings given in the performance curves are sound power level L_{WA7} , see „Technical Description“.

Curves



Dimensions in mm, Subject to change.



DDM 9/9

E6G3304 1F 4P 1V +SCT

Technical Data

DDM 9/9 E6G3304	Speed control	Curves	Nominal motor power W	Poles	Phases	Connection	Mains frequency Hz	Max. power consumption W	Max. current consumption A	Speed 1/min
1F 4P 1V +SCT	(2)	[K9]	300	4	1~		50	354	2.5	1260

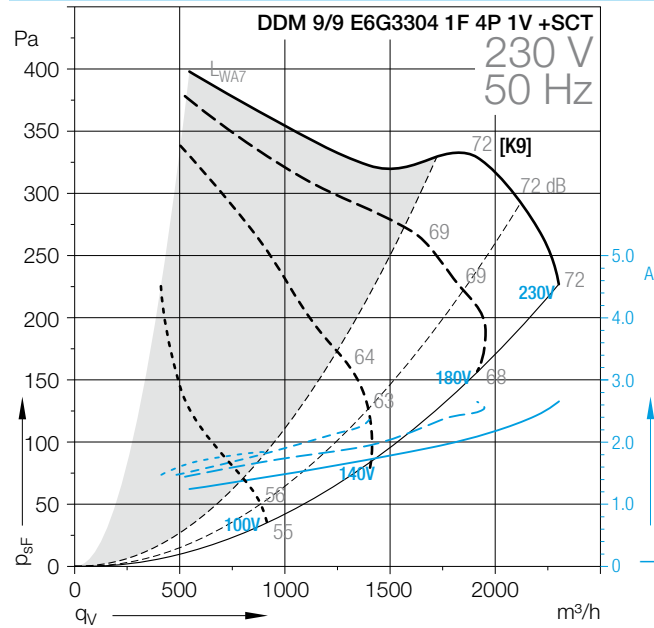
Technical Data

DDM 9/9 E6G3304	Operating Capacitor μF	Nominal capacitor voltage V	Motor protection class	Motor thermal class	Thermal protection	Media Temperature max. $^{\circ}\text{C}$	Fan weight kg	Density of media kg/m^3	Installation type (ISO 5801)	Article number
1F 4P 1V +SCT	10	450	IP55	F	EXT	40	16	1.2	B	6M02K1

- (1) = Speed controllable via Transformer
- (2) = Speed controllable via TRIAC or Transformer
- (3) = Speed controllable via Inverter
- * = No speed control available
- [HI] High speed, [ME] Medium speed, [LO] Low speed

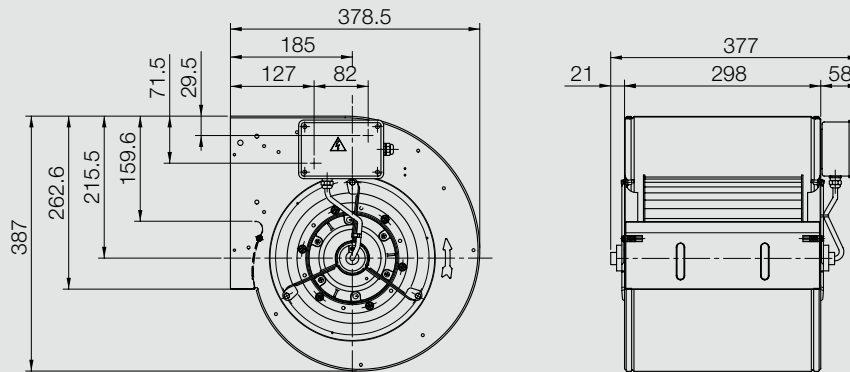
Attention! We suggest to do not use the fan in the grey marked area! The noise ratings given in the performance curves are sound power level L_{WA7} , see „Technical Description“.

Curves



Dimensions in mm, Subject to change.

DDM 9/9 E6G3304 1F 4P 1V +SCT



DDM 9/9 E6G3502 1F 4P 3V +SCT

Technical Data

DDM 9/9 E6G3502	Speed control	Curves	Nominal motor power W	Poles -	Phases	Connection	Mains frequency Hz	Max. power consumption W	Max. current consumption A	Speed 1/min
1F 4P 3V +SCT	*	[K11]	350	4	1~		50	734	3	1250

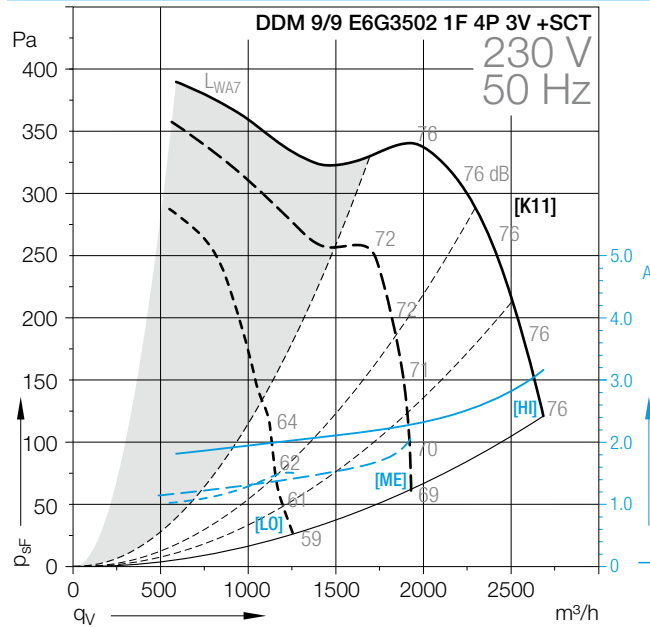
Technical Data

DDM 9/9 E6G3502	Operating Capacitor µF	Nominal capacitor voltage V	Motor protection class	Motor thermal class	Thermal protection	Media Temperature max. °C	Fan weight kg	Density of media kg/m³	Installation type (ISO 5801)	Article number
1F 4P 3V +SCT	12.5	450	IP55	F	EXT	40	16	1.2	B	6M02W0

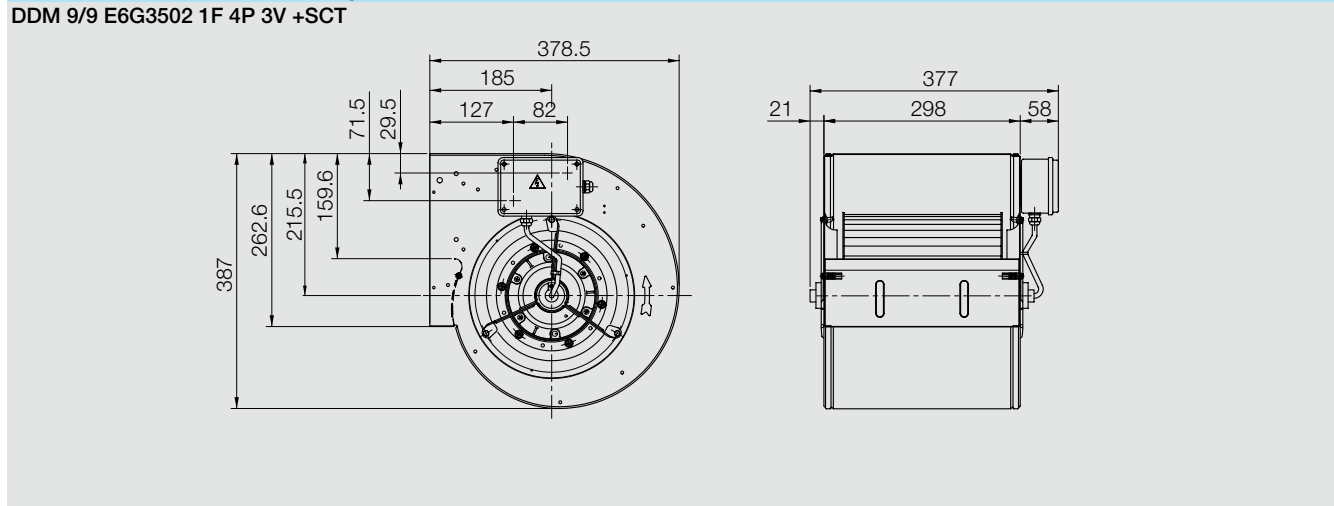
(1) = Speed controllable via Transformer
 (2) = Speed controllable via TRIAC or Transformer
 (3) = Speed controllable via Inverter
 * = No speed control available
 [HI] High speed, [ME] Medium speed, [LO] Low speed

Attention! We suggest to do not use the fan in the grey marked area! The noise ratings given in the performance curves are sound power level L_{WA7} , see „Technical Description“.

Curves



Dimensions in mm, Subject to change.



DDM 9/9 E6G2505 1F 4P 3V

Technical Data

DDM 9/9 E6G2505	Speed control	Curves	Nominal motor power W	Poles	Phases	Connection	Mains frequency Hz	Max. power consumption W	Max. current consumption A	Speed 1/min
1F 4P 3V	*	[K13/K14]	550	4	1~		50/60	1644	7.1	1400

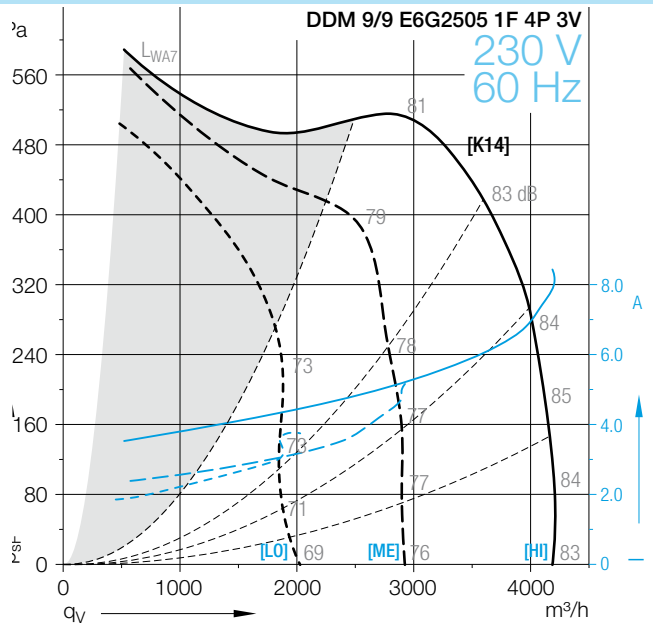
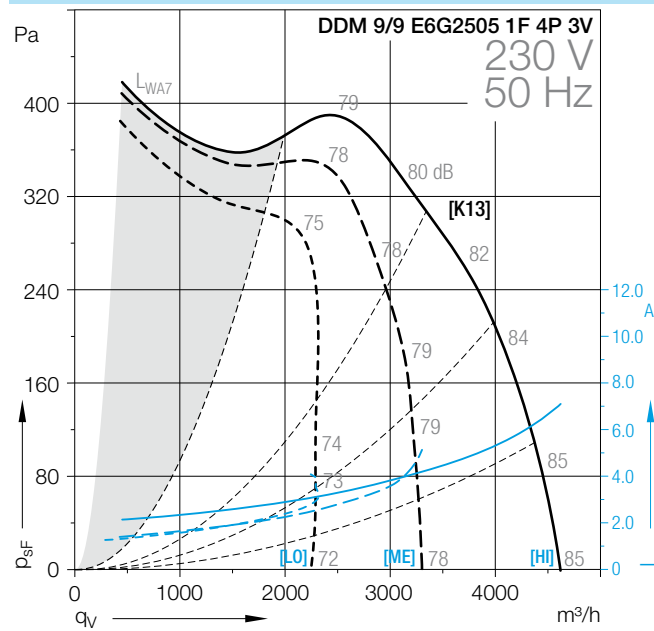
Technical Data

DDM 9/9 E6G2505	Operating Capacitor μF	Nominal capacitor voltage V	Motor protection class	Motor thermal class	Thermal protection	Media Temperature max. $^{\circ}\text{C}$	Fan weight kg	Density of media kg/m^3	Installation type (ISO 5801)	Article number
1F 4P 3V	25	450	IP10	F	EXT	40	18	1.2	B	6M02007

(1) = Speed controllable via Transformer
 (2) = Speed controllable via TRIAC or Transformer
 (3) = Speed controllable via Inverter
 * = No speed control available
 [HI] High speed, [ME] Medium speed, [LO] Low speed

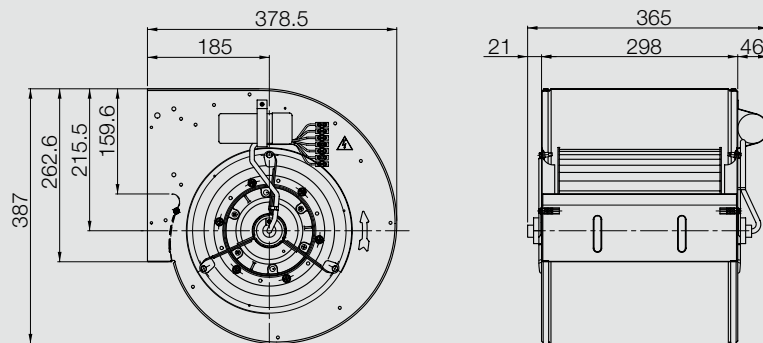
Attention! We suggest to do not use the fan in the grey marked area! The noise ratings given in the performance curves are sound power level L_{WA7} , see „Technical Description“.

Curves



Dimensions in mm, Subject to change.

DDM 9/9 E6G2505 1F 4P 3V



DDM 9/9 E6G3603 3F 4P 1V +SCT

Technical Data

DDM 9/9 E6G3603	Speed control	Curves	Nominal motor power W	Poles -	Phases	Connection	Mains frequency Hz	Max. power consumption W	Max. current consumption A	Speed 1/min
3F 4P 1V +SCT	*	[K15/K16]	550	4	3~	Δ/Y	50/60	1482	2.5	1410

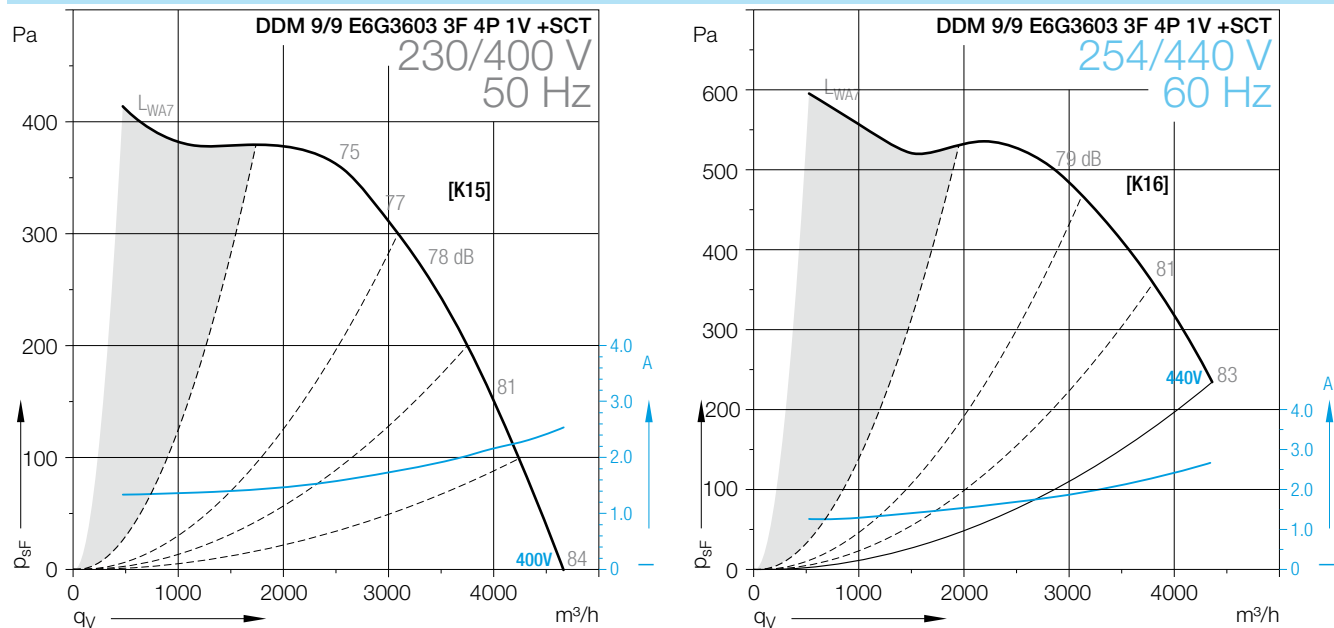
Technical Data

DDM 9/9 E6G3603	Operating Capacitor μF	Nominal capacitor voltage V	Motor protection class	Motor thermal class	Thermal protection	Media Temperature max. °C	Fan weight kg	Density of media kg/m³	Installation type (ISO 5801)	Article number
3F 4P 1V +SCT			IP55	F	EXT	40	16	1.2	B	6M028A

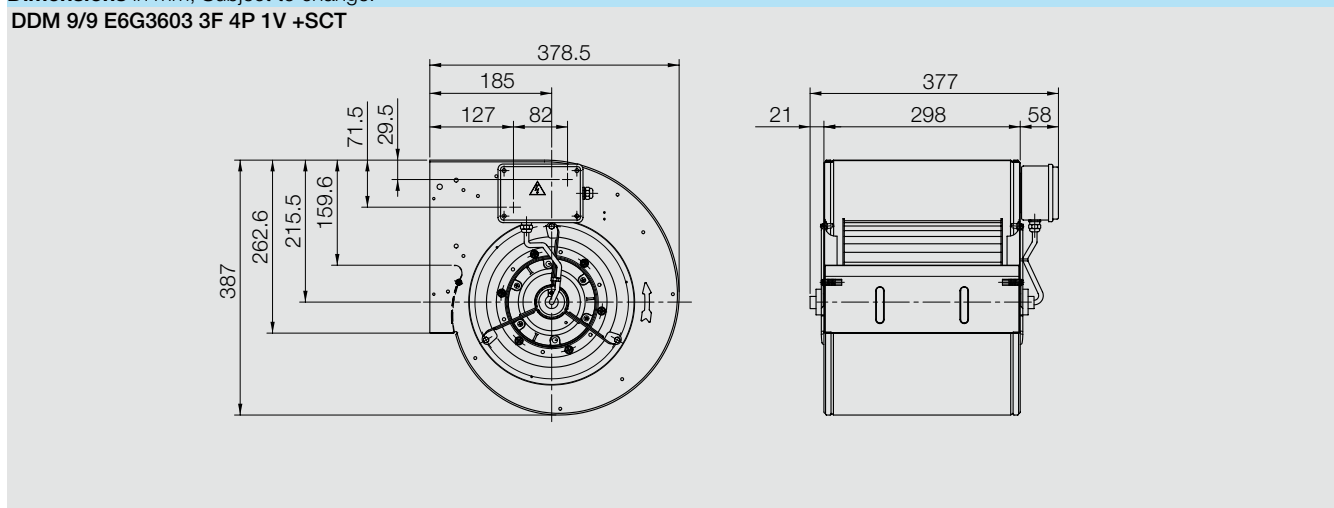
(1) = Speed controllable via Transformer
 (2) = Speed controllable via TRIAC or Transformer
 (3) = Speed controllable via Inverter
 * = No speed control available
 [H] High speed, [ME] Medium speed, [LO] Low speed

Attention! We suggest to do not use the fan in the grey marked area! The noise ratings given in the performance curves are sound power level L_{WA7} , see „Technical Description“.

Curves



Dimensions in mm, Subject to change.



DDM 9/9 E6G3402 1F 6P 1V +SCT

Technical Data

DDM 9/9 E6G3402	Speed control	Curves	Nominal motor power W	Poles	Phases	Connection	Mains frequency Hz	Max. power consumption W	Max. current consumption A	Speed 1/min
1F 6P 1V +SCT	(2)	[K17/K18]	250	6	1~		50/60	486	2.2	800

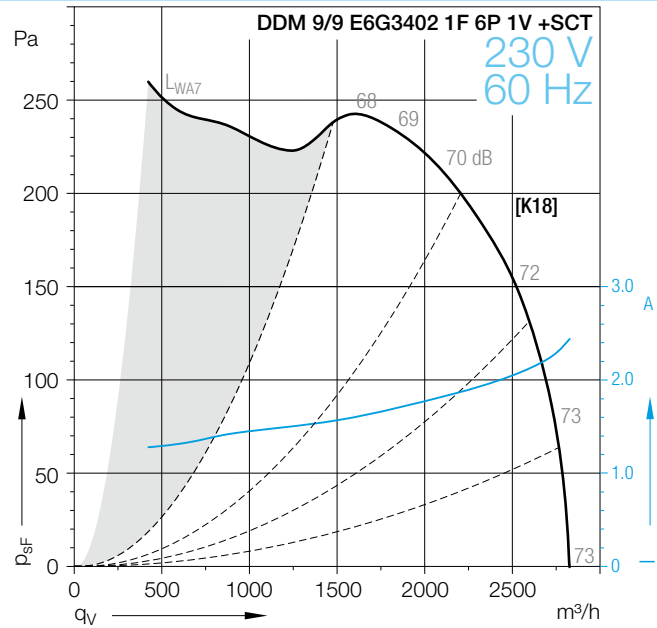
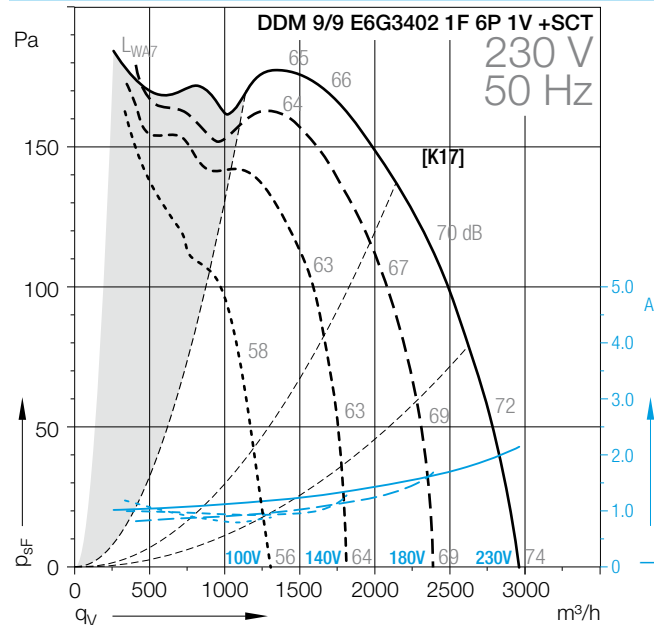
Technical Data

DDM 9/9 E6G3402	Operating Capacitor μF	Nominal capacitor voltage V	Motor protection class	Motor thermal class	Thermal protection	Media Temperature max. $^{\circ}\text{C}$	Fan weight kg	Density of media kg/m^3	Installation type (ISO 5801)	Article number
1F 6P 1V +SCT	12.5	450	IP55	F	EXT	70	16	1.2	B	6M02NM

(1) = Speed controllable via Transformer
 (2) = Speed controllable via TRIAC or Transformer
 (3) = Speed controllable via Inverter
 * = No speed control available
 [HI] High speed, [ME] Medium speed, [LO] Low speed

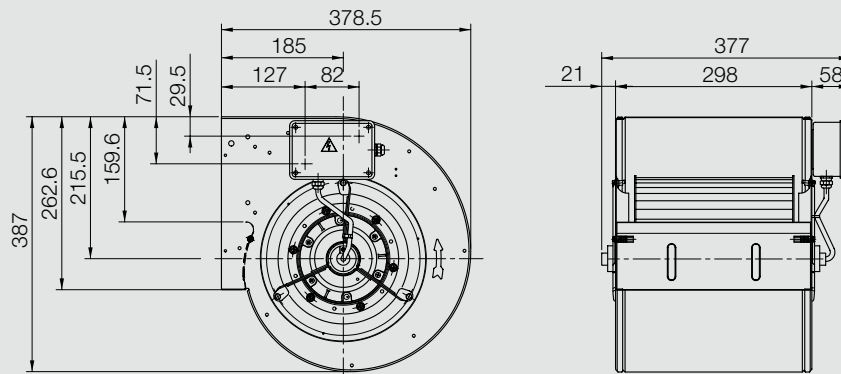
Attention! We suggest to do not use the fan in the grey marked area! The noise ratings given in the performance curves are sound power level L_{WA7} , see „Technical Description“.

Curves



Dimensions in mm, Subject to change.

DDM 9/9 E6G3402 1F 6P 1V +SCT



DDM 9/9 E6G3303 1F 6P 1V +SCT

Technical Data

DDM 9/9 E6G3303	Speed control	Curves	Nominal motor power W	Poles -	Phases	Connection	Mains frequency Hz	Max. power consumption W	Max. current consumption A	Speed 1/min
1F 6P 1V +SCT	(2)	[K19/K20]	200	6	1~		50/60	407	1.8	840

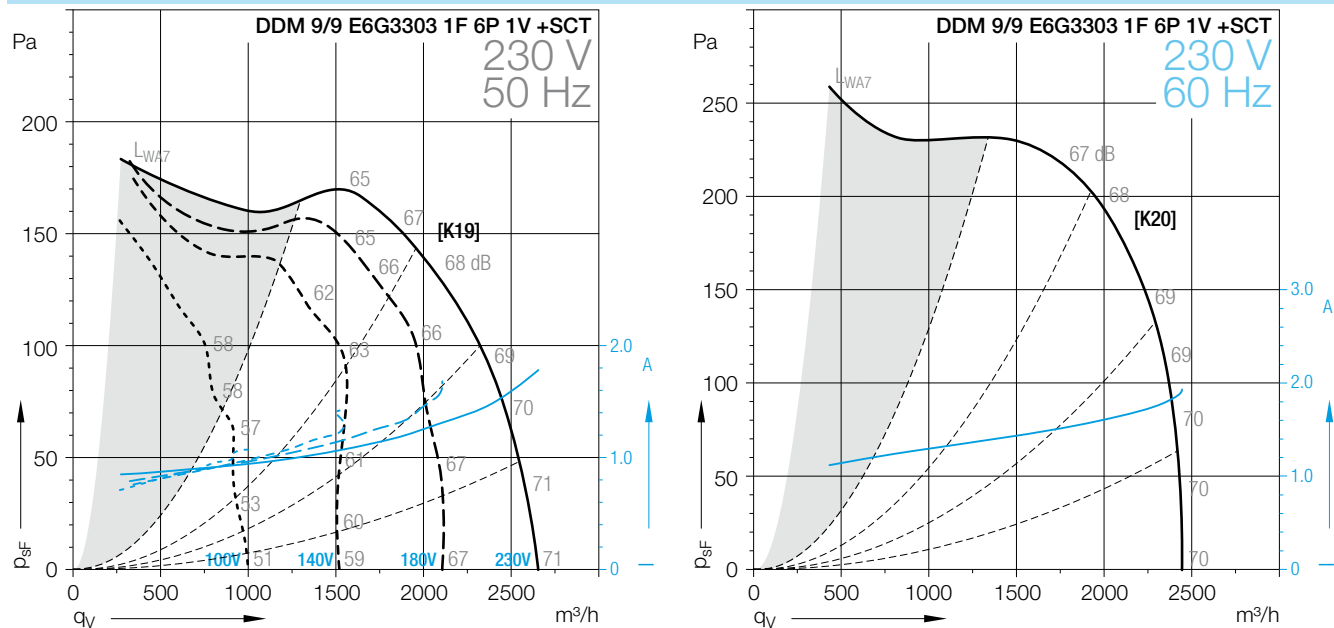
Technical Data

DDM 9/9 E6G3303	Operating Capacitor μF	Nominal capacitor voltage V	Motor protection class	Motor thermal class	Thermal protection	Media Temperature max. °C	Fan weight kg	Density of media kg/m³	Installation type (ISO 5801)	Article number
1F 6P 1V +SCT	8	450	IP55	F	EXT	60	16	1.2	B	6M02M2

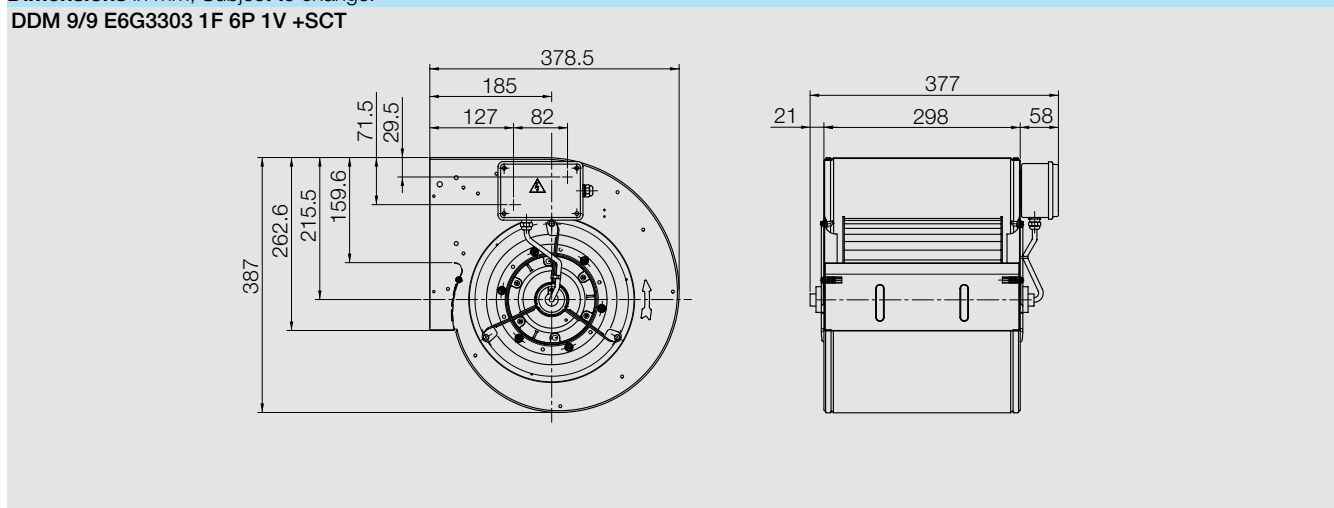
(1) = Speed controllable via Transformer
 (2) = Speed controllable via TRIAC or Transformer
 (3) = Speed controllable via Inverter
 * = No speed control available
 [H] High speed, [ME] Medium speed, [LO] Low speed

Attention! We suggest to do not use the fan in the grey marked area! The noise ratings given in the performance curves are sound power level L_{WA7} , see „Technical Description“.

Curves



Dimensions in mm, Subject to change.



DDM 9/9 E6G3306 1F 6P 3V +SCT

Technical Data

DDM 9/9 E6G3306	Speed control	Curves	Nominal motor power W	Poles	Phases	Connection	Mains frequency Hz	Max. power consumption W	Max. current consumption A	Speed 1/min
1F 6P 3V +SCT	*	[K21/K22]	200	6	1~		50/60	478	2	830

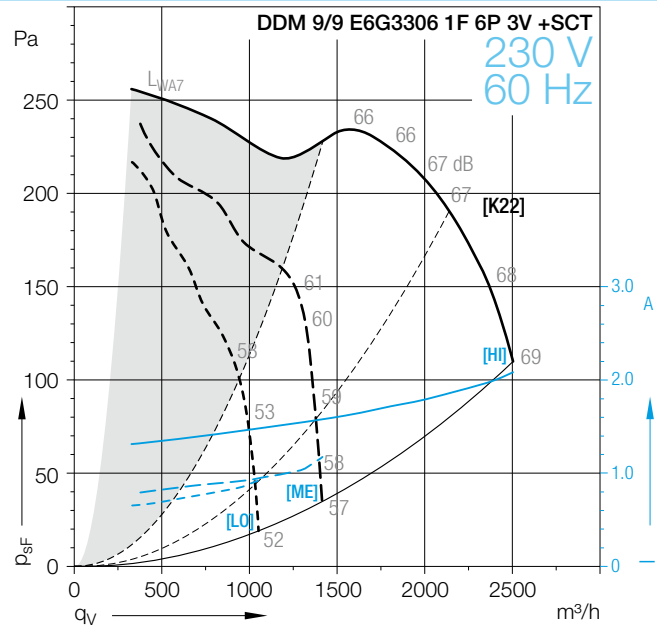
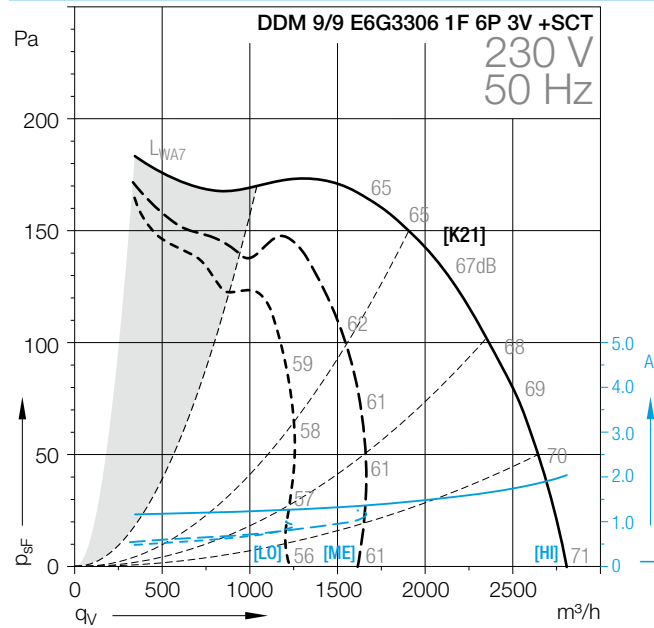
Technical Data

DDM 9/9 E6G3306	Operating Capacitor μF	Nominal capacitor voltage V	Motor protection class	Motor thermal class	Thermal protection	Media Temperature max. $^{\circ}C$	Fan weight kg	Density of media kg/m^3	Installation type (ISO 5801)	Article number
1F 6P 3V +SCT	10	450	IP44	F	EXT	40	14	1.2	B	6M02WU

(1) = Speed controllable via Transformer
 (2) = Speed controllable via TRIAC or Transformer
 (3) = Speed controllable via Inverter
 * = No speed control available
 [HI] High speed, [ME] Medium speed, [LO] Low speed

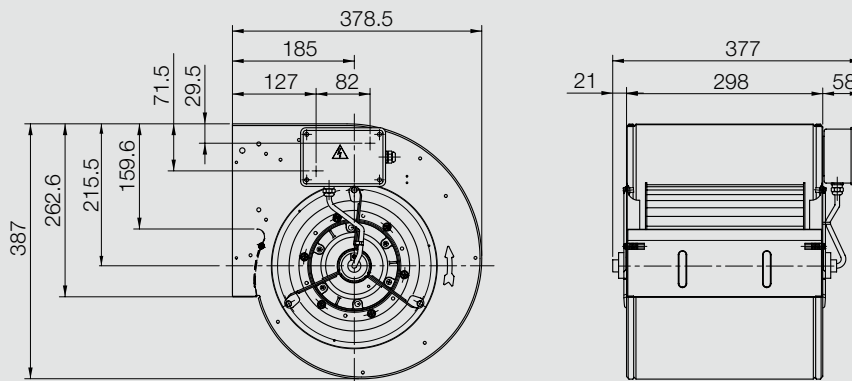
Attention! We suggest to do not use the fan in the grey marked area! The noise ratings given in the performance curves are sound power level L_{WA7} , see „Technical Description“.

Curves



Dimensions in mm, Subject to change.

DDM 9/9 E6G3306 1F 4P 3V +SCT



DDM 9/9 E6G3403 3F 6P 1V +SCT

Technical Data

DDM 9/9 E6G3403	Speed control	Curves	Nominal motor power W	Poles -	Phases	Connection	Mains frequency Hz	Max. power consumption W	Max. current consumption A	Speed 1/min
3F 6P 1V +SCT	*	[K23/K24]	245	6	3~	Δ/Y	50/60	552	1.2	870

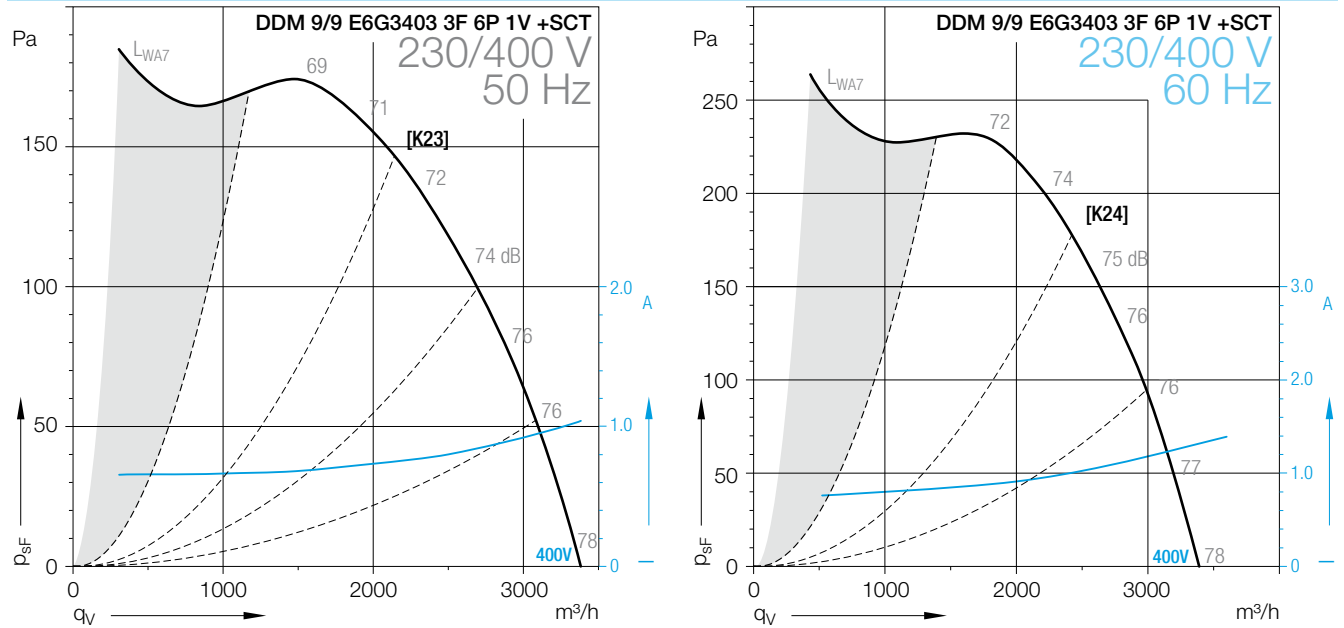
Technical Data

DDM 9/9 E6G3403	Operating Capacitor μF	Nominal capacitor voltage V	Motor protection class	Motor thermal class	Thermal protection	Media Temperature max. °C	Fan weight kg	Density of media kg/m³	Installation type (ISO 5801)	Article number
3F 6P 1V +SCT			IP44	F	EXT	40	19	1.2	B	6M02G2

(1) = Speed controllable via Transformer
 (2) = Speed controllable via TRIAC or Transformer
 (3) = Speed controllable via Inverter
 * = No speed control available
 [H] High speed, [ME] Medium speed, [LO] Low speed

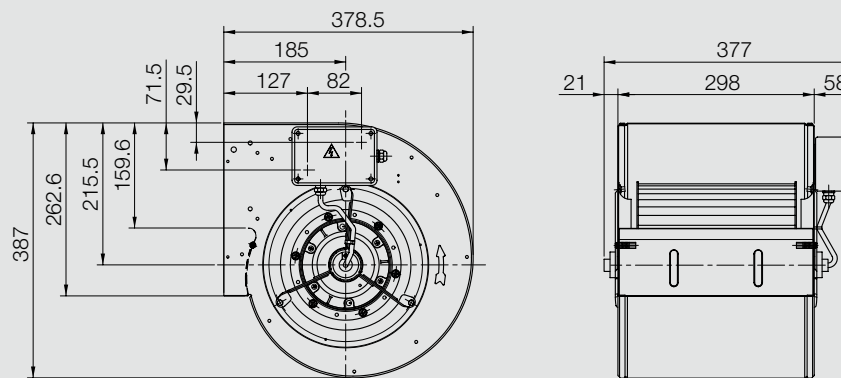
Attention! We suggest to do not use the fan in the grey marked area! The noise ratings given in the performance curves are sound power level L_{WA7} , see „Technical Description“.

Curves



Dimensions in mm, Subject to change.

DDM 9/9 E6G3403 3F 6P 1V +SCT



DDM 9/9 TIGHT

E6G3405 1F 4P 1V +SCT

Technical Data

	Speed control	Curves	Nominal motor power W	Poles —	Phases	Connection	Mains frequency Hz	Max. power consumption W	Max. current consumption A	Speed 1/min
DDM 9/9 TIGHT E6G3405										
1F 4P 1V +SCT	(2)	[L1]	420	4	1~		50	865	3.8	1320

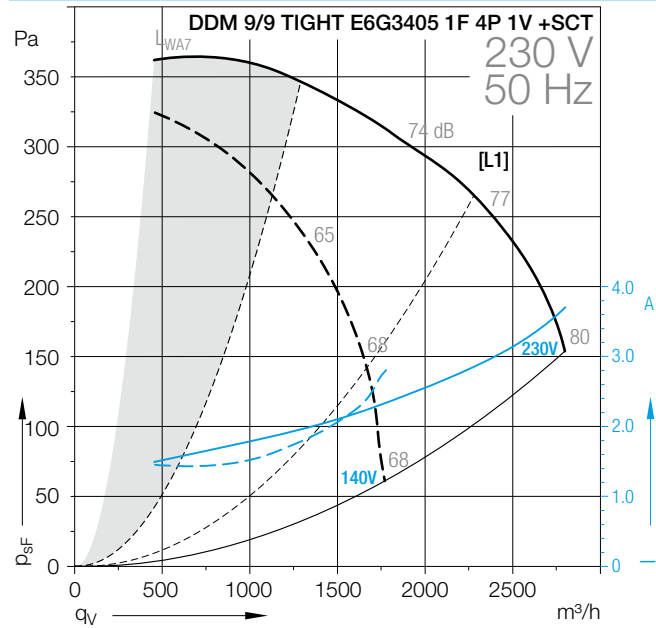
Technical Data

	Operating Capacitor µF	Nominal capacitor voltage V	Motor protection class	Motor thermal class	Thermal protection	Media Temperature max. °C	Fan weight kg	Density of media kg/m³	Installation type (ISO 5801)	Article number
DDM 9/9 TIGHT E6G3405										
1F 4P 1V +SCT	16	450	IP55	F	EXT	40	15	1.2	B	6M02L8

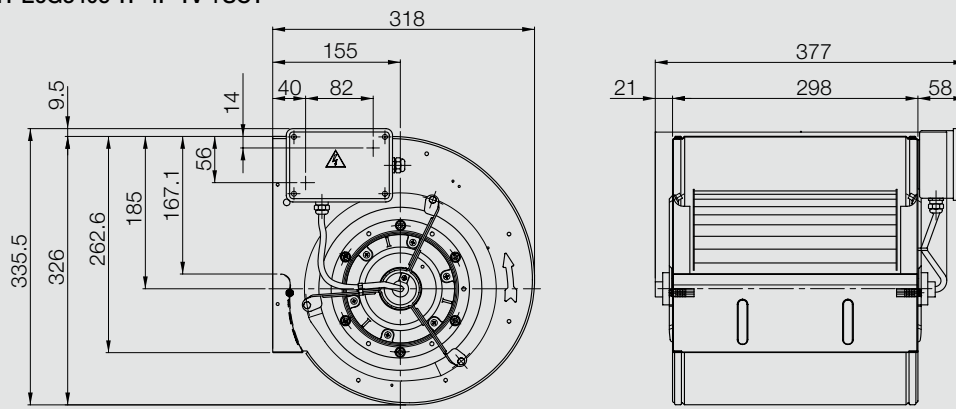
- (1) = Speed controllable via Transformer
- (2) = Speed controllable via TRIAC or Transformer
- (3) = Speed controllable via Inverter
- * = No speed control available
- [HI] High speed, [ME] Medium speed, [LO] Low speed

Attention! We suggest to do not use the fan in the grey marked area! The noise ratings given in the performance curves are sound power level L_{WA7} , see „Technical Description“.

Curves



Dimensions in mm, Subject to change. DDM 9/9 TIGHT E6G3405 1F 4P 1V +SCT



DDM 10/8

E6G3704 1F 4P 1V +SCT

Technical Data

DDM 10/8 E6G3704	Speed control	Curves	Nominal motor power W	Poles -	Phases	Connection	Mains frequency Hz	Max. power consumption W	Max. current consumption A	Speed 1/min
1F 4P 1V +SCT	(2)	[M1]	600	4	1~		50	1510	6.4	1380

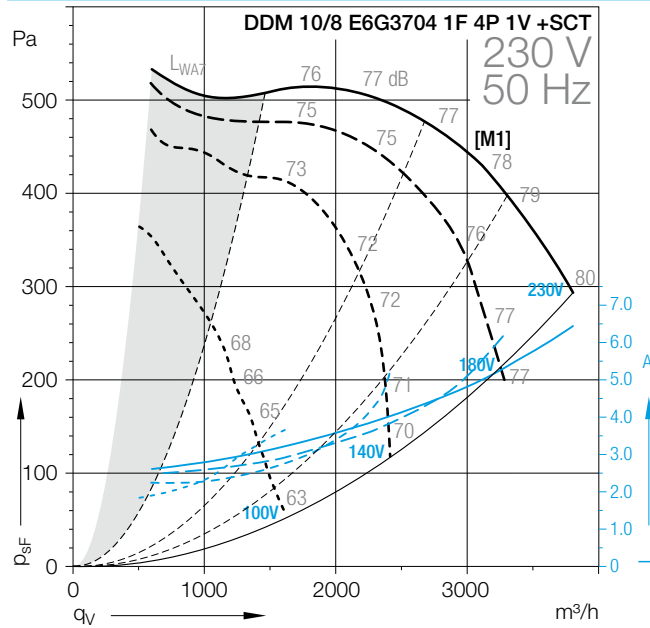
Technical Data

DDM 10/8 E6G3704	Operating Capacitor µF	Nominal capacitor voltage V	Motor protection class	Motor thermal class	Thermal protection	Media Temperature max. °C	Fan weight kg	Density of media kg/m³	Installation type (ISO 5801)	Article number
1F 4P 1V +SCT	25	450	IP55	F	EXT	40	23	1.2	B	610220

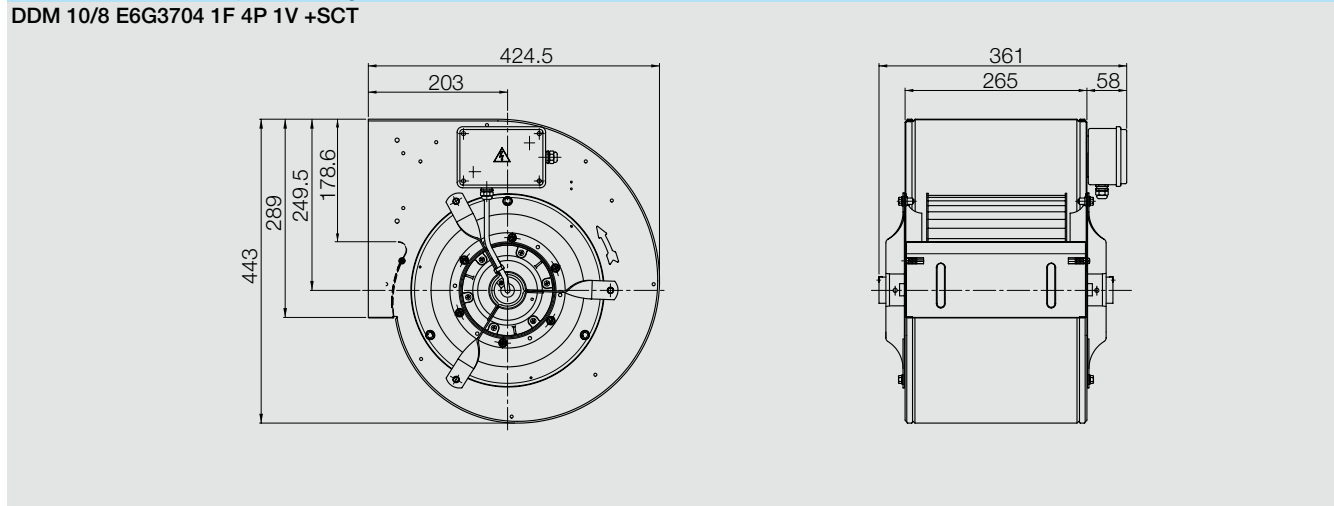
(1) = Speed controllable via Transformer
 (2) = Speed controllable via TRIAC or Transformer
 (3) = Speed controllable via Inverter
 * = No speed control available
 [H] High speed, [ME] Medium speed, [LO] Low speed

Attention! We suggest to do not use the fan in the grey marked area! The noise ratings given in the performance curves are sound power level L_{WA7} , see „Technical Description“.

Curves



Dimensions in mm, Subject to change.



DDM 10/8

E6G3604 1F 4P 1V +SCT

Technical Data

DDM 10/8 E6G3604	Speed control	Curves	Nominal motor power W	Poles	Phases	Connection	Mains frequency Hz	Max. power consumption W	Max. current consumption A	Speed 1/min
1F 4P 1V +SCT	(2)	[M3]	550	4	1~		50	1061	4.6	1220

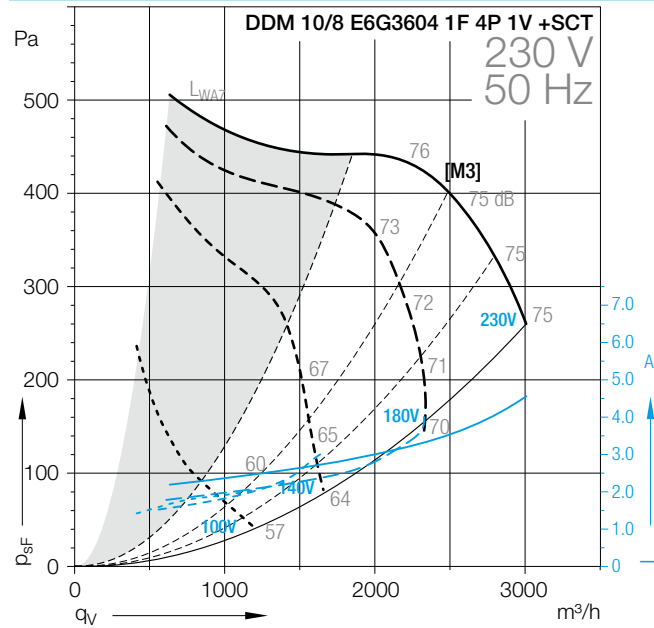
Technical Data

DDM 10/8 E6G3604	Operating Capacitor μF	Nominal capacitor voltage V	Motor protection class	Motor thermal class	Thermal protection	Media Temperature max. $^{\circ}\text{C}$	Fan weight kg	Density of media kg/m^3	Installation type (ISO 5801)	Article number
1F 4P 1V +SCT	16	450	IP55	F	EXT	40	20	1.2	B	6M02X4

(1) = Speed controllable via Transformer
 (2) = Speed controllable via TRIAC or Transformer
 (3) = Speed controllable via Inverter
 * = No speed control available
 [HI] High speed, [ME] Medium speed, [LO] Low speed

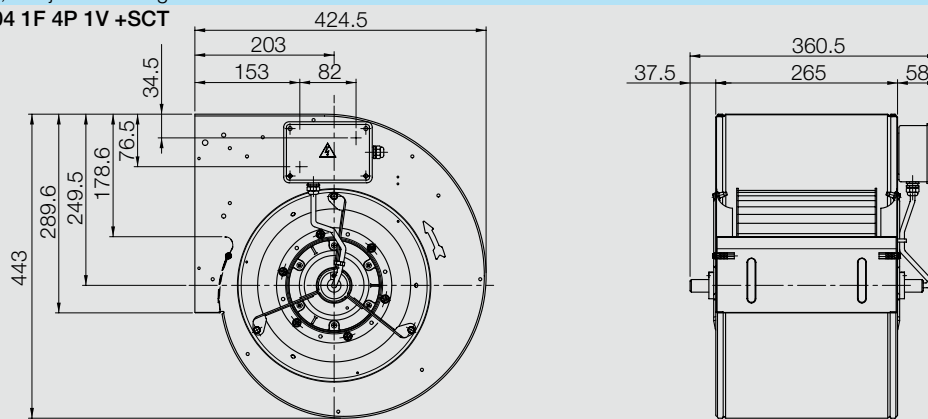
Attention! We suggest to do not use the fan in the grey marked area! The noise ratings given in the performance curves are sound power level L_{WA7} , see „Technical Description“.

Curves



Dimensions in mm, Subject to change.

DDM 10/8 E6G3604 1F 4P 1V +SCT



DDM 10/8

E6G2503 1F 4P 1V

Technical Data

DDM 10/8 E6G2503	Speed control	Curves	Nominal motor power W	Poles -	Phases	Connection	Mains frequency Hz	Max. power consumption W	Max. current consumption A	Speed 1/min
1F 4P 1V	(2)	[M5]	550	4	1~		50	1645	6.7	1400

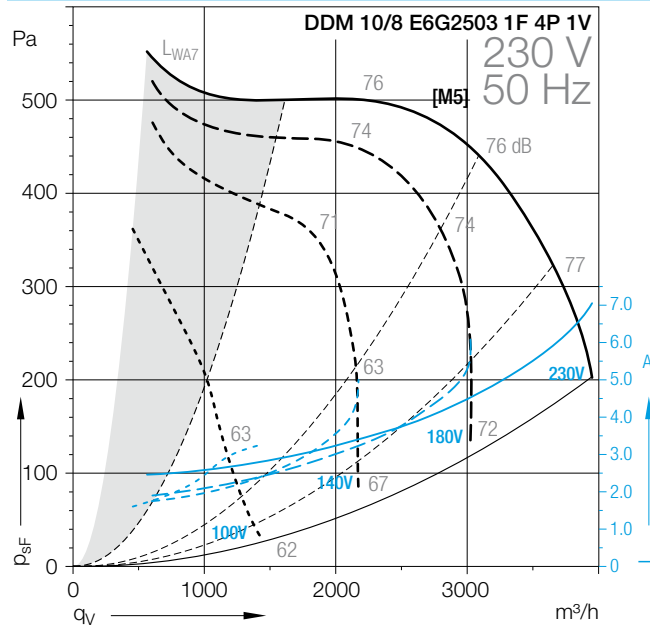
Technical Data

DDM 10/8 E6G2503	Operating Capacitor µF	Nominal capacitor voltage V	Motor protection class	Motor thermal class	Thermal protection	Media Temperature max. °C	Fan weight kg	Density of media kg/m³	Installation type (ISO 5801)	Article number
1F 4P 1V	20	450	IP10	F	EXT	40	18	1.2	B	6M025N

(1) = Speed controllable via Transformer
 (2) = Speed controllable via TRIAC or Transformer
 (3) = Speed controllable via Inverter
 * = No speed control available
 [H] High speed, [ME] Medium speed, [LO] Low speed

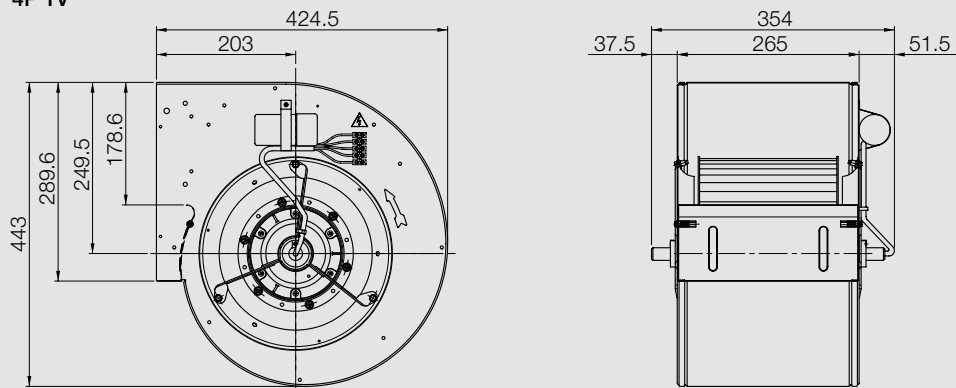
Attention! We suggest to do not use the fan in the grey marked area! The noise ratings given in the performance curves are sound power level L_{WA7} , see „Technical Description“.

Curves



Dimensions in mm, Subject to change.

DDM 10/8 E6G2503 1F 4P 1V



DDM 10/8

E6G2701 1F 4P 3V

Technical Data

DDM 10/8 E6G2701	Speed control	Curves	Nominal motor power W	Poles	Phases	Connection	Mains frequency Hz	Max. power consumption W	Max. current consumption A	Speed 1/min
1F 4P 3V	*	[M7]	550	4	1~		50	1422	5.9	1380

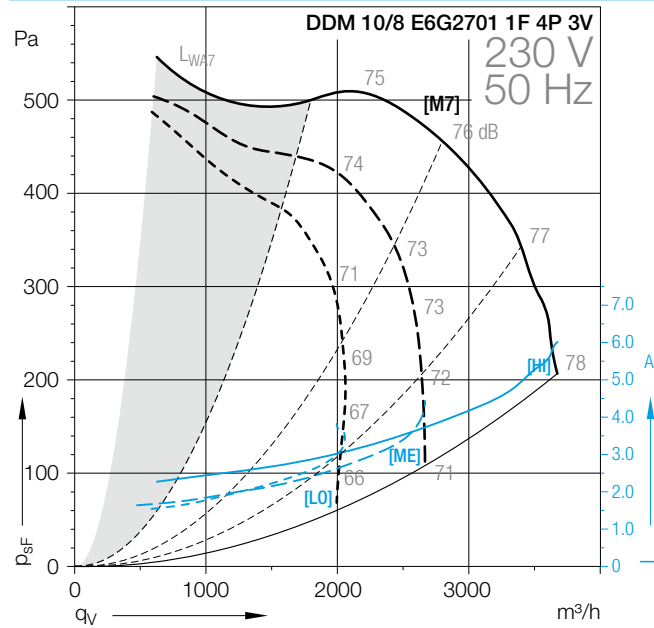
Technical Data

DDM 10/8 E6G2701	Operating Capacitor μF	Nominal capacitor voltage V	Motor protection class	Motor thermal class	Thermal protection	Media Temperature max. $^{\circ}\text{C}$	Fan weight kg	Density of media kg/m^3	Installation type (ISO 5801)	Article number
1F 4P 3V	25	450	IP10	F	EXT	40	18	1.2	B	61025P

(1) = Speed controllable via Transformer
 (2) = Speed controllable via TRIAC or Transformer
 (3) = Speed controllable via Inverter
 * = No speed control available
 [HI] High speed, [ME] Medium speed, [LO] Low speed

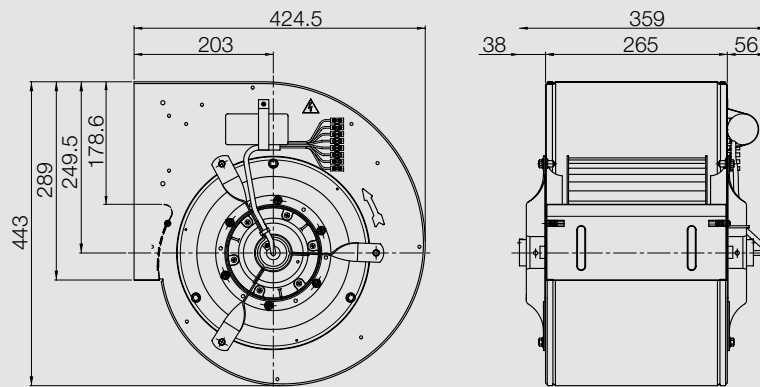
Attention! We suggest to do not use the fan in the grey marked area! The noise ratings given in the performance curves are sound power level L_{WA7} , see „Technical Description“.

Curves



Dimensions in mm, Subject to change.

DDM 10/8 E6G2701 1F 4P 3V



DDM 10/8

E6G3603 3F 4P 1V +SCT

Technical Data

DDM 10/8 E6G3603	Speed control	Curves	Nominal motor power W	Poles -	Phases	Connection	Mains frequency Hz	Max. power consumption W	Max. current consumption A	Speed 1/min
3F 4P 1V +SCT	*	[M9]	550	4	3~	Δ/Y	50	1376	2.5	1410

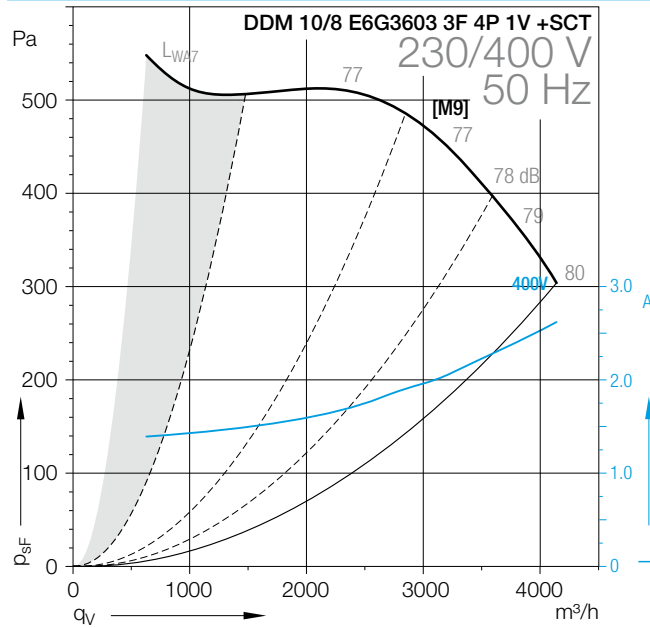
Technical Data

DDM 10/8 E6G3603	Operating Capacitor μF	Nominal capacitor voltage V	Motor protection class	Motor thermal class	Thermal protection	Media Temperature max. °C	Fan weight kg	Density of media kg/m³	Installation type (ISO 5801)	Article number
3F 4P 1V +SCT			IP55	F	EXT	40	24	1.2	B	6M02XA

(1) = Speed controllable via Transformer
 (2) = Speed controllable via TRIAC or Transformer
 (3) = Speed controllable via Inverter
 * = No speed control available
 [H] High speed, [M] Medium speed, [L] Low speed

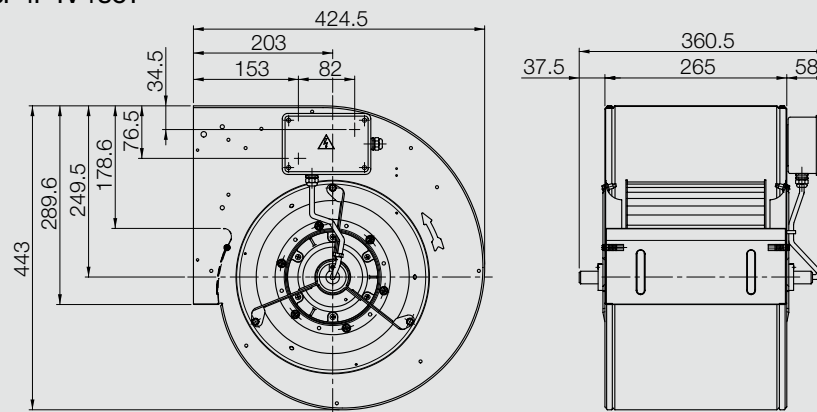
Attention! We suggest to do not use the fan in the grey marked area! The noise ratings given in the performance curves are sound power level L_{WA7} , see „Technical Description“.

Curves



Dimensions in mm, Subject to change.

DDM 10/8 E6G3603 3F 4P 1V +SCT



DDM 10/8

E6G3602 1F 6P 1V +SCT

Technical Data

DDM 10/8 E6G3602	Speed control	Curves	Nominal motor power W	Poles	Phases	Connection	Mains frequency Hz	Max. power consumption W	Max. current consumption A	Speed 1/min
1F 6P 1V +SCT	(2)	[M11/M12]	515	6	1~		50/60	860	3.6	800

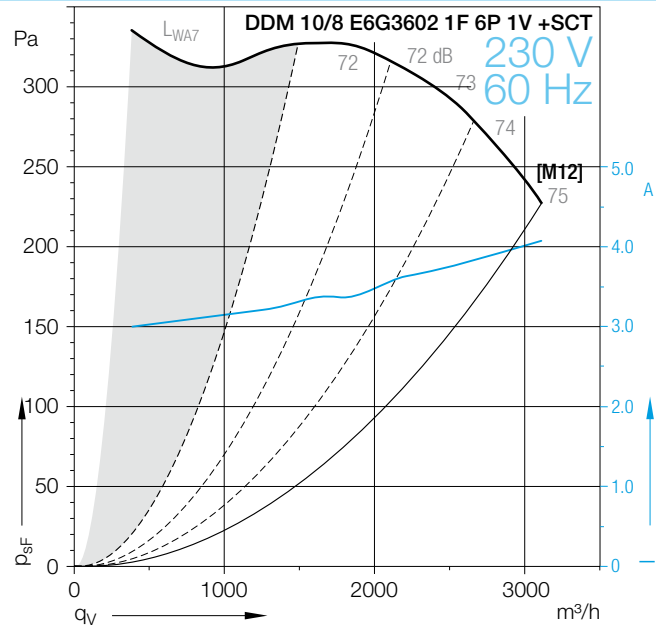
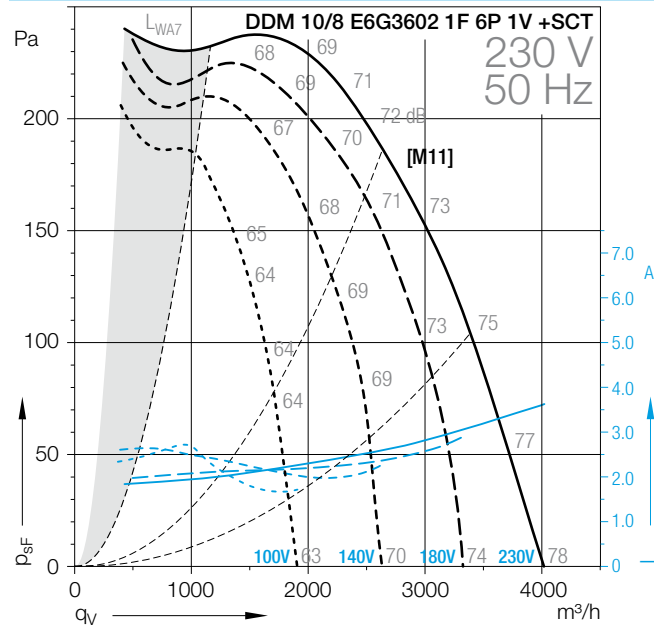
Technical Data

DDM 10/8 E6G3602	Operating Capacitor μF	Nominal capacitor voltage V	Motor protection class	Motor thermal class	Thermal protection	Media Temperature max. $^{\circ}\text{C}$	Fan weight kg	Density of media kg/m^3	Installation type (ISO 5801)	Article number
1F 6P 1V +SCT	25	450	IP55	F	EXT	70	14	1.2	B	6M02N9

(1) = Speed controllable via Transformer
 (2) = Speed controllable via TRIAC or Transformer
 (3) = Speed controllable via Inverter
 * = No speed control available
 [HI] High speed, [ME] Medium speed, [LO] Low speed

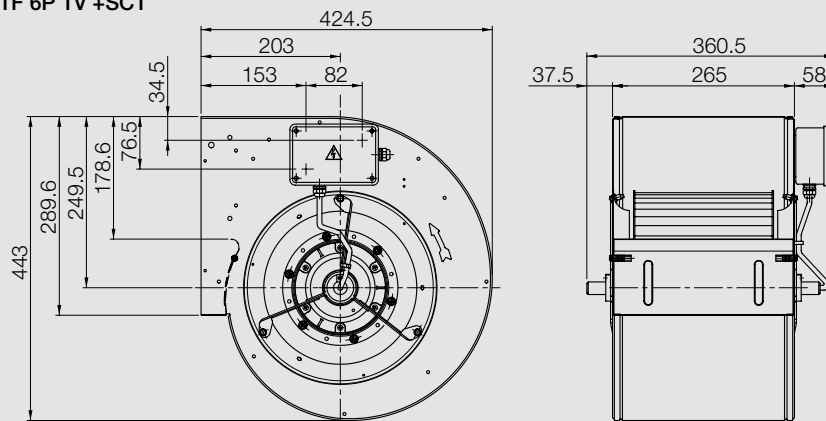
Attention! We suggest to do not use the fan in the grey marked area! The noise ratings given in the performance curves are sound power level L_{WA7} , see „Technical Description“.

Curves



Dimensions in mm, Subject to change.

DDM 10/8 E6G3602 1F 6P 1V +SCT



DDM 10/8

E6G3402 1F 6P 1V +SCT

Technical Data

DDM 10/8 E6G3402	Speed control	Curves	Nominal motor power W	Poles -	Phases	Connection	Mains frequency Hz	Max. power consumption W	Max. current consumption A	Speed 1/min
1F 6P 1V +SCT	(2)	[M13]	250	6	1~		50	533	2.3	800

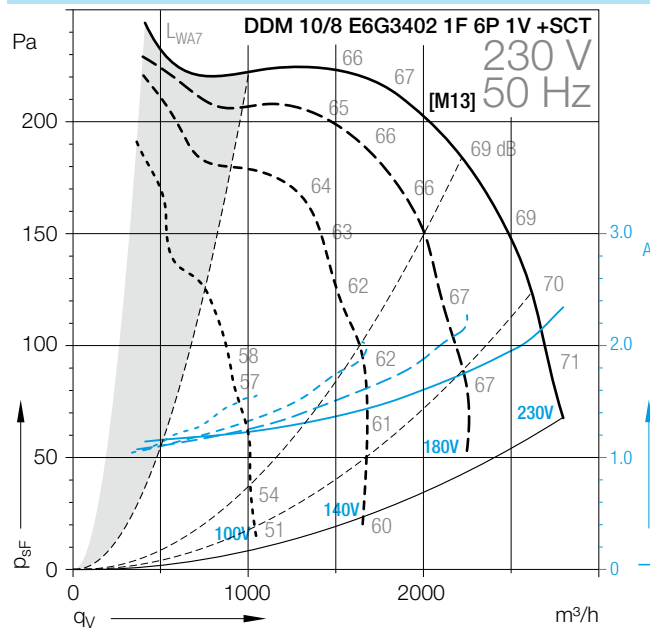
Technical Data

DDM 10/8 E6G3402	Operating Capacitor µF	Nominal capacitor voltage V	Motor protection class	Motor thermal class	Thermal protection	Media Temperature max. °C	Fan weight kg	Density of media kg/m³	Installation type (ISO 5801)	Article number
1F 6P 1V +SCT	12.5	450	IP55	F	EXT	40	17	1.2	B	6M02WZ

(1) = Speed controllable via Transformer
 (2) = Speed controllable via TRIAC or Transformer
 (3) = Speed controllable via Inverter
 * = No speed control available
 [H] High speed, [ME] Medium speed, [LO] Low speed

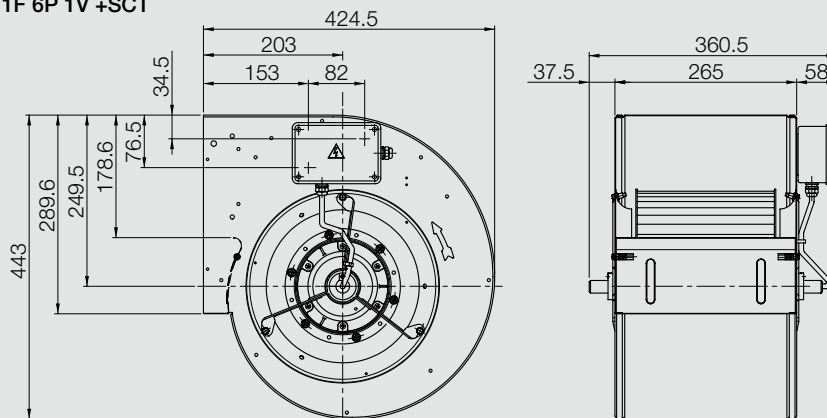
Attention! We suggest to do not use the fan in the grey marked area! The noise ratings given in the performance curves are sound power level L_{WA7} , see „Technical Description“.

Curves



Dimensions in mm, Subject to change.

DDM 10/8 E6G3402 1F 6P 1V +SCT



DDM 10/8

E6G2601 1F 6P 3V

Technical Data

DDM 10/8 E6G2601	Speed control	Curves	Nominal motor power W	Poles	Phases	Connection	Mains frequency Hz	Max. power consumption W	Max. current consumption A	Speed 1/min
1F 6P 3V	*	[M15]	420	6	1~		50	926	4.3	890

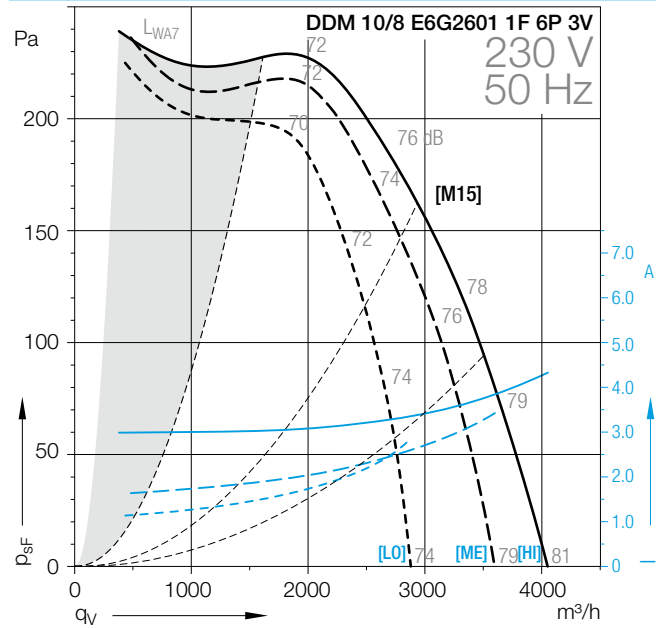
Technical Data

DDM 10/8 E6G2601	Operating Capacitor μF	Nominal capacitor voltage V	Motor protection class	Motor thermal class	Thermal protection	Media Temperature max. $^{\circ}\text{C}$	Fan weight kg	Density of media kg/m^3	Installation type (ISO 5801)	Article number
1F 6P 3V	20	450	IP10	F	EXT	70	24	1.2	B	6M02LP

- (1) = Speed controllable via Transformer
- (2) = Speed controllable via TRIAC or Transformer
- (3) = Speed controllable via Inverter
- * = No speed control available
- [HI] High speed, [ME] Medium speed, [LO] Low speed

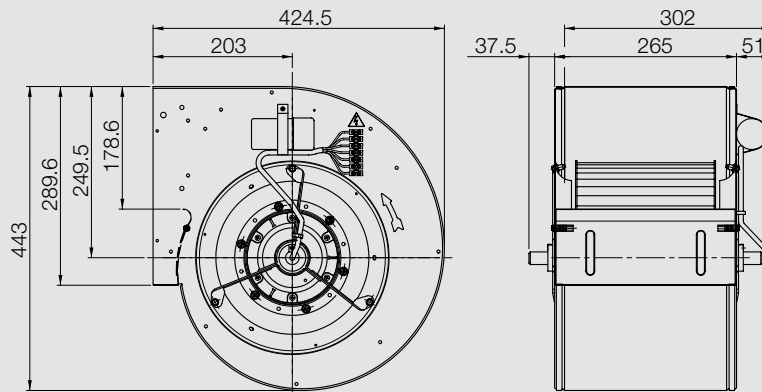
Attention! We suggest to do not use the fan in the grey marked area! The noise ratings given in the performance curves are sound power level L_{WA7} , see „Technical Description“.

Curves



Dimensions in mm, Subject to change.

DDM 10/8 E6G2601 1F 6P 3V



DDM 10/8

E6G3404 1F 6P 3V +SCT

Technical Data

DDM 10/8 E6G3404	Speed control	Curves	Nominal motor power W	Poles -	Phases	Connection	Mains frequency Hz	Max. power consumption W	Max. current consumption A	Speed 1/min
1F 6P 3V +SCT	*	[M17]	280	6	1~		50	656	2.9	865

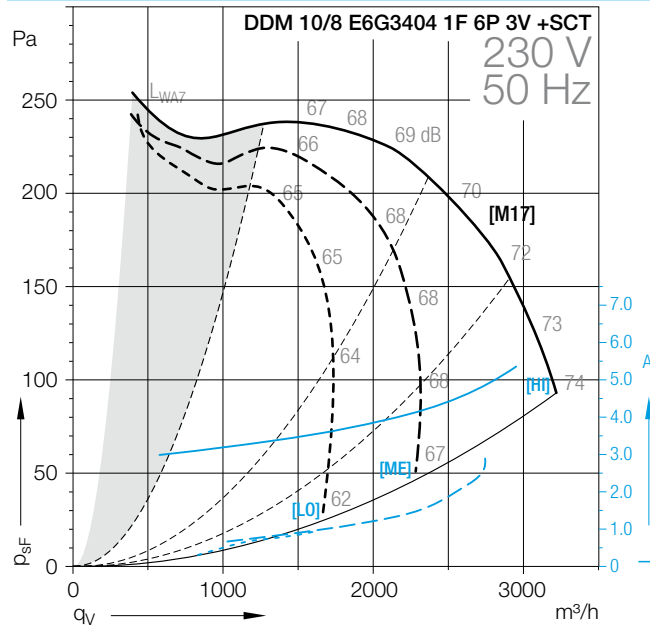
Technical Data

DDM 10/8 E6G3404	Operating Capacitor μF	Nominal capacitor voltage V	Motor protection class	Motor thermal class	Thermal protection	Media Temperature max. °C	Fan weight kg	Density of media kg/m³	Installation type (ISO 5801)	Article number
1F 6P 3V +SCT	12.5	450	IP55	F	EXT	40	15	1.2	B	6M024A

(1) = Speed controllable via Transformer
 (2) = Speed controllable via TRIAC or Transformer
 (3) = Speed controllable via Inverter
 * = No speed control available
 [H] High speed, [ME] Medium speed, [LO] Low speed

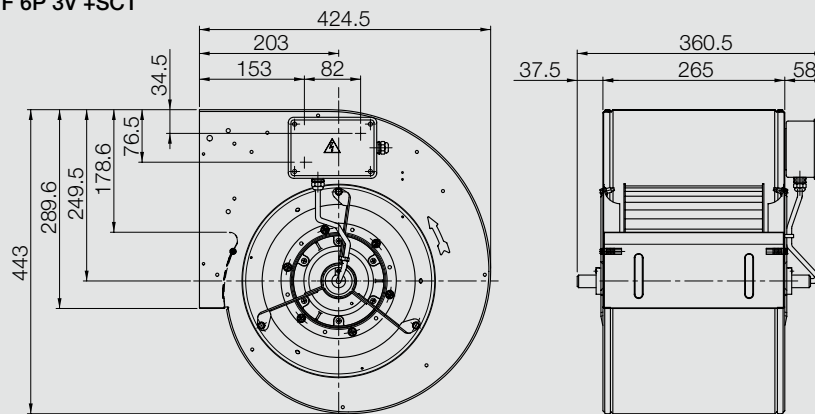
Attention! We suggest to do not use the fan in the grey marked area! The noise ratings given in the performance curves are sound power level L_{WA7} , see „Technical Description“.

Curves



Dimensions in mm, Subject to change.

DDM 10/8 E6G3404 1F 6P 3V +SCT



DDM 10/8

E6G3403 3F 6P 1V +SCT

Technical Data

DDM 10/8 E6G3403	Speed control	Curves	Nominal motor power W	Poles -	Phases	Connection	Mains frequency Hz	Max. power consumption W	Max. current consumption A	Speed 1/min
3F 6P 1V +SCT	*	[M19/M20]	245	6	3~	Δ/Y	50/60	659	1.3	870

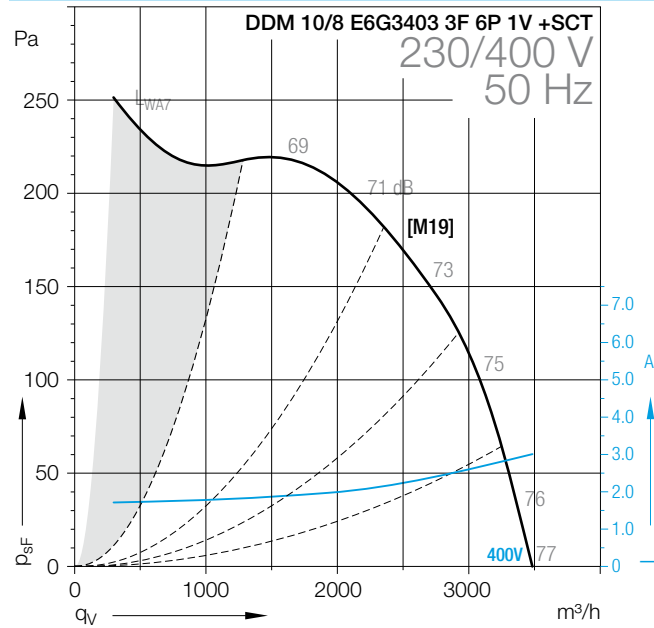
Technical Data

DDM 10/8 E6G3403	Operating Capacitor μF	Nominal capacitor voltage V	Motor protection class	Motor thermal class	Thermal protection	Media Temperature max. $^{\circ}\text{C}$	Fan weight kg	Density of media kg/m^3	Installation type (ISO 5801)	Article number
3F 6P 1V +SCT			IP44	F	EXT	40	24	1.2	B	6M02XC

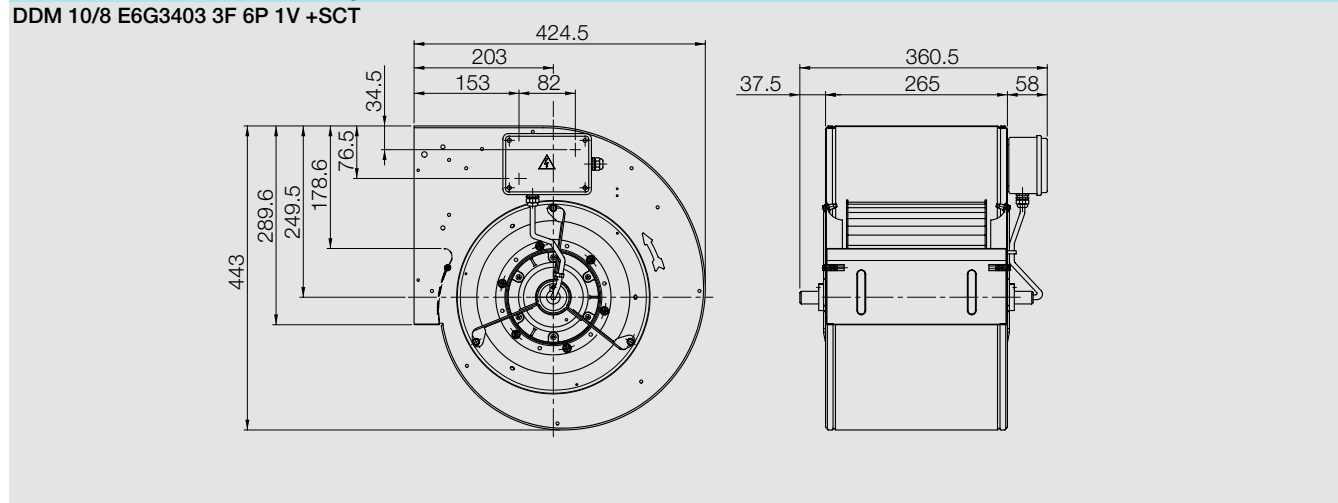
- (1) = Speed controllable via Transformer
- (2) = Speed controllable via TRIAC or Transformer
- (3) = Speed controllable via Inverter
- * = No speed control available
- [HI] High speed, [ME] Medium speed, [LO] Low speed

Attention! We suggest to do not use the fan in the grey marked area! The noise ratings given in the performance curves are sound power level L_{WA7} , see „Technical Description“.

Curves



Dimensions in mm, Subject to change.



DDM 10/10

E6G3704 1F 4P 1V +SCT

Technical Data

DDM 10/10 E6G3704	Speed control	Curves	Nominal motor power W	Poles -	Phases	Connection	Mains frequency Hz	Max. power consumption W	Max. current consumption A	Speed 1/min
1F 4P 1V +SCT	(2)	[N1]	600	4	1~		50	1653	6.6	1380

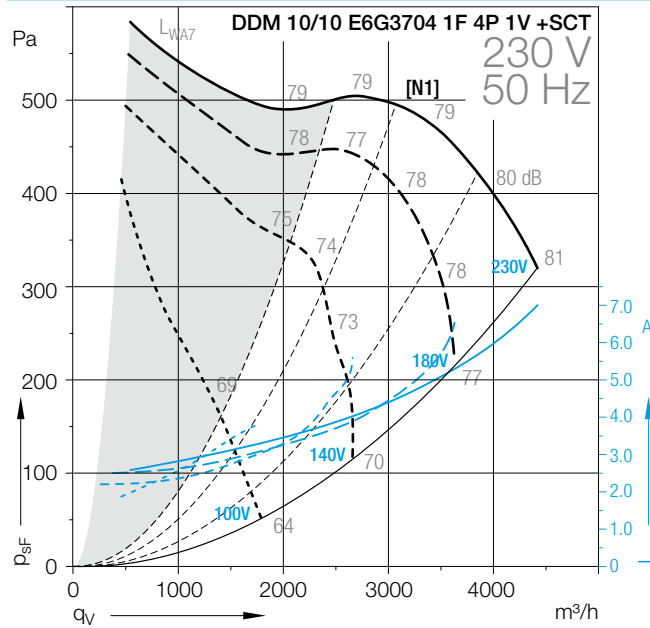
Technical Data

DDM 10/10 E6G3704	Operating Capacitor µF	Nominal capacitor voltage V	Motor protection class	Motor thermal class	Thermal protection	Media Temperature max. °C	Fan weight kg	Density of media kg/m³	Installation type (ISO 5801)	Article number
1F 4P 1V +SCT	25	450	IP55	F	EXT	40	24	1.2	B	6M02Z6

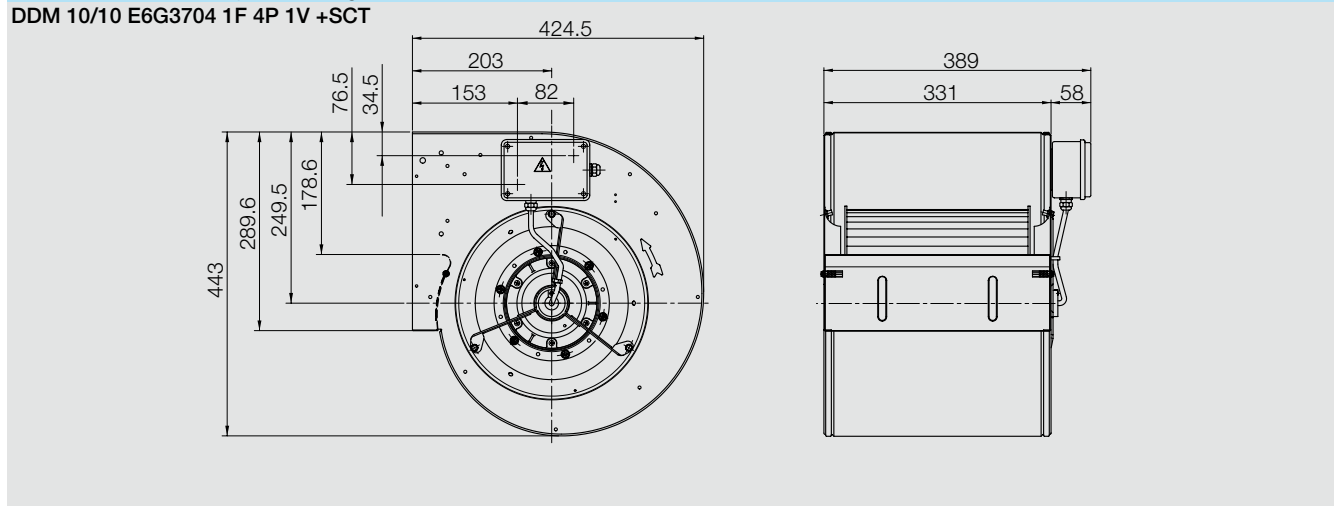
(1) = Speed controllable via Transformer
 (2) = Speed controllable via TRIAC or Transformer
 (3) = Speed controllable via Inverter
 * = No speed control available
 [H] High speed, [ME] Medium speed, [LO] Low speed

Attention! We suggest to do not use the fan in the grey marked area! The noise ratings given in the performance curves are sound power level L_{WA7} , see „Technical Description“.

Curves



Dimensions in mm, Subject to change.



DDM 10/10

E6G2704 1F 4P 1V

Technical Data

DDM 10/10 E6G2704	Speed control	Curves	Nominal motor power W	Poles -	Phases	Connection	Mains frequency Hz	Max. power consumption W	Max. current consumption A	Speed 1/min
1F 4P 1V	(2)	[N3/N4]	600	4	1~		50/60	2227	9.3	1380

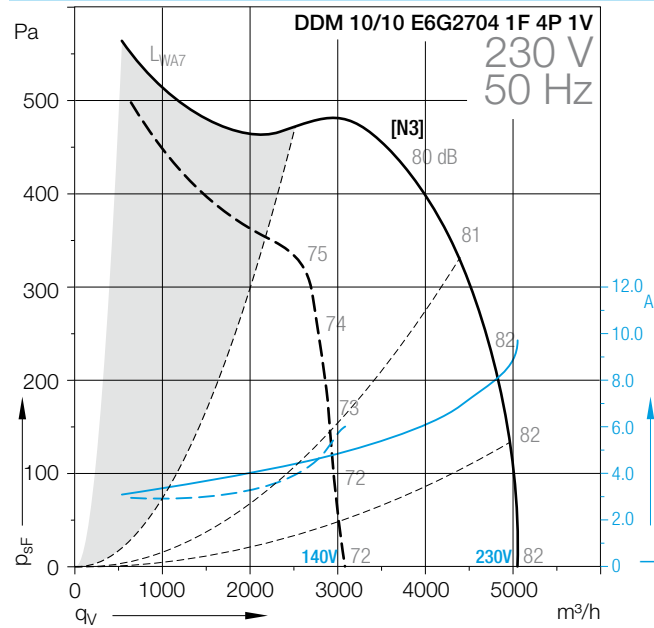
Technical Data

DDM 10/10 E6G2704	Operating Capacitor μF	Nominal capacitor voltage V	Motor protection class	Motor thermal class	Thermal protection	Media Temperature max. $^{\circ}\text{C}$	Fan weight kg	Density of media kg/m^3	Installation type (ISO 5801)	Article number
1F 4P 1V	30	450	IP10	F	EXT	40	26	1.2	B	6M02CY

- (1) = Speed controllable via Transformer
- (2) = Speed controllable via TRIAC or Transformer
- (3) = Speed controllable via Inverter
- * = No speed control available
- [HI] High speed, [ME] Medium speed, [LO] Low speed

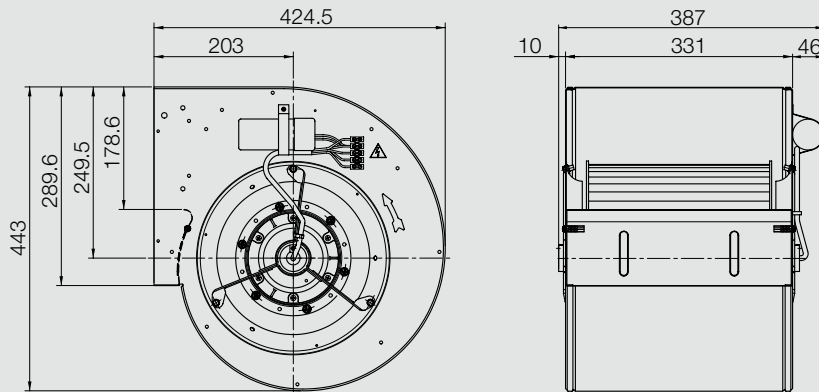
Attention! We suggest to do not use the fan in the grey marked area! The noise ratings given in the performance curves are sound power level L_{WA7} , see „Technical Description“.

Curves



Dimensions in mm, Subject to change.

DDM 10/10 E6G2704 1F 4P 1V



DDM 10/10

E6G3604 1F 4P 1V +SCT

Technical Data

DDM 10/10 E6G3604	Speed control	Curves	Nominal motor power W	Poles -	Phases	Connection	Mains frequency Hz	Max. power consumption W	Max. current consumption A	Speed 1/min
1F 4P 1V +SCT	(2)	[N5]	550	4	1~		50	1069	4.6	1220

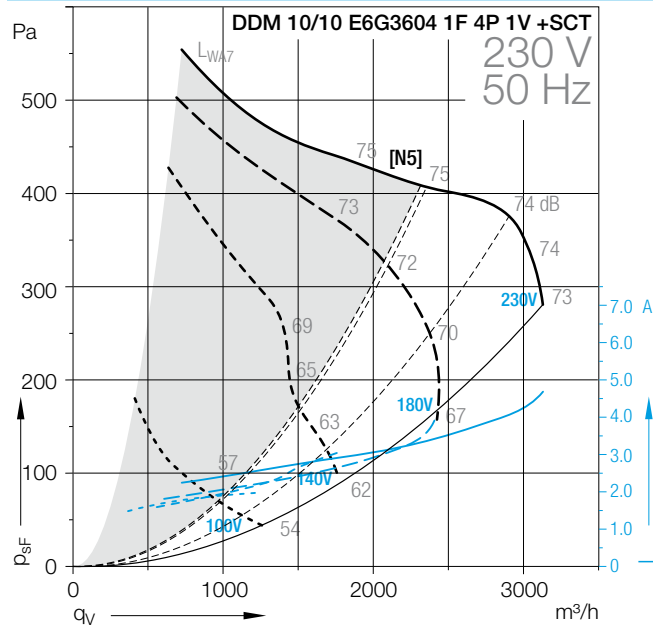
Technical Data

DDM 10/10 E6G3604	Operating Capacitor µF	Nominal capacitor voltage V	Motor protection class	Motor thermal class	Thermal protection	Media Temperature max. °C	Fan weight kg	Density of media kg/m³	Installation type (ISO 5801)	Article number
1F 4P 1V +SCT	16	450	IP55	F	EXT	40	21	1.2	B	6M02P0

- (1) = Speed controllable via Transformer
- (2) = Speed controllable via TRIAC or Transformer
- (3) = Speed controllable via Inverter
- * = No speed control available
- [H] High speed, [ME] Medium speed, [LO] Low speed

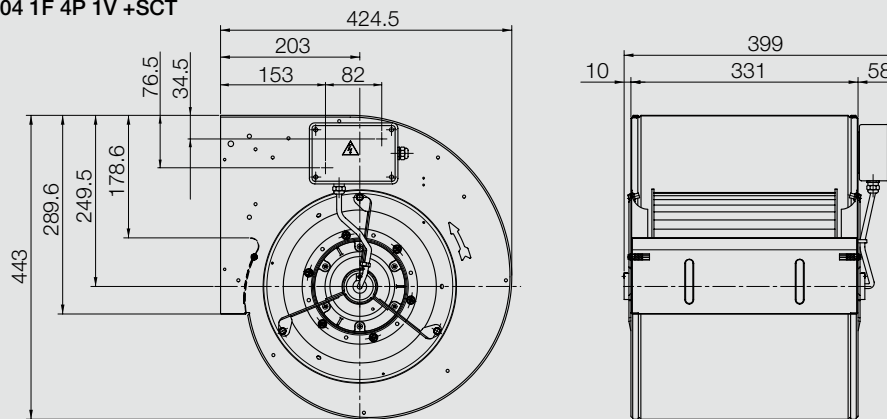
Attention! We suggest to do not use the fan in the grey marked area! The noise ratings given in the performance curves are sound power level L_{WA7} , see „Technical Description“.

Curves



Dimensions in mm, Subject to change.

DDM 10/10 E6G3604 1F 4P 1V +SCT



DDM 10/10

E6G2503 1F 4P 1V

Technical Data

DDM 10/10 E6G2503	Speed control	Curves	Nominal motor power W	Poles	Phases	Connection	Mains frequency Hz	Max. power consumption W	Max. current consumption A	Speed 1/min
1F 4P 1V	(2)	[N7]	550	4	1~		50	1542	6.5	1400

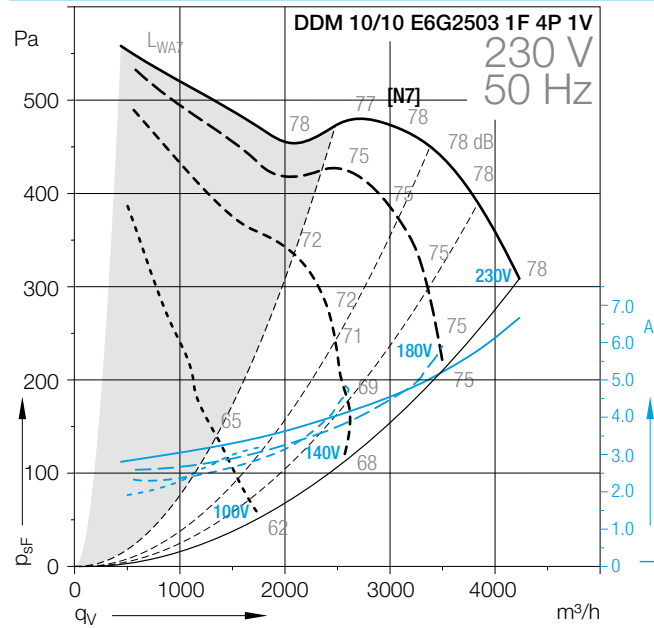
Technical Data

DDM 10/10 E6G2503	Operating Capacitor μF	Nominal capacitor voltage V	Motor protection class	Motor thermal class	Thermal protection	Media Temperature max. $^{\circ}\text{C}$	Fan weight kg	Density of media kg/m^3	Installation type (ISO 5801)	Article number
1F 4P 1V	25	450	IP10	F	EXT	40	16	1.2	B	6M02XF

(1) = Speed controllable via Transformer
 (2) = Speed controllable via TRIAC or Transformer
 (3) = Speed controllable via Inverter
 * = No speed control available
 [HI] High speed, [ME] Medium speed, [LO] Low speed

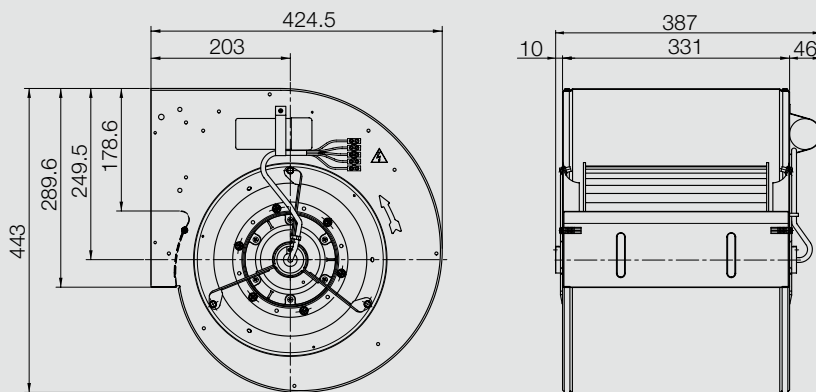
Attention! We suggest to do not use the fan in the grey marked area! The noise ratings given in the performance curves are sound power level L_{WA7} , see „Technical Description“.

Curves



Dimensions in mm, Subject to change.

DDM 10/10 E6G2503 1F 4P 1V



DDM 10/10

E6G2701 1F 4P 3V

Technical Data

DDM 10/10 E6G2701	Speed control	Curves	Nominal motor power W	Poles -	Phases	Connection	Mains frequency Hz	Max. power consumption W	Max. current consumption A	Speed 1/min
1F 4P 3V	*	[N9]	550	4	1~		50	1398	5.7	1380

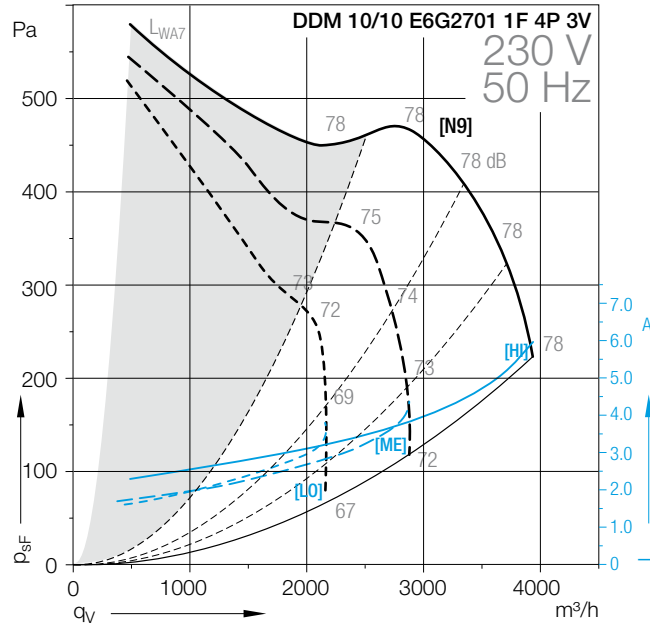
Technical Data

DDM 10/10 E6G2701	Operating Capacitor μF	Nominal capacitor voltage V	Motor protection class	Motor thermal class	Thermal protection	Media Temperature max. °C	Fan weight kg	Density of media kg/m³	Installation type (ISO 5801)	Article number
1F 4P 3V	25	450	IP10	F	EXT	40	23	1.2	B	6M02Z8

(1) = Speed controllable via Transformer
 (2) = Speed controllable via TRIAC or Transformer
 (3) = Speed controllable via Inverter
 * = No speed control available
 [H] High speed, [ME] Medium speed, [LO] Low speed

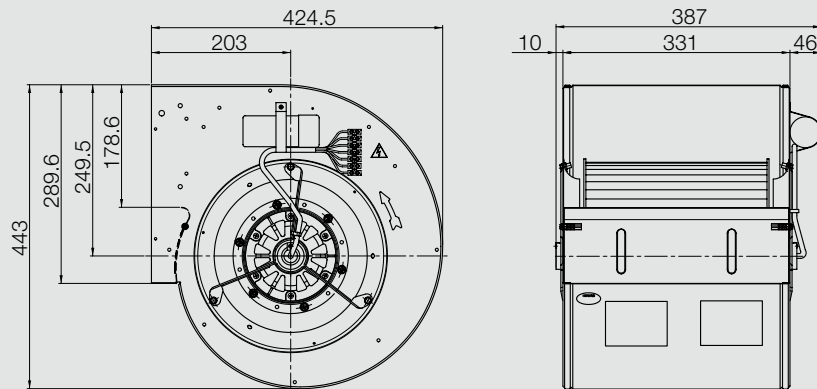
Attention! We suggest to do not use the fan in the grey marked area! The noise ratings given in the performance curves are sound power level L_{WA7} , see „Technical Description“.

Curves



Dimensions in mm, Subject to change.

DDM 10/10 E6G2701 1F 4P 3V



DDM 10/10

M7A1 3F 4P 2V +SCT

Technical Data

DDM 10/10 M7A1	Speed control	Curves	Nominal motor power W	Poles	Phases	Connection	Mains frequency Hz	Max. power consumption W	Max. current consumption A	Speed 1/min
3F 4P 2V +SCT	(2)/(3)	[N11]	1000	4	3~	Δ/Y	50	2555	4.2	1220

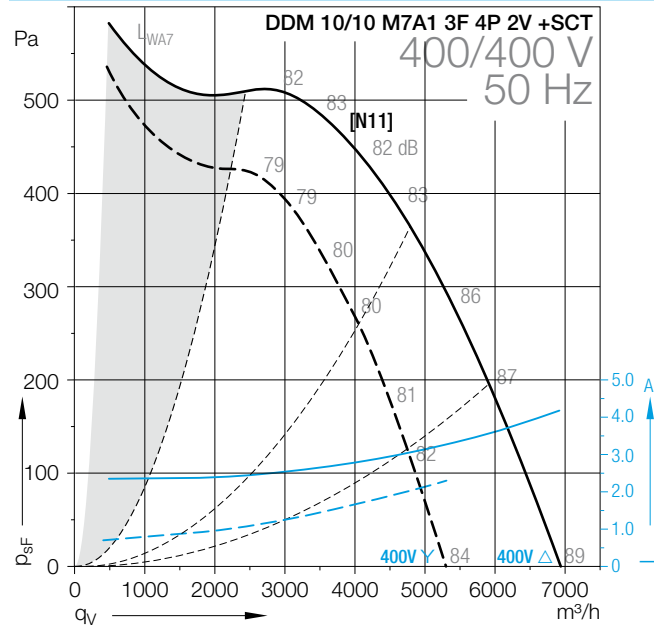
Technical Data

DDM 10/10 M7A1	Operating Capacitor μF	Nominal capacitor voltage V	Motor protection class	Motor thermal class	Thermal protection	Media Temperature max. °C	Fan weight kg	Density of media kg/m³	Installation type (ISO 5801)	Article number
3F 4P 2V +SCT			IP54	F	INT	40	21	1.2	B	6M02122

- (1) = Speed controllable via Transformer
- (2) = Speed controllable via TRIAC or Transformer
- (3) = Speed controllable via Inverter
- * = No speed control available
- [HI] High speed, [ME] Medium speed, [LO] Low speed

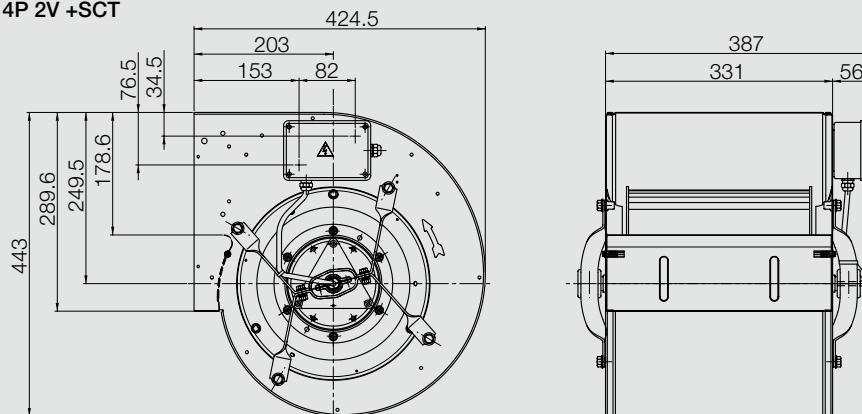
Attention! We suggest to do not use the fan in the grey marked area! The noise ratings given in the performance curves are sound power level L_{WA7} , see „Technical Description“.

Curves



Dimensions in mm, Subject to change.

DDM 10/10 M7A1 3F 4P 2V +SCT



DDM 10/10

E6G3706 3F 4P 2V +SCT

Technical Data

DDM 10/10 E6G3706	Speed control	Curves	Nominal motor power W	Poles -	Phases	Connection	Mains frequency Hz	Max. power consumption W	Max. current consumption A	Speed 1/min
3F 4P 2V +SCT	(1)	[N13]	750	4	3~	Δ/Y	50	1888	3.3	1370

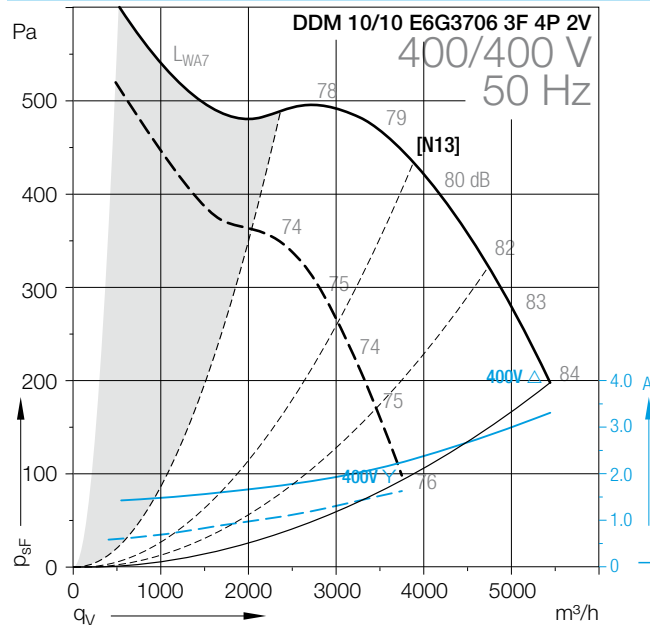
Technical Data

DDM 10/10 E6G3706	Operating Capacitor μF	Nominal capacitor voltage V	Motor protection class	Motor thermal class	Thermal protection	Media Temperature max. °C	Fan weight kg	Density of media kg/m³	Installation type (ISO 5801)	Article number
3F 4P 2V +SCT			IP55	F	EXT	40	18	1.2	B	6M021Y

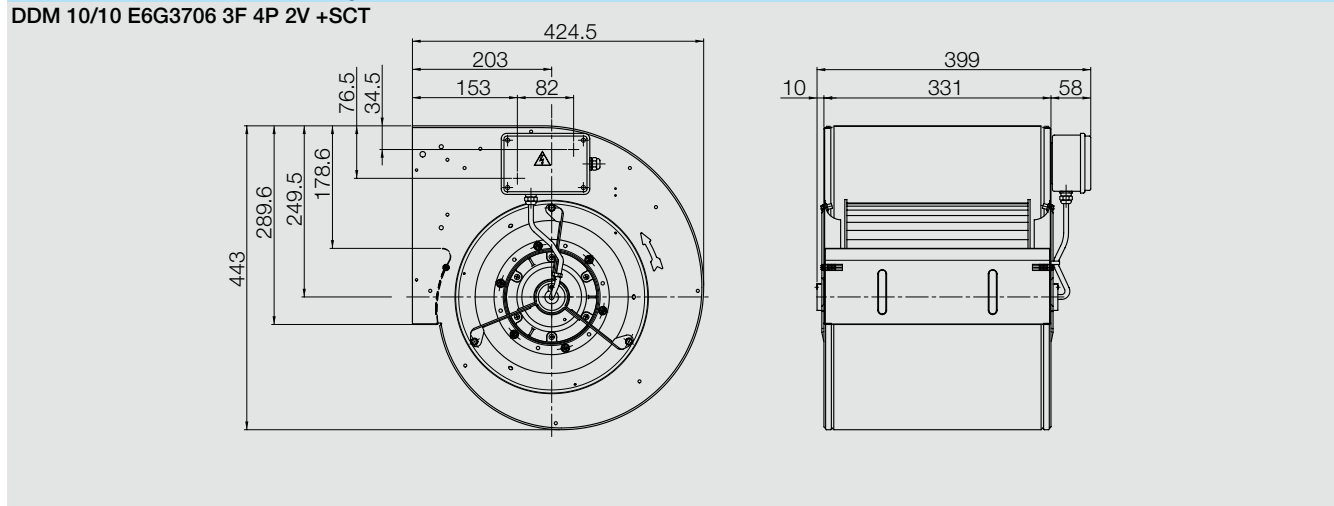
(1) = Speed controllable via Transformer
 (2) = Speed controllable via TRIAC or Transformer
 (3) = Speed controllable via Inverter
 * = No speed control available
 [H] High speed, [ME] Medium speed, [LO] Low speed

Attention! We suggest to do not use the fan in the grey marked area! The noise ratings given in the performance curves are sound power level L_{WA7} , see „Technical Description“.

Curves



Dimensions in mm, Subject to change.



DDM 10/10

E6G3602 1F 6P 1V +SCT

Technical Data

DDM 10/10 E6G3602	Speed control	Curves	Nominal motor power W	Poles	Phases	Connection	Mains frequency Hz	Max. power consumption W	Max. current consumption A	Speed 1/min
1F 6P 1V +SCT	(2)	[N15/N16]	515	6	1~		50/60	952	3.8	800

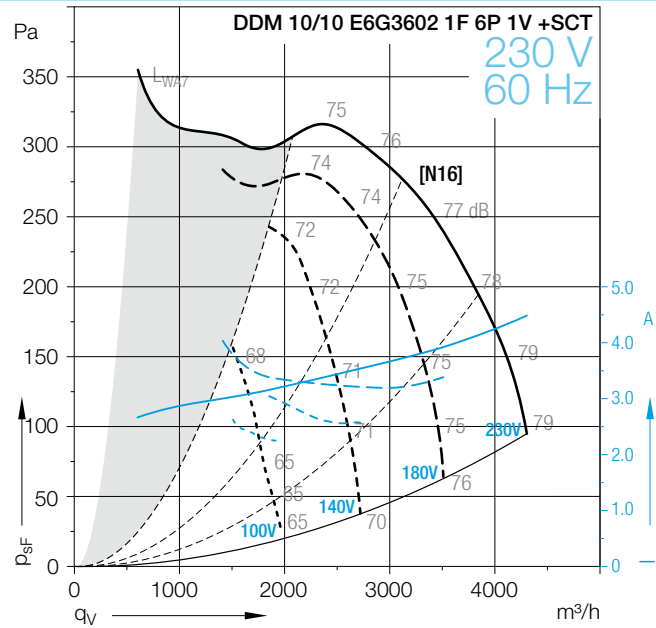
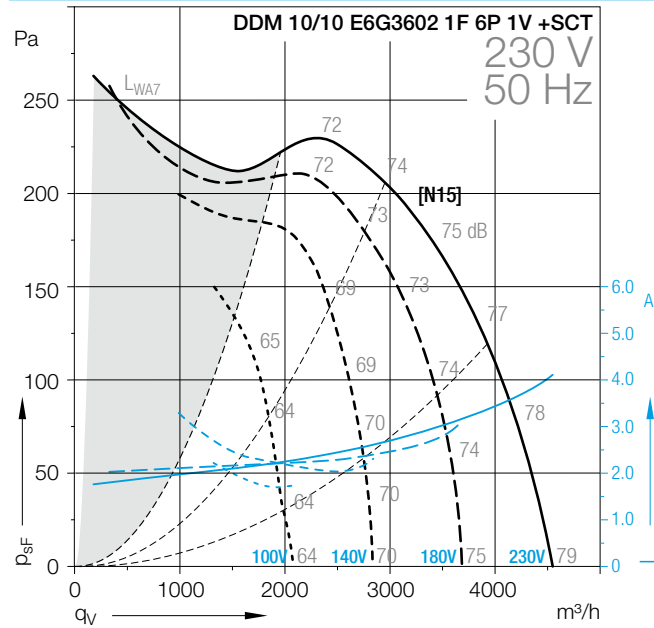
Technical Data

DDM 10/10 E6G3602	Operating Capacitor μF	Nominal capacitor voltage V	Motor protection class	Motor thermal class	Thermal protection	Media Temperature max. $^{\circ}\text{C}$	Fan weight kg	Density of media kg/m^3	Installation type (ISO 5801)	Article number
1F 6P 1V +SCT	25	450	IP55	F	EXT	50	21	1.2	B	6M02N1

(1) = Speed controllable via Transformer
 (2) = Speed controllable via TRIAC or Transformer
 (3) = Speed controllable via Inverter
 * = No speed control available
 [HI] High speed, [ME] Medium speed, [LO] Low speed

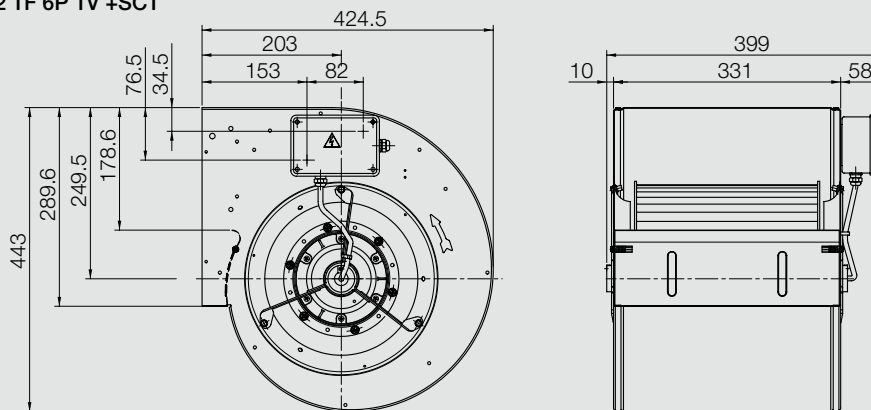
Attention! We suggest to do not use the fan in the grey marked area! The noise ratings given in the performance curves are sound power level L_{WA7} , see „Technical Description“.

Curves



Dimensions in mm, Subject to change.

DDM 10/10 E6G3602 1F 6P 1V +SCT



DDM 10/10

E6G3402 1F 6P 1V +SCT

Technical Data

DDM 10/10 E6G3402	Speed control	Curves	Nominal motor power W	Poles -	Phases	Connection	Mains frequency Hz	Max. power consumption W	Max. current consumption A	Speed 1/min
1F 6P 1V +SCT	(2)	[N17]	250	6	1~		50	564	2.3	800

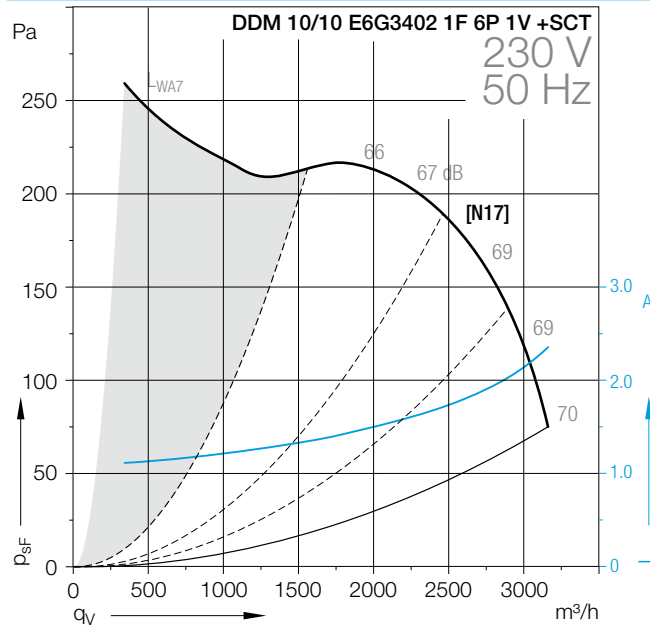
Technical Data

DDM 10/10 E6G3402	Operating Capacitor μF	Nominal capacitor voltage V	Motor protection class	Motor thermal class	Thermal protection	Media Temperature max. °C	Fan weight kg	Density of media kg/m³	Installation type (ISO 5801)	Article number
1F 6P 1V +SCT	12.5	450	IP55	F	EXT	40	22	1.2	B	6M02GA

(1) = Speed controllable via Transformer
 (2) = Speed controllable via TRIAC or Transformer
 (3) = Speed controllable via Inverter
 * = No speed control available
 [H] High speed, [ME] Medium speed, [LO] Low speed

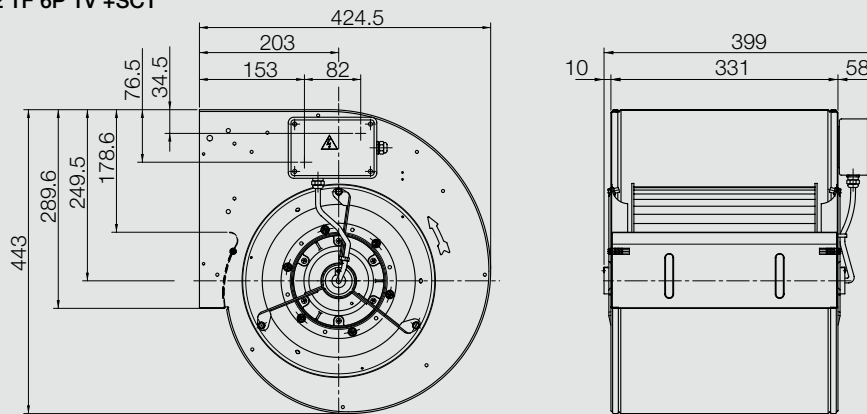
Attention! We suggest to do not use the fan in the grey marked area! The noise ratings given in the performance curves are sound power level L_{WA7} , see „Technical Description“.

Curves



Dimensions in mm, Subject to change.

DDM 10/10 E6G3402 1F 6P 1V +SCT



DDM 10/10

E6G2601 1F 6P 3V

Technical Data

DDM 10/10 E6G2601	Speed control	Curves	Nominal motor power W	Poles	Phases	Connection	Mains frequency Hz	Max. power consumption W	Max. current consumption A	Speed 1/min
1F 6P 3V	*	[N19/N20]	420	6	1~		50	1035	5	890

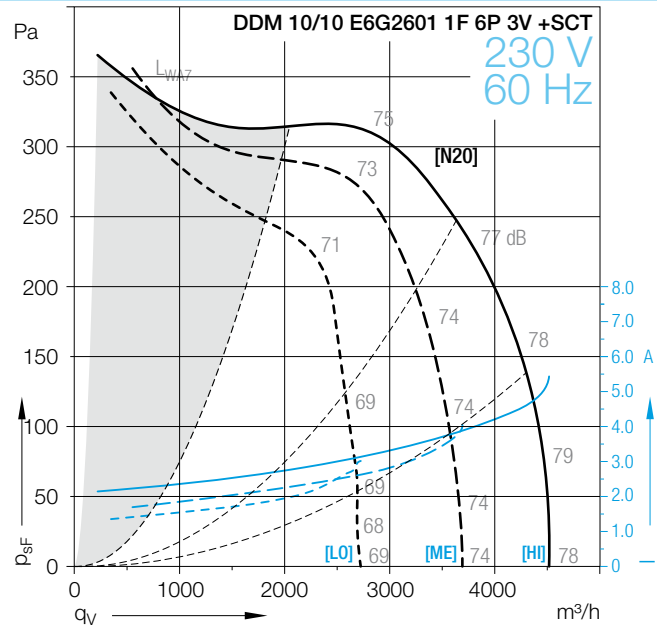
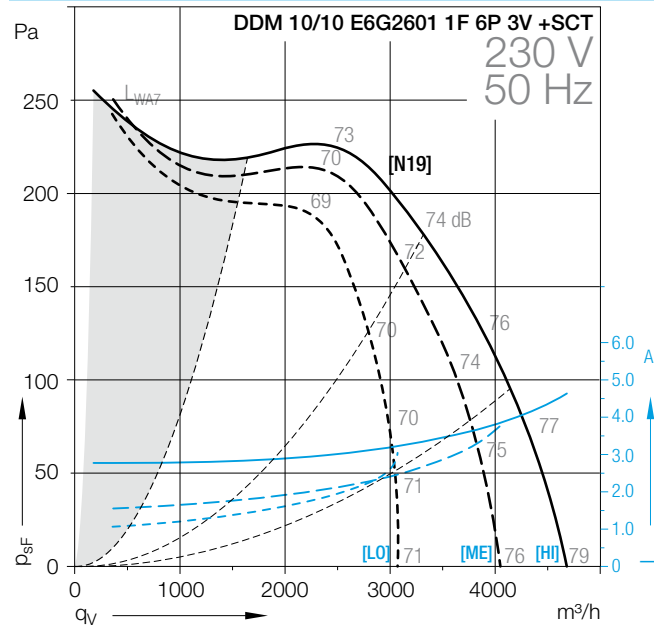
Technical Data

DDM 10/10 E6G2601	Operating Capacitor μF	Nominal capacitor voltage V	Motor protection class	Motor thermal class	Thermal protection	Media Temperature max. $^{\circ}\text{C}$	Fan weight kg	Density of media kg/m^3	Installation type (ISO 5801)	Article number
1F 6P 3V	20	450	IP10	F	EXT	60	24	1.2	B	6M02FF

(1) = Speed controllable via Transformer
 (2) = Speed controllable via TRIAC or Transformer
 (3) = Speed controllable via Inverter
 * = No speed control available
 [HI] High speed, [ME] Medium speed, [LO] Low speed

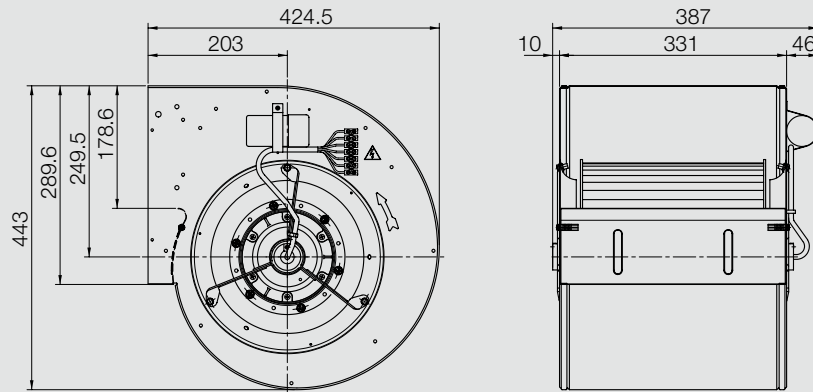
Attention! We suggest to do not use the fan in the grey marked area! The noise ratings given in the performance curves are sound power level L_{WA7} , see „Technical Description“.

Curves



Dimensions in mm, Subject to change.

DDM 10/10 E6G2601 1F 6P 3V



DDM 10/10

E6G3404 1F 6P 3V +SCT

Technical Data

DDM 10/10 E6G3404	Speed control	Curves	Nominal motor power W	Poles -	Phases	Connection	Mains frequency Hz	Max. power consumption W	Max. current consumption A	Speed 1/min
1F 6P 3V +SCT	*	[N21]	280	6	1~		50	620	2.7	865

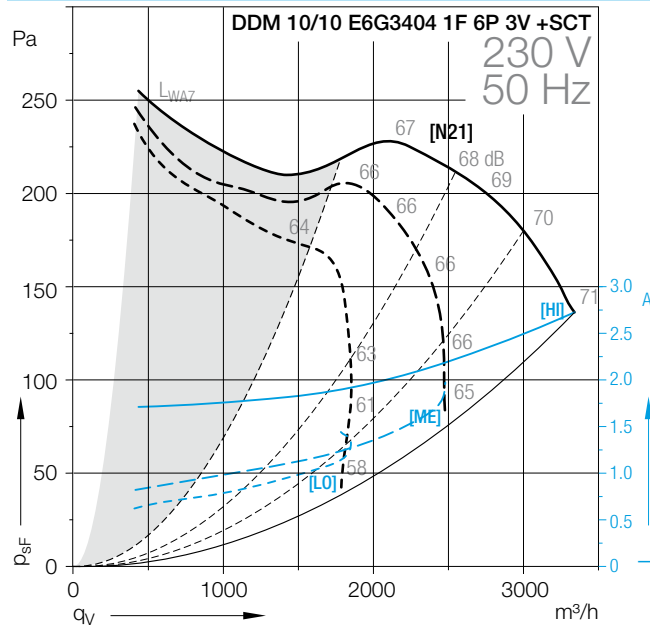
Technical Data

DDM 10/10 E6G3404	Operating Capacitor µF	Nominal capacitor voltage V	Motor protection class	Motor thermal class	Thermal protection	Media Temperature max. °C	Fan weight kg	Density of media kg/m³	Installation type (ISO 5801)	Article number
1F 6P 3V +SCT	12.5	450	IP44	F	EXT	40	23	1.2	B	6M02XM

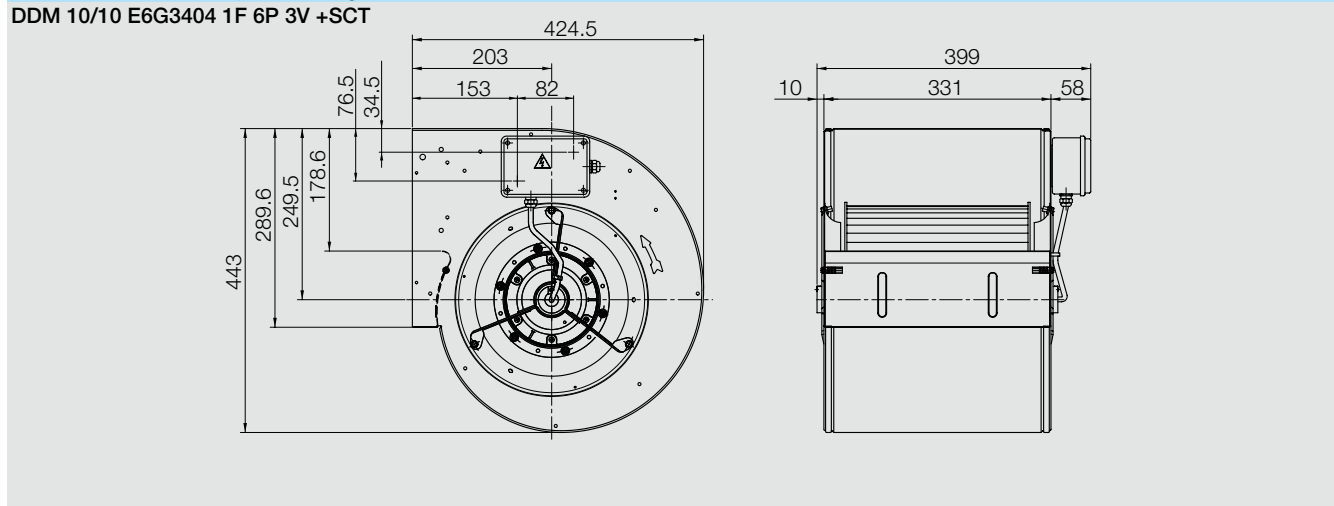
(1) = Speed controllable via Transformer
 (2) = Speed controllable via TRIAC or Transformer
 (3) = Speed controllable via Inverter
 * = No speed control available
 [HI] High speed, [ME] Medium speed, [LO] Low speed

Attention! We suggest to do not use the fan in the grey marked area! The noise ratings given in the performance curves are sound power level L_{WA7} , see „Technical Description“.

Curves



Dimensions in mm, Subject to change.



DDM 10/10

E6G3606 3F 6P 1V +SCT

Technical Data

DDM 10/10 E6G3606	Speed control	Curves	Nominal motor power W	Poles	Phases	Connection	Mains frequency Hz	Max. power consumption W	Max. current consumption A	Speed 1/min
3F 6P 1V +SCT	*	[N23/N24]	350	6	3~	Δ/Y	50/60	1049	2	900

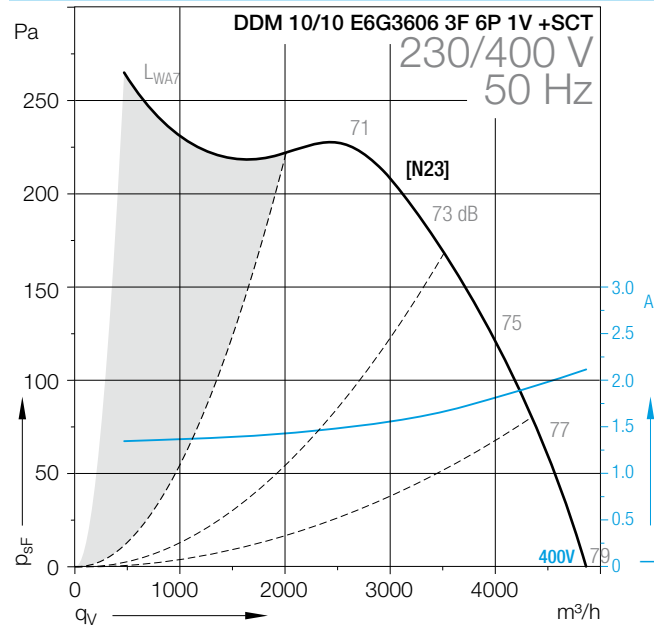
Technical Data

DDM 10/10 E6G3606	Operating Capacitor μF	Nominal capacitor voltage V	Motor protection class	Motor thermal class	Thermal protection	Media Temperature max. °C	Fan weight kg	Density of media kg/m³	Installation type (ISO 5801)	Article number
3F 6P 1V +SCT			IP55	F	EXT	40	24	1.2	B	6M025T

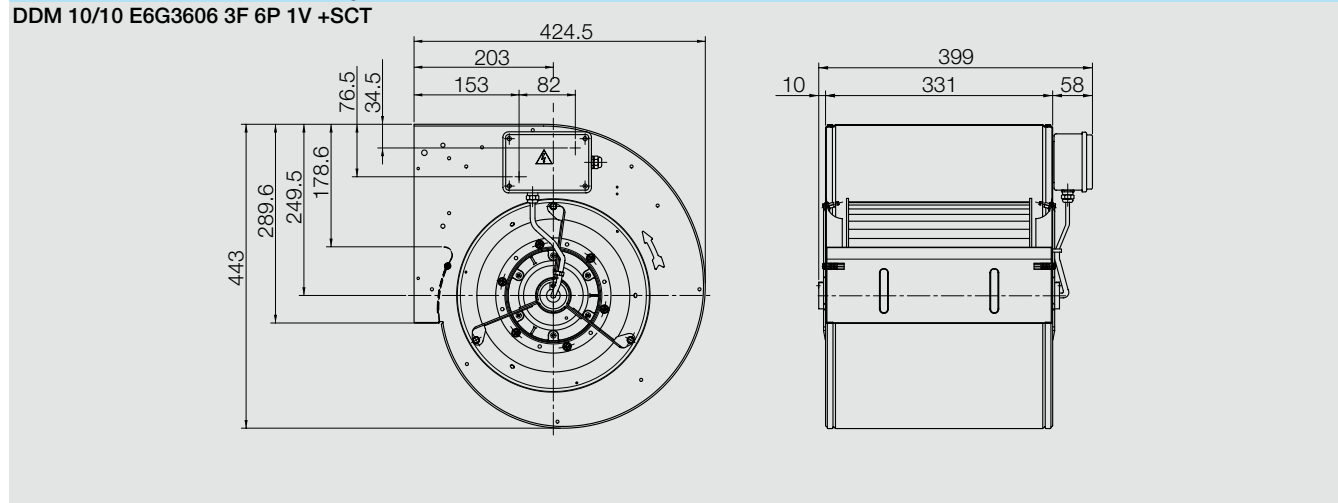
- (1) = Speed controllable via Transformer
- (2) = Speed controllable via TRIAC or Transformer
- (3) = Speed controllable via Inverter
- * = No speed control available
- [HI] High speed, [ME] Medium speed, [LO] Low speed

Attention! We suggest to do not use the fan in the grey marked area! The noise ratings given in the performance curves are sound power level L_{WA7} , see „Technical Description“.

Curves



Dimensions in mm, Subject to change.



DDM 10/10

E6G3403 3F 6P 1V +SCT

Technical Data

DDM 10/10 E6G3403	Speed control	Curves	Nominal motor power W	Poles -	Phases	Connection	Mains frequency Hz	Max. power consumption W	Max. current consumption A	Speed 1/min
3F 6P 1V +SCT	*	[N25/N26]	245	6	3~	Δ/Y	50/60	783	1.3	870

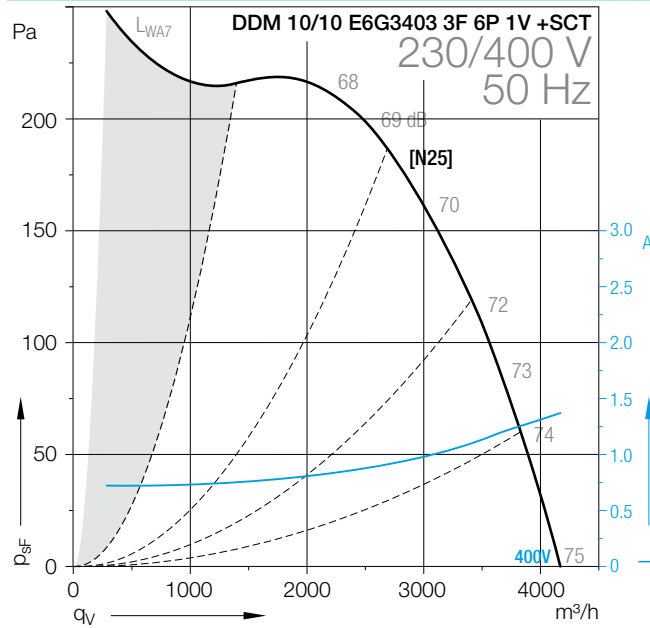
Technical Data

DDM 10/10 E6G3403	Operating Capacitor μF	Nominal capacitor voltage V	Motor protection class	Motor thermal class	Thermal protection	Media Temperature max. °C	Fan weight kg	Density of media kg/m³	Installation type (ISO 5801)	Article number
3F 6P 1V +SCT			IP44	F	EXT	40	24	1.2	B	6M02G3

(1) = Speed controllable via Transformer
 (2) = Speed controllable via TRIAC or Transformer
 (3) = Speed controllable via Inverter
 * = No speed control available
 [H] High speed, [ME] Medium speed, [LO] Low speed

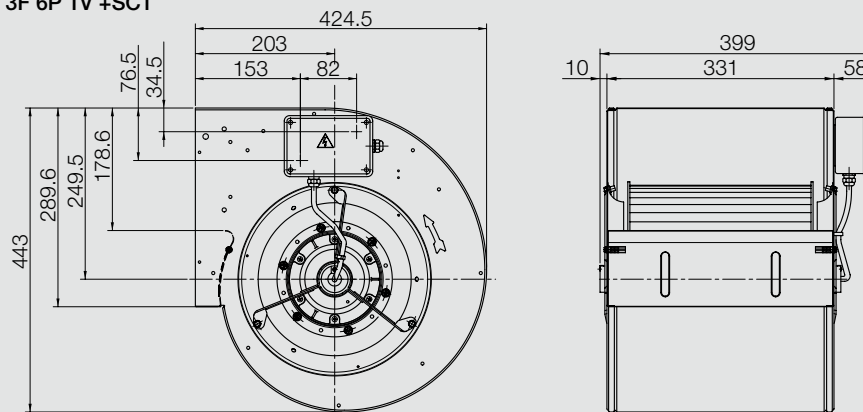
Attention! We suggest to do not use the fan in the grey marked area! The noise ratings given in the performance curves are sound power level L_{WA7} , see „Technical Description“.

Curves



Dimensions in mm, Subject to change.

DDM 10/10 E6G3403 3F 6P 1V +SCT



DDM 12/9

E6G3702 1F 6P 1V +SCT

Technical Data

DDM 12/9 E6G3702	Speed control	Curves	Nominal motor power W	Poles	Phases	Connection	Mains frequency Hz	Max. power consumption W	Max. current consumption A	Speed 1/min
1F 6P 1V +SCT	(2)	[01]	515	6	1~		50	1072	5	830

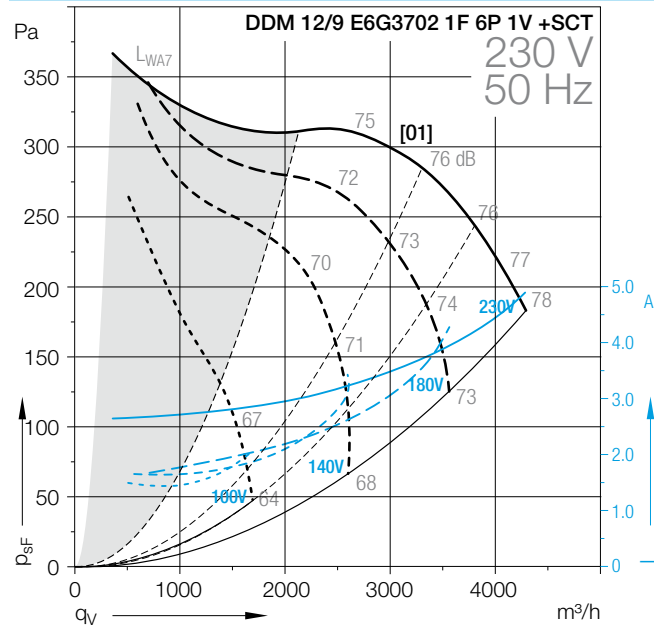
Technical Data

DDM 12/9 E6G3702	Operating Capacitor μF	Nominal capacitor voltage V	Motor protection class	Motor thermal class	Thermal protection	Media Temperature max. $^{\circ}\text{C}$	Fan weight kg	Density of media kg/m^3	Installation type (ISO 5801)	Article number
1F 6P 1V +SCT	20	450	IP55	F	EXT	40	26	1.2	B	6102N0

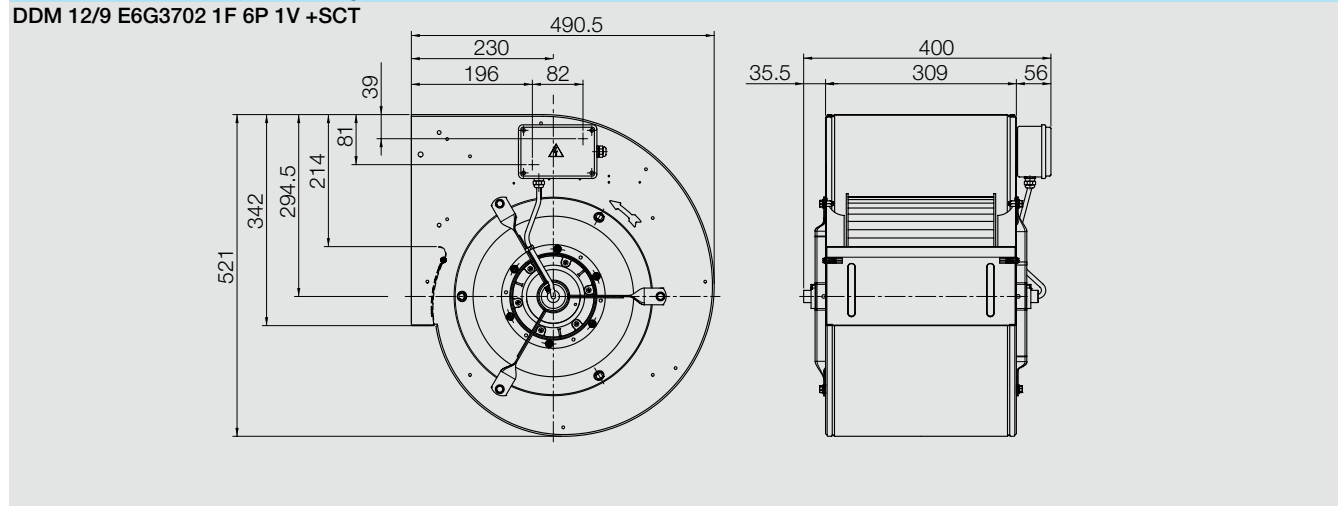
- (1) = Speed controllable via Transformer
- (2) = Speed controllable via TRIAC or Transformer
- (3) = Speed controllable via Inverter
- * = No speed control available
- [HI] High speed, [ME] Medium speed, [LO] Low speed

Attention! We suggest to do not use the fan in the grey marked area! The noise ratings given in the performance curves are sound power level L_{WA7} , see „Technical Description“.

Curves



Dimensions in mm, Subject to change.



DDM 12/9

E6G2702 1F 6P 1V

Technical Data

DDM 12/9 E6G2702	Speed control	Curves	Nominal motor power W	Poles -	Phases	Connection	Mains frequency Hz	Max. power consumption W	Max. current consumption A	Speed 1/min
1F 6P 1V	(2)	[03]	590	6	1~		50	1578	6.9	860

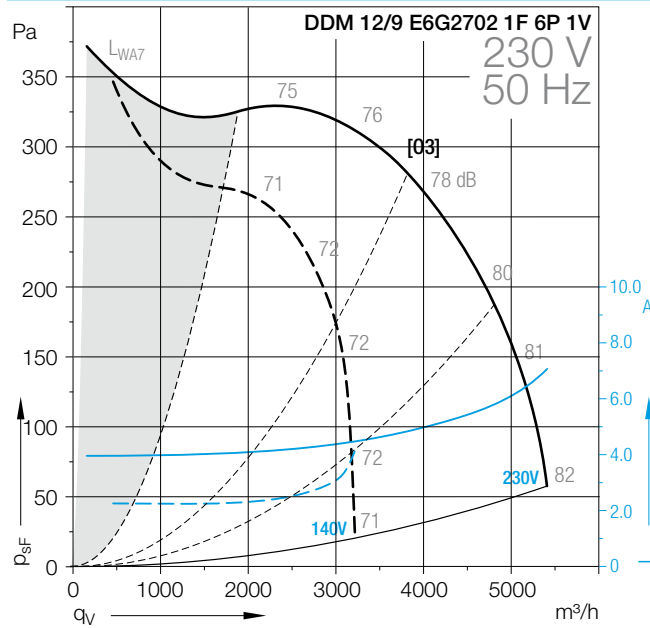
Technical Data

DDM 12/9 E6G2702	Operating Capacitor μF	Nominal capacitor voltage V	Motor protection class	Motor thermal class	Thermal protection	Media Temperature max. °C	Fan weight kg	Density of media kg/m³	Installation type (ISO 5801)	Article number
1F 6P 1V	25	500	IP10	F	EXT	40	34	1.2	B	6102CL

(1) = Speed controllable via Transformer
 (2) = Speed controllable via TRIAC or Transformer
 (3) = Speed controllable via Inverter
 * = No speed control available
 [H] High speed, [ME] Medium speed, [LO] Low speed

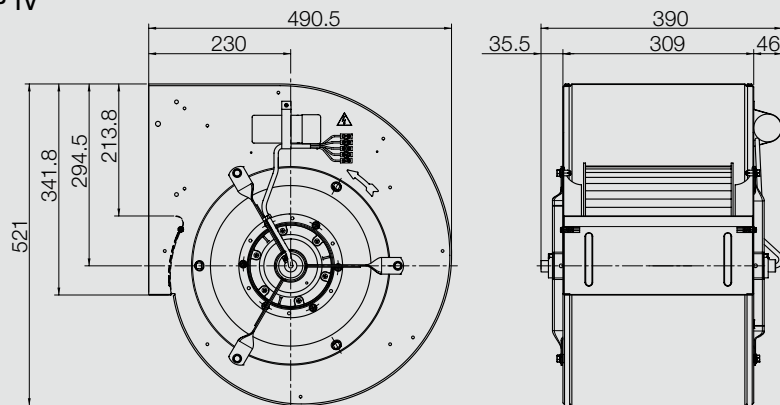
Attention! We suggest to do not use the fan in the grey marked area! The noise ratings given in the performance curves are sound power level L_{WA7} , see „Technical Description“.

Curves



Dimensions in mm, Subject to change.

DDM 12/9 E6G2702 1F 6P 1V



DDM 12/9

E6G3703 1F 6P 3V +SCT

Technical Data

DDM 12/9 E6G3703	Speed control	Curves	Nominal motor power W	Poles	Phases	Connection	Mains frequency Hz	Max. power consumption W	Max. current consumption A	Speed 1/min
1F 6P 3V +SCT	*	[05]	500	6	1~		50	1020	4.5	860

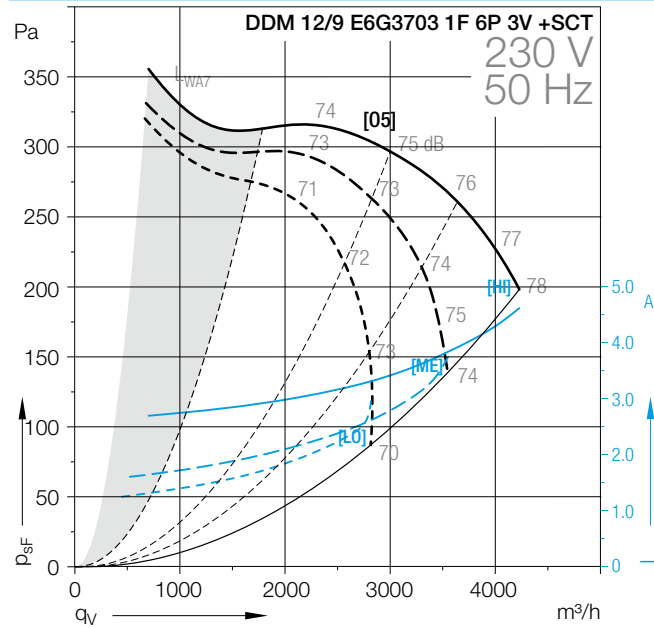
Technical Data

DDM 12/9 E6G3703	Operating Capacitor μF	Nominal capacitor voltage V	Motor protection class	Motor thermal class	Thermal protection	Media Temperature max. $^{\circ}\text{C}$	Fan weight kg	Density of media kg/m^3	Installation type (ISO 5801)	Article number
1F 6P 3V +SCT	20	450	IP55	F	EXT	40	34	1.2	B	6102CA

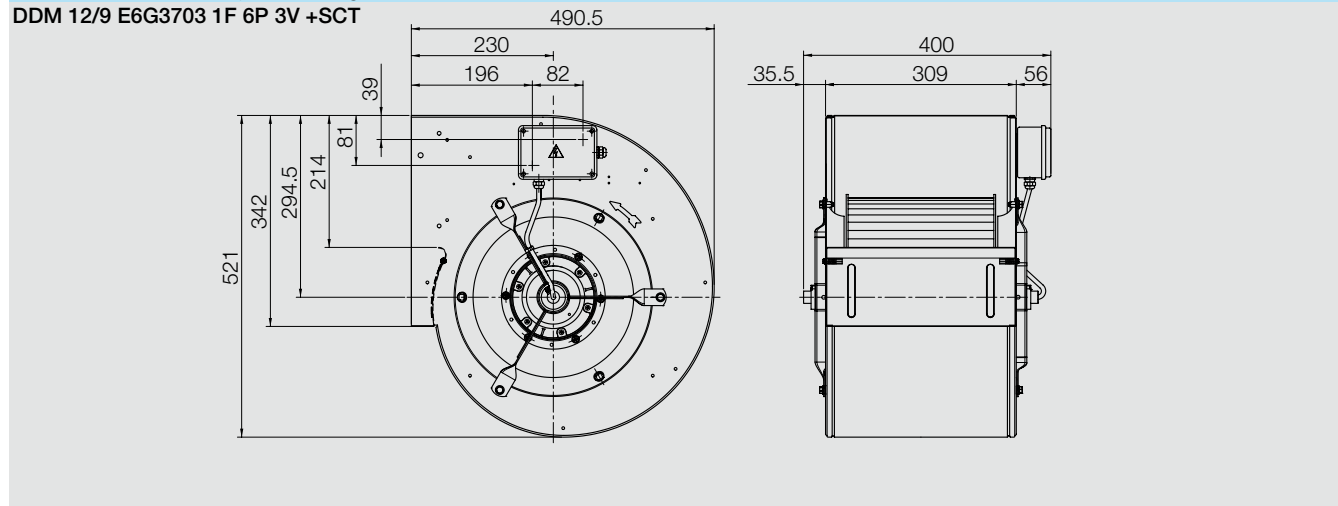
(1) = Speed controllable via Transformer
 (2) = Speed controllable via TRIAC or Transformer
 (3) = Speed controllable via Inverter
 * = No speed control available
 [HI] High speed, [ME] Medium speed, [LO] Low speed

Attention! We suggest to do not use the fan in the grey marked area! The noise ratings given in the performance curves are sound power level L_{WA7} , see „Technical Description“.

Curves



Dimensions in mm, Subject to change.



DDM 12/9

E6G3707 3F 6P 1V +SCT

Technical Data

DDM 12/9 E6G3707	Speed control	Curves	Nominal motor power W	Poles -	Phases	Connection	Mains frequency Hz	Max. power consumption W	Max. current consumption A	Speed 1/min
3F 6P 1V +SCT	*	[07]	550	6	3~	Δ/Y	50	1332	2.8	890

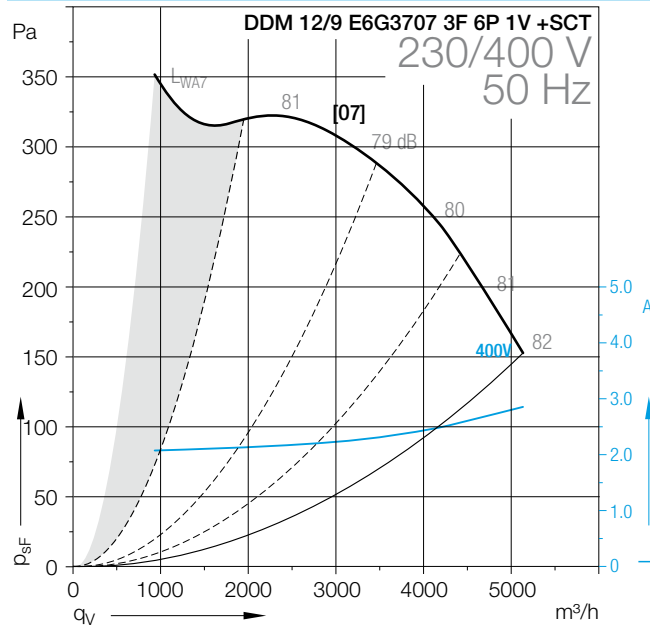
Technical Data

DDM 12/9 E6G3707	Operating Capacitor μF	Nominal capacitor voltage V	Motor protection class	Motor thermal class	Thermal protection	Media Temperature max. °C	Fan weight kg	Density of media kg/m³	Installation type (ISO 5801)	Article number
3F 6P 1V +SCT			IP55	F	EXT	40	34	1.2	B	61021R

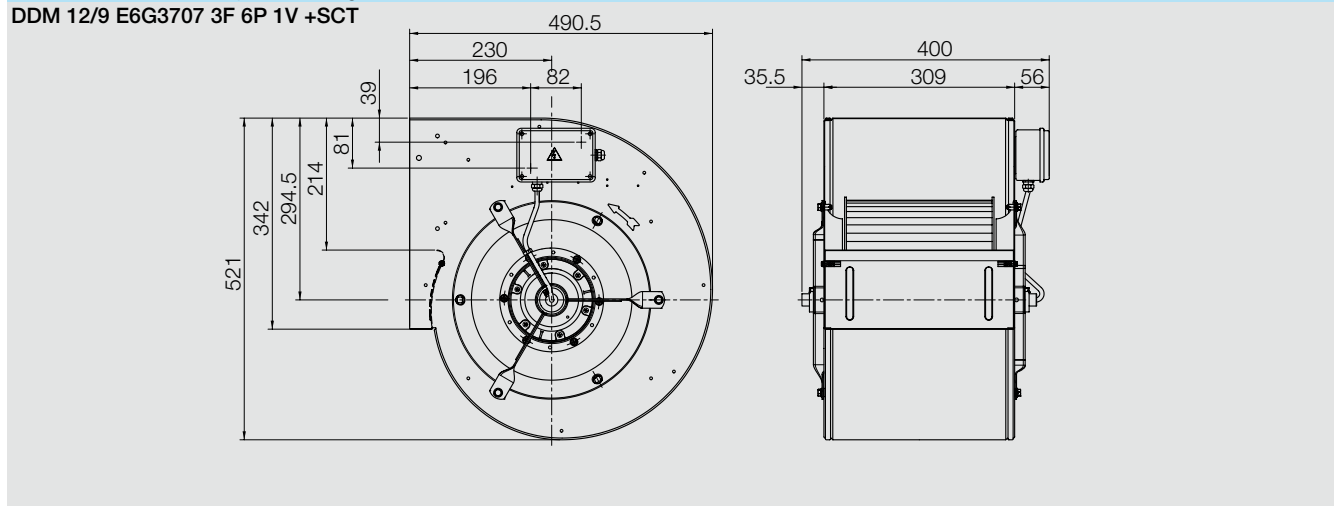
(1) = Speed controllable via Transformer
 (2) = Speed controllable via TRIAC or Transformer
 (3) = Speed controllable via Inverter
 * = No speed control available
 [H] High speed, [ME] Medium speed, [LO] Low speed

Attention! We suggest to do not use the fan in the grey marked area! The noise ratings given in the performance curves are sound power level L_{WA7} , see „Technical Description“.

Curves



Dimensions in mm, Subject to change.



DDM 12/12

M7A2 3F 4P 2V +SCT

Technical Data

DDM 12/12 M7A2	Speed control	Curves	Nominal motor power W	Poles	Phases	Connection	Mains frequency Hz	Max. power consumption W	Max. current consumption A	Speed 1/min
3F 4P 2V +SCT	(2)/(3)	[P1]	2200	4	3~	Δ/Y	50	5780	9.7	1400

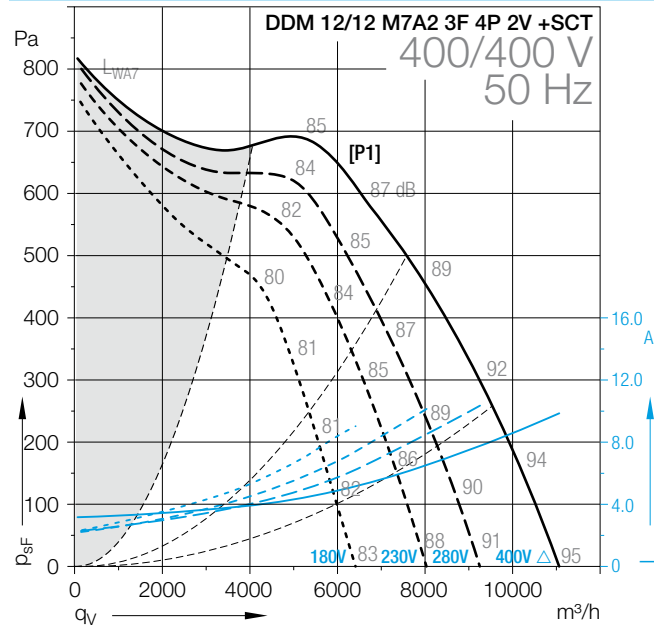
Technical Data

DDM 12/12 M7A2	Operating Capacitor μF	Nominal capacitor voltage V	Motor protection class	Motor thermal class	Thermal protection	Media Temperature max. °C	Fan weight kg	Density of media kg/m ³	Installation type (ISO 5801)	Article number
3F 4P 2V +SCT			IP54	F	EXT	40	59	1.2	B	6M02123

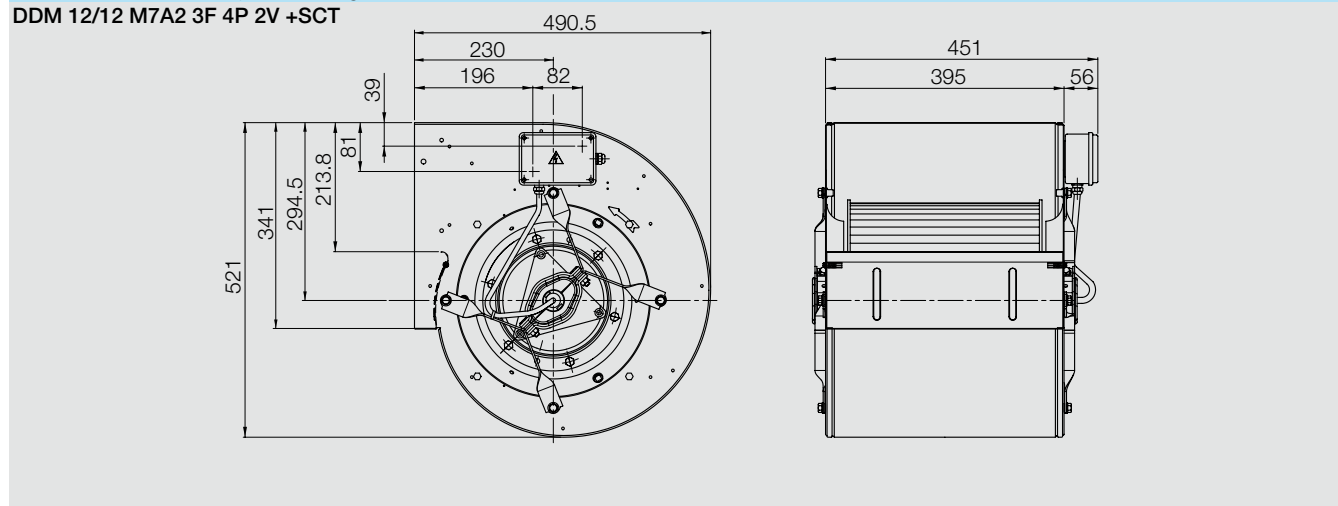
(1) = Speed controllable via Transformer
 (2) = Speed controllable via TRIAC or Transformer
 (3) = Speed controllable via Inverter
 * = No speed control available
 [HI] High speed, [ME] Medium speed, [LO] Low speed

Attention! We suggest to do not use the fan in the grey marked area! The noise ratings given in the performance curves are sound power level L_{WA7} , see „Technical Description“.

Curves



Dimensions in mm, Subject to change.



DDM 12/12

E6G3702 1F 6P 1V +SCT

Technical Data

	Speed control	Curves	Nominal motor power W	Poles -	Phases	Connection	Mains frequency Hz	Max. power consumption W	Max. current consumption A	Speed 1/min
DDM 12/12 E6G3702										
1F 6P 1V +SCT	(2)	[P3]	515	6	1~		50	1105	5	830

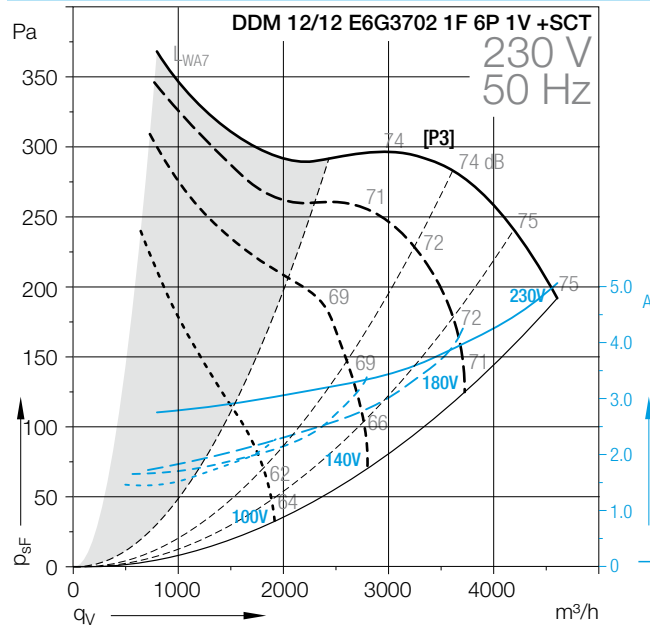
Technical Data

	Operating Capacitor µF	Nominal capacitor voltage V	Motor protection class	Motor thermal class	Thermal protection	Media Temperature max. °C	Fan weight kg	Density of media kg/m³	Installation type (ISO 5801)	Article number
DDM 12/12 E6G3702										
1F 6P 1V +SCT	20	450	IP55	F	EXT	40	36	1.2	B	6102N5

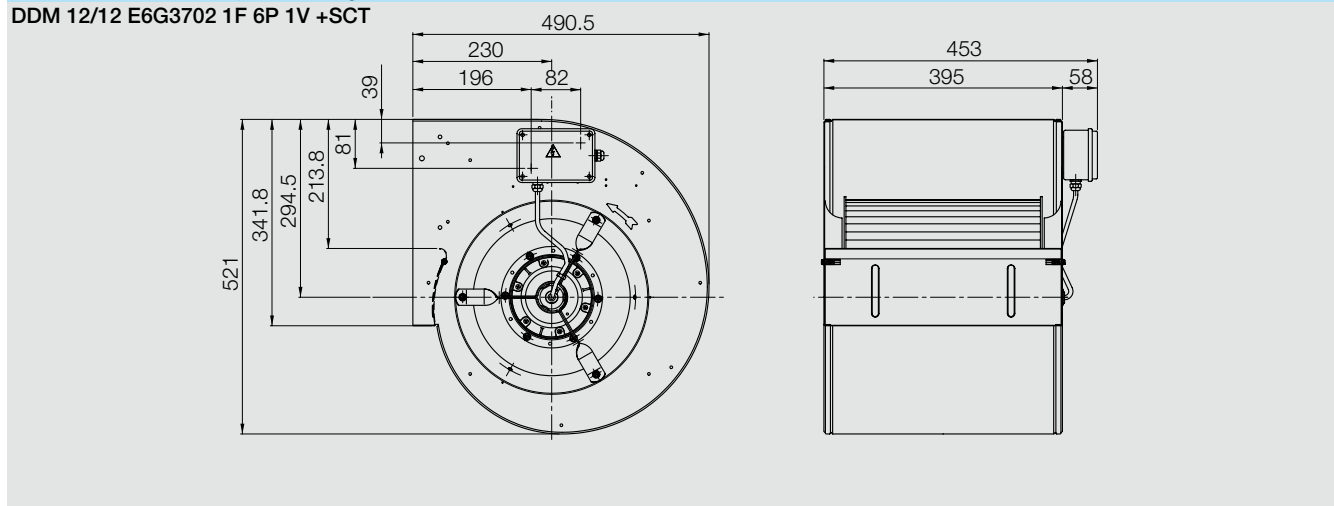
(1) = Speed controllable via Transformer
 (2) = Speed controllable via TRIAC or Transformer
 (3) = Speed controllable via Inverter
 * = No speed control available
 [H] High speed, [ME] Medium speed, [LO] Low speed

Attention! We suggest to do not use the fan in the grey marked area! The noise ratings given in the performance curves are sound power level L_{WA7} , see „Technical Description“.

Curves



Dimensions in mm, Subject to change.



DDM 12/12

E6G2702 1F 6P 1V

Technical Data

DDM 12/12 E6G2702	Speed control	Curves	Nominal motor power W	Poles	Phases	Connection	Mains frequency Hz	Max. power consumption W	Max. current consumption A	Speed 1/min
1F 6P 1V	(2)	[P5/P6]	590	6	1~		50/60	1560	6.9	860

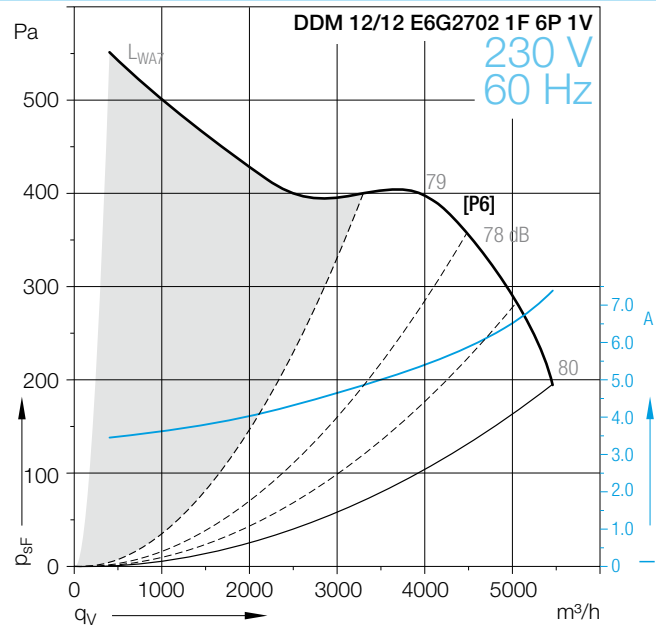
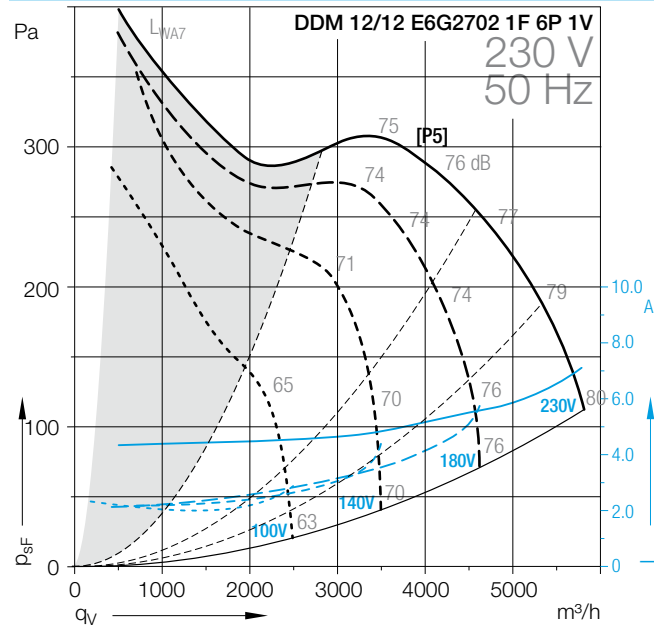
Technical Data

DDM 12/12 E6G2702	Operating Capacitor μF	Nominal capacitor voltage V	Motor protection class	Motor thermal class	Thermal protection	Media Temperature max. $^{\circ}\text{C}$	Fan weight kg	Density of media kg/m^3	Installation type (ISO 5801)	Article number
1F 6P 1V	25	450	IP10	F	EXT	40	36	1.2	B	6102AA

- (1) = Speed controllable via Transformer
- (2) = Speed controllable via TRIAC or Transformer
- (3) = Speed controllable via Inverter
- * = No speed control available
- [HI] High speed, [ME] Medium speed, [LO] Low speed

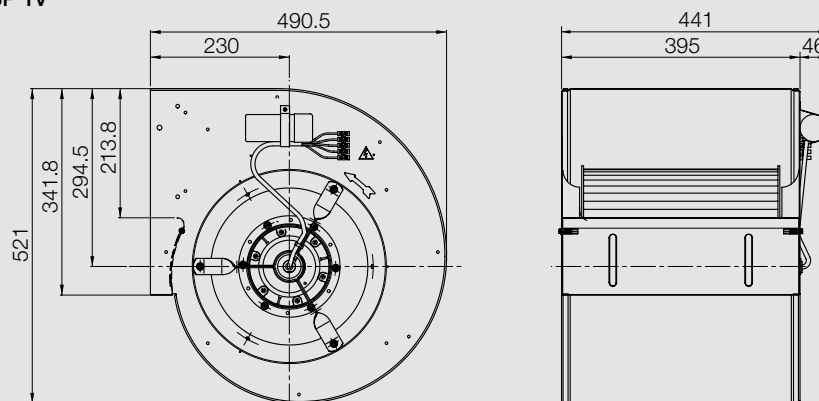
Attention! We suggest to do not use the fan in the grey marked area! The noise ratings given in the performance curves are sound power level L_{WA7} , see „Technical Description“.

Curves



Dimensions in mm, Subject to change.

DDM 12/12 E6G2702 1F 6P 1V



DDM 12/12

E6G3703 1F 6P 3V +SCT

Technical Data

DDM 12/12 E6G3703	Speed control	Curves	Nominal motor power W	Poles -	Phases	Connection	Mains frequency Hz	Max. power consumption W	Max. current consumption A	Speed 1/min
1F 6P 3V +SCT	*	[P7]	500	6	1~		50	1039	4.5	860

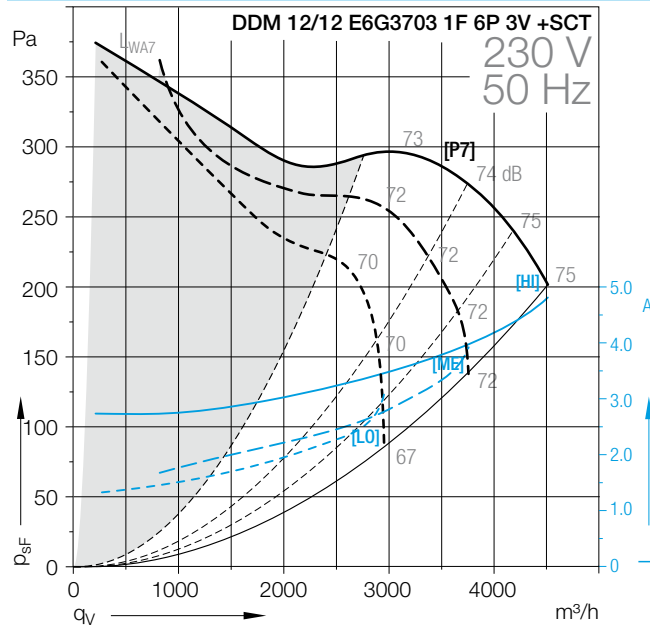
Technical Data

DDM 12/12 E6G3703	Operating Capacitor μF	Nominal capacitor voltage V	Motor protection class	Motor thermal class	Thermal protection	Media Temperature max. °C	Fan weight kg	Density of media kg/m³	Installation type (ISO 5801)	Article number
1F 6P 3V +SCT	20	450	IP55	F	EXT	40	32	1.2	B	6102K2

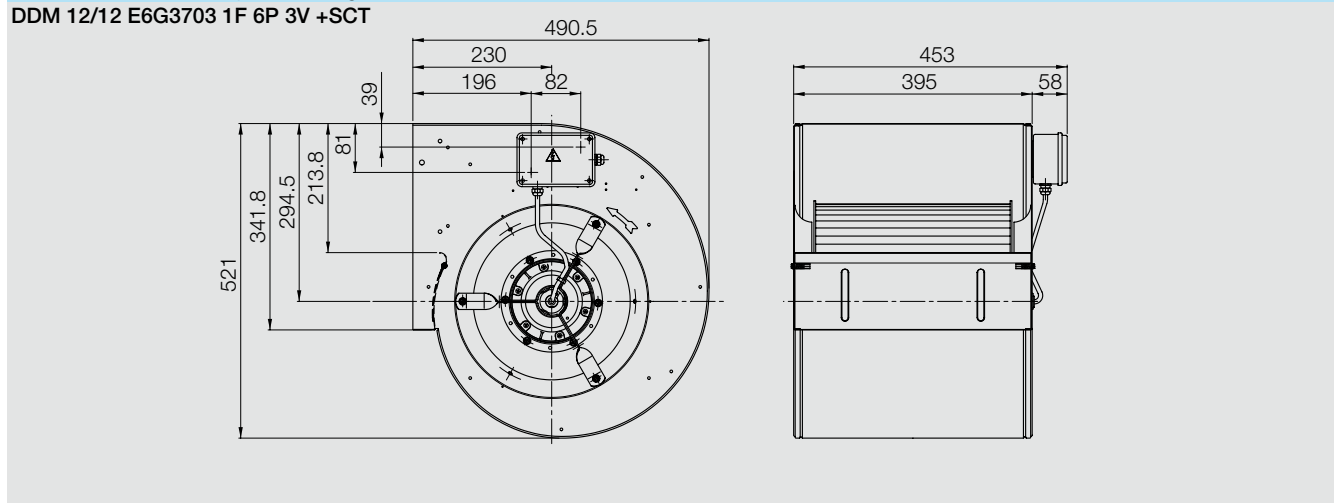
(1) = Speed controllable via Transformer
 (2) = Speed controllable via TRIAC or Transformer
 (3) = Speed controllable via Inverter
 * = No speed control available
 [H] High speed, [M] Medium speed, [L] Low speed

Attention! We suggest to do not use the fan in the grey marked area! The noise ratings given in the performance curves are sound power level L_{WA7} , see „Technical Description“.

Curves



Dimensions in mm, Subject to change.



DDM 12/12

E6G3707 3F 6P 1V +SCT

Technical Data

DDM 12/12 E6G3707	Speed control	Curves	Nominal motor power W	Poles	Phases	Connection	Mains frequency Hz	Max. power consumption W	Max. current consumption A	Speed 1/min
3F 6P 1V +SCT	*	[P9]	550	6	3~	Δ/Y	50	1437	2.8	890

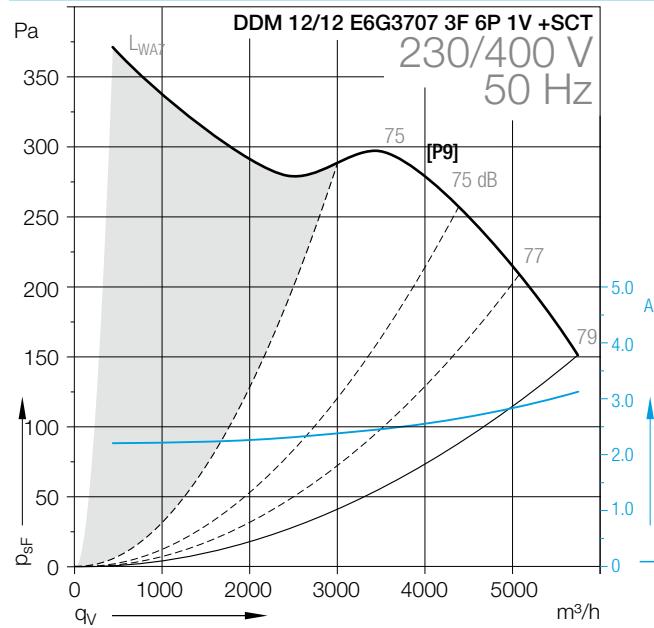
Technical Data

DDM 12/12 E6G3707	Operating Capacitor μF	Nominal capacitor voltage V	Motor protection class	Motor thermal class	Thermal protection	Media Temperature max. $^{\circ}\text{C}$	Fan weight kg	Density of media kg/m^3	Installation type (ISO 5801)	Article number
3F 6P 1V +SCT			IP55	F	EXT	40	34	1.2	B	61020R

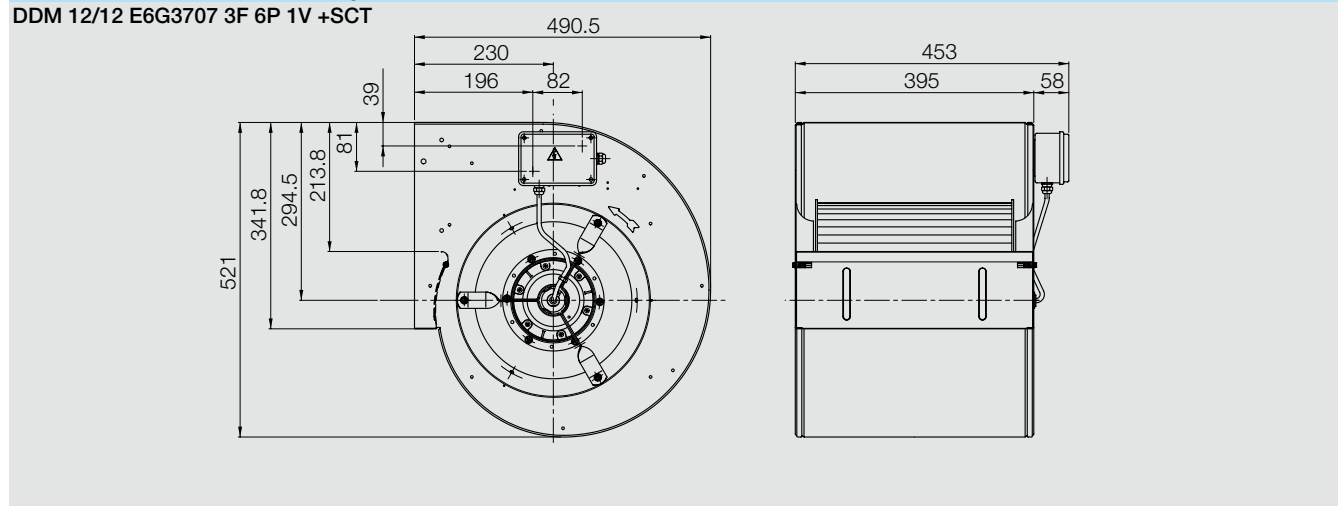
(1) = Speed controllable via Transformer
 (2) = Speed controllable via TRIAC or Transformer
 (3) = Speed controllable via Inverter
 * = No speed control available
 [HI] High speed, [ME] Medium speed, [LO] Low speed

Attention! We suggest to do not use the fan in the grey marked area! The noise ratings given in the performance curves are sound power level L_{WA7} , see „Technical Description“.

Curves



Dimensions in mm, Subject to change.



DDM 15/15

M7A3 3F 6P 2V +SCT

Technical Data

DDM 15/15 M7A3	Speed control	Curves	Nominal motor power W	Poles -	Phases	Connection	Mains frequency Hz	Max. power consumption W	Max. current consumption A	Speed 1/min
3F 6P 2V +SCT	(2)/(3)	[Q1]	1500	6	3~	Δ/Y	50	4410	7.9	930

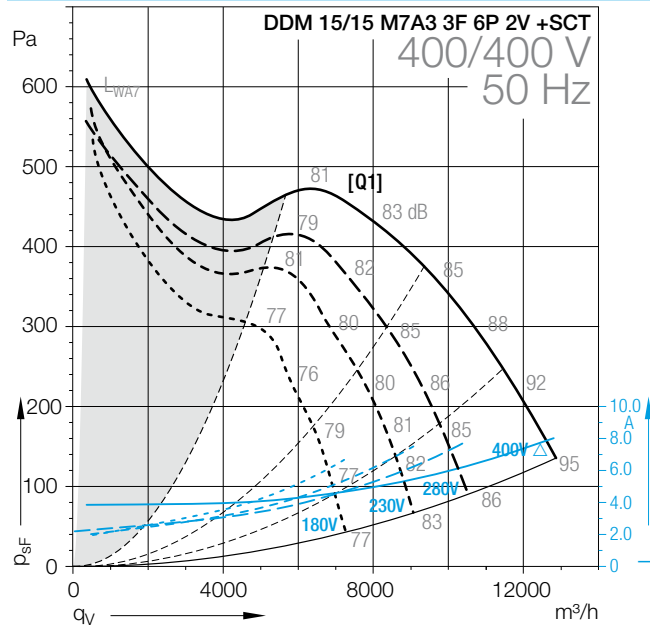
Technical Data

DDM 15/15 M7A3	Operating Capacitor μF	Nominal capacitor voltage V	Motor protection class	Motor thermal class	Thermal protection	Media Temperature max. °C	Fan weight kg	Density of media kg/m³	Installation type (ISO 5801)	Article number
3F 6P 2V +SCT			IP54	F	EXT	40	60	1.2	B	6M02124

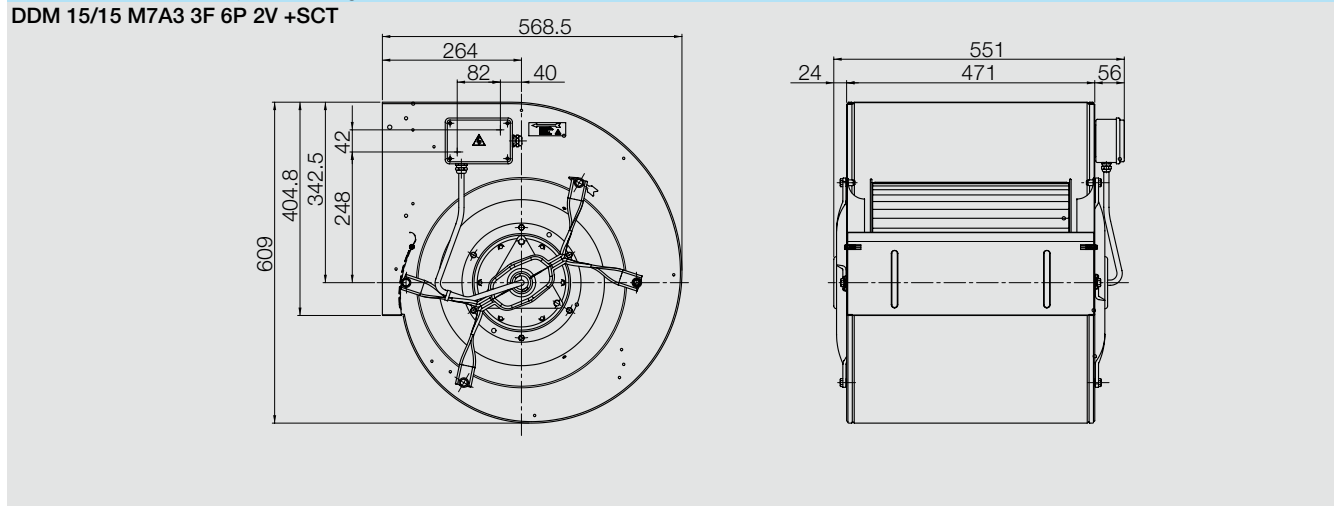
(1) = Speed controllable via Transformer
 (2) = Speed controllable via TRIAC or Transformer
 (3) = Speed controllable via Inverter
 * = No speed control available
 [H] High speed, [ME] Medium speed, [LO] Low speed

Attention! We suggest to do not use the fan in the grey marked area! The noise ratings given in the performance curves are sound power level L_{WA7} , see „Technical Description“.

Curves



Dimensions in mm, Subject to change.



DDM

Specifications



High performance centrifugal fan DDM

Double width, double inlet (DWDI), direct driven forward curved blades fan. Lap-jointed scroll of galvanized steel (EN 10142) assembled through a high technology roller-lock seaming for fan sizes 7 inches and larger, spot-welded scroll of Sendzimir galvanized steel for smaller sizes. Straight cut off plate at fan outlet. Impeller with forward curved blades of galvanized steel, directly mounted on an "External Rotor" motor for optimal motor cooling and no transmission losses. Open (IP10/IP20) **or** closed (IP32/IP44/IP54/IP55) motor frame; Motors may be **single or three-phase, single or multiple speed, speed-adjustable by voltage regulation through transformers or TRIAC regulators.** Motors suitable for use at **50 Hz or 60 Hz** are available. Built-in thermal protection devices *either in series or wired out* is standard fit. Maintenance free self-aligning ball bearings, vibration isolation pads. Impeller dynamically balanced in class 6.3, according to ISO 1940. Different fan options and accessories, motor types and sizes available - see technical data.

Fan data

Fan type	DDM	
Volume flow	q_V	m ³ /h
Static pressure	p_{sF}	Pa
Air density at fan inlet	ρ_1	kg/m ³
Air temperature	t	°C
Max. power consumption	P_e	kW
Speed	N	1/min
Frequency	f	Hz
Sound power level (A weighted)	L_{WA}	dB
Weight	m	kg

Fittings / Accessories

- ▶ Outlet flange - O
- ▶ Outlet flexible connection - A (sizes $\geq 7/7$)
- ▶ Mounting feet - O/A (sizes $\geq 7/7$)
- ▶ Terminal box - O
- ▶ Inlet guard -O/A
- ▶ Outlet guard - O/A
- ▶ Powder-coating - O
- ▶ TRIAC electronic regulators - A

Legend

O = Options
 A = Accessory
 O/A = The item could be delivered as an option or an accessory

Please, check availability of each individual option or accessory on each specific fan model.

Fittings / Accessories

Accessories

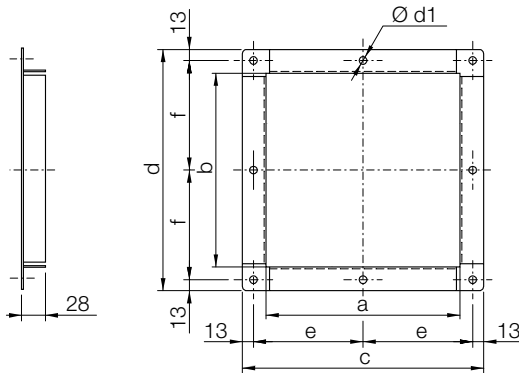
All options and accessories must be specified separately.
Please take the technical data and dimensions from the corresponding page of the catalogue.

Flanges



Made from galvanized or painted steel, to connect ducts and system components to the fan outlet side.

Dimensions in mm, Subject to change.



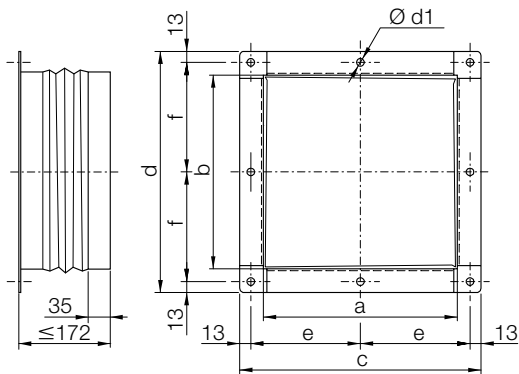
DDM	a	b	c	d	e	f	Ø d1
7/7	232	201	288	257	131	115.5	9
9/7	232	255	288	311	131	142.5	9
9/7 TIGHT	232	263	288	311	131	142.5	9
9/9	298	255	354	311	164	142.5	9
9/9 TIGHT	298	263	354	311	164	142.5	9
10/8	265	284	321	340	147.5	157	9
10/10	331	284	387	340	180.5	157	9
12/9	309	334	365	390	169.5	182	9
12/12	395	334	451	390	212.5	182	9
15/15	471	397	527	453	250.5	213.5	9

Fittings / Accessories

Flexible connection

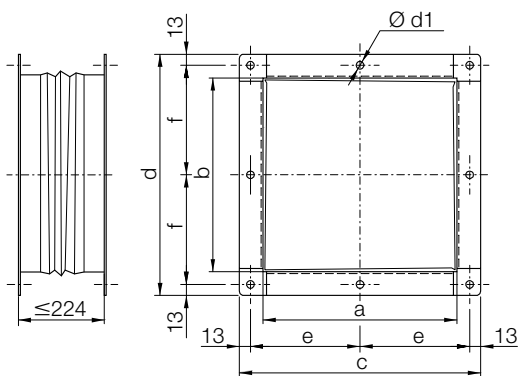
Flexible connection to connect the fan to system components or units, absorbing and stopping the vibration transmission.

Dimensions in mm, Subject to change.



DDM	a	b	c	d	e	f	$\varnothing d1$
7/7	232	201	288	257	131	115.5	9
9/7	232	255	288	311	131	142.5	9
9/7 TIGHT	232	263	288	311	131	142.5	9
9/9	298	255	354	311	164	142.5	9
9/9 TIGHT	298	263	354	311	164	142.5	9
10/8	265	284	321	340	147.5	157	9
10/10	331	284	387	340	180.5	157	9
12/9	309	334	365	390	169.5	182	9
12/12	395	334	451	390	212.5	182	9
15/15	471	397	527	453	250.5	213.5	9

Dimensions in mm, Subject to change.



DDM	a	b	c	d	e	f	$\varnothing d1$
7/7	232	201	288	257	131	115.5	9
9/7	232	255	288	311	131	142.5	9
9/7 TIGHT	232	263	288	311	131	142.5	9
9/9	298	255	354	311	164	142.5	9
9/9 TIGHT	298	263	354	311	164	142.5	9
10/8	265	284	321	340	147.5	157	9
10/10	331	284	387	340	180.5	157	9
12/9	309	334	365	390	169.5	182	9
12/12	395	334	451	390	212.5	182	9
15/15	471	397	527	453	250.5	213.5	9

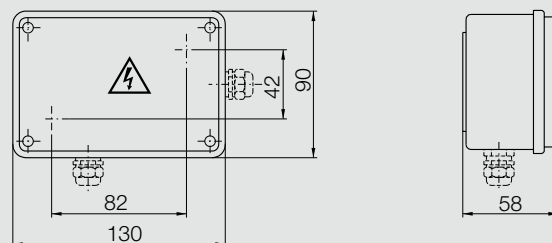
Terminal box



Each fan is equipped with a loose cable, a terminal strip or a terminal box (see specific catalog data for details)

The terminal box is commonly fitted to the side plate of the fan. It is made of plastic material and provided with cable glands. A schematic diagram, always provided with the fan, displays the proper electrical connection.

Dimensions in mm, Subject to change.



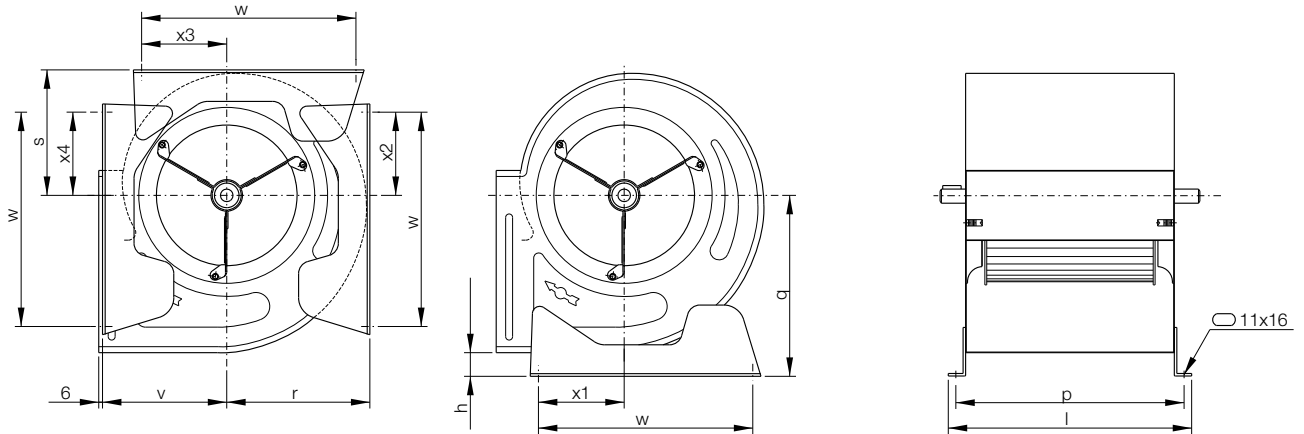
Fittings / Accessories

Mounting feet



Feet made from galvanized steel, either mounted or loose, enable the fan to be installed with a 0, 90 and 270 orientation.

Dimensions in mm, Subject to change.



DDM	h	l	p	q	r	s	v	w	x1	x2	x3	x4
7/7	17	282	258	203	169	145	147	225	117	86	88	47
9/7	38	282	258	253	199	177	179	300	119	124	123	120
9/7 TIGHT	17	282	258	202	170	149	–	225	120	86	97	–
9/9	38	348	324	253	199	177	179	300	119	124	123	120
9/9 TIGHT	17	348	324	202	170	149	–	225	120	86	97	–
10/8	38	315	291	287	227	198	197	340	136	132	135	132
10/10	38	381	357	287	227	198	197	340	136	132	135	132
12/9	38	359	335	332	266	232	224	408	161	153	161	153
12/12	38	445	421	332	266	232	224	408	161	153	161	153
15/15	38	521	497	380	309	272	258	495	197	211	201	200

Protection guards



Inlet or outlet protection guards are available as accessories from size 7/7 to 10/10, for bigger sizes and for further information, please contact Nicotra Gebhardt technical department.

Increased corrosion protection

Nicotra Gebhardt fans are provided – as a standard equipment – with a highly efficient corrosion protection but, in the event of extremely high corrosion risk, additional corrosion protections might be required.

Following to the application and corrosion stress conditions, special coatings of various types and thickness can be supplied on request.

Fittings / Accessories

RVM - Single-phase manual regulator



Electronical speed control unit producing a stepless modulated output voltage for fans with speed controlled single phase motors

Execution

Casing made of impact resistant plastic.

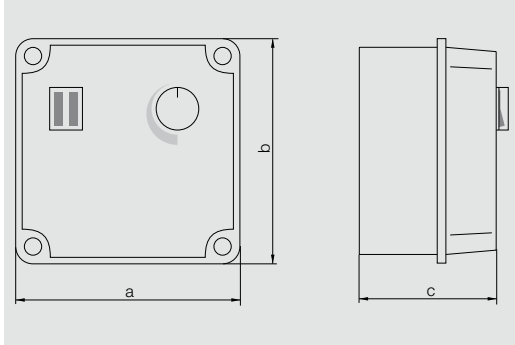
Function

The speed controller is equipped with an EMC-filter, a turning knob for speed control starting at a fixed rpm-value, an operation indicating light (RVM 5I, RVM 9I, RVM 20I), and an internal fuse protection.

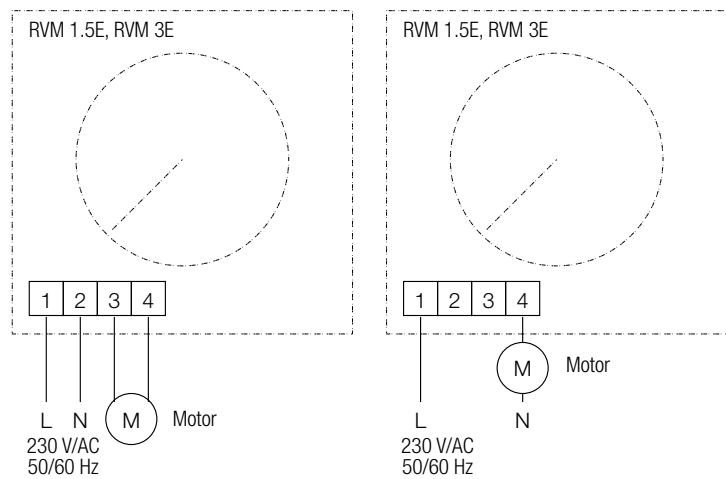
Technical Data

	Article number	Nominal voltage V	Max. current A	Frequency Hz	Protection class	Temperature range °C	Fuse	a mm	b mm	c mm
RVM 1.5E	K43157	230	1.5	50/60	IP20	0 ... +40	5X20 10A FAST	82	82	38
RVM 3E	K43142	230	3	50/60	IP20	0 ... +40	5X20 10A FAST	82	82	38
RVM 5I	K43143	230	5	50/60	IP54	0 ... +40	5X20 10A FAST	125	125	90
RVM 9I	K43144	230	9	50/60	IP54	0 ... +40	6.3X32 20A FAST	125	125	105
RVM 20I	K43139	230	20	50/60	IP54	0 ... +40	6.3x32 32A GL	175	175	105

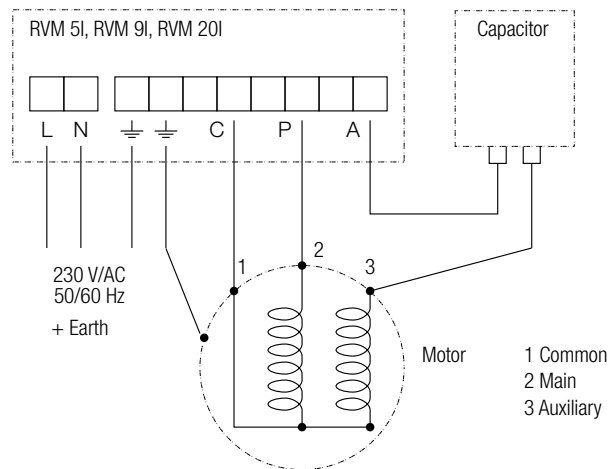
Dimensions



Wiring Diagram



Wiring Diagram



Fittings / Accessories

RVT - Three-phase manual regulator



Electronical speed control unit producing a stepless modulated output voltage for fans with speed controlled three phase motors.

Execution

Plastic casing with cast aluminium base plate, IP54 protection class.

Function

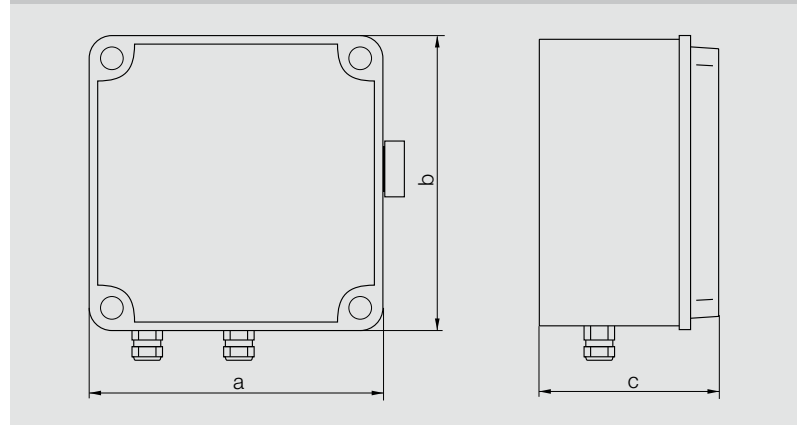
With the control unit a setting of the minimum speed value as well as the maximum speed is provided. It is equipped with an internal overload protection and, as an option, there are contacts provided for connecting the thermo contacts (PTO) in the motor winding.

Following to switching the unit on, the controller automatically is operating a softstart of the motor up to the speed which is set by the position of the potentiometer. By turning the potentiometer the motor speed will be changing due to driving it with a varying voltage through phase cutting.

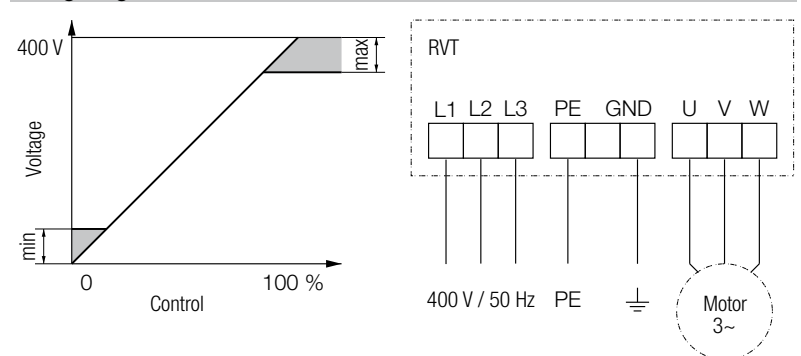
Technical Data

	Article number	Nominal voltage V	Max. current A	Frequency Hz	Protection class	Temperature range °C	Fuse	a mm	b mm	c mm
RVT 3A	K43114	400	3	50/60	IP54	0 ... +40	6x32 GF10	175	175	105
RVT 6A	K43115	400	6	50/60	IP54	0 ... +40	6x32 GF20	175	175	105
RVT 9A	K43116	400	9	50/60	IP54	0 ... +40	6x32 GF20	175	250	105

Dimensions



Wiring Diagram



Fittings / Accessories

Star-delta switch



Enclosed selector for star-delta motor configuration for three-phase motors.

Execution

Insulated polycarbonate module, IP66 protection degree. front mounting, silver front panel, 60 switching angle, terminals accessible both from mounting direction or laterally, data rated according to IEC 60947.

Function

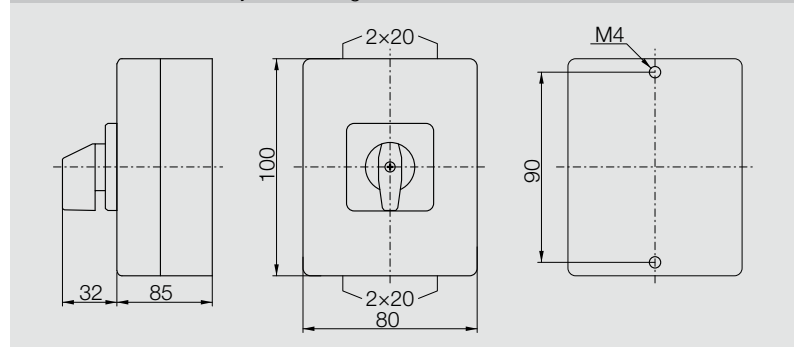
A 3-position changeover switch for 0 = Motor OFF, Y = STAR motor configuration, Δ = DELTA motor configuration. It must be installed between the 3-phase power supply (L1, L2, L3) and a 3-phase controllable motors, having the STAR-DELTA terminals externally available (U1, V1, W1 and U2, V2, W2 respectively). It provides a safe way to switch between the STAR and DELTA motor configurations, changing, in this way, between the high (DELTA) and low (STAR) motor speed.

The switch can't be used as STAR/DELTA motor starter!

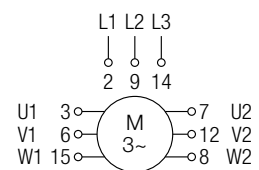
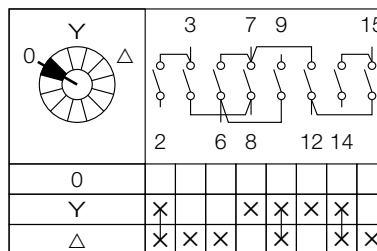
Technical Data

	Article number	Nominal voltage V	Nominal current A	Frequency Hz	Protection class	Temperature range °C
M200	K43131	400	16	50/60	IP66	-25 ... +40

Dimensions in mm, Subject to change.



Wiring Diagram



Description

Safety

These fans are intended to be incorporated into finished products for the treatment of clean and filtered air, free of dust, particles, shavings, grease, etc., within the rated ranges of temperature and electrical supply.

The design of the installation shall guarantee the essential safety requirements, as specified by the locally enforceable legislation, including safety against human contact with moving parts, e.g. by application of the design principles stated in EN ISO 12100.

When the inlet and/or outlet of a fan are connected to a ducting system, or to a closed plenum, including integral filters or grids, these may be designed also to provide the specified protection level.

Otherwise, the fan must be protected by fitting appropriate inlet or outlet guards, designed in accordance with EN ISO 13857, available from Nicotra Gebhardt as accessories or options.

Type code

	1V	2V	3V	4V	FL	SCT	SP	SB	GRG	GRGP
1F	2P	2V	3V							
3F	4P	3V	3V							
	6P	4V								
Single phase	2-pole	1-Speed			Outlet flange	Terminal box	Special version	Mounting Feet	Inlet guard	Outlet guard
Three phase	4-pole	2-Speeds								
	6-pole	3-Speeds								
		4-Speeds								

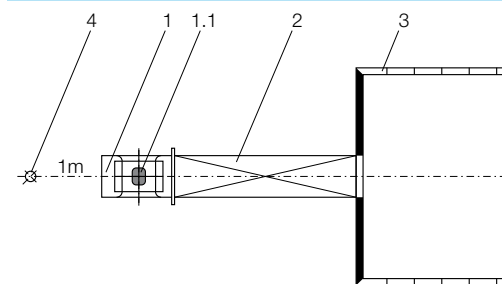
Performance data

Air performance ratings shown in this catalogue have been derived from performance tests made with installation type "B", with free inlet and ducted outlet.

The performance data shall be obtained in a laboratory registered by AMCA for AMCA 210/99 air performance testing. Data are not certified by AMCA.

Ratings are referred to the standard air density of $\rho_1 = 1.2 \text{ kg/m}^3$ at the fan inlet.

Sound



- 1 = Fan
- 1.1 = Motor
- 2 = duct on discharge
- 3 = Chamber
- 4 = Microphone position

In the diagrams, the A-weighted housing and free inlet sound power level L_{WA7} is given as the emission parameter for the ventilator.

The A-weighted noise level L_{pA7} for a distance of 1 m (see sketch) is achieved approximately in that the correction value given below is subtracted from the respective A sound power level.

It should be noted that site acoustics, duct design, reverberation, natural frequencies etc. can all influence noise to a greater or a lesser extent.

$$L_{pA7} \approx L_{WA7} - dL$$

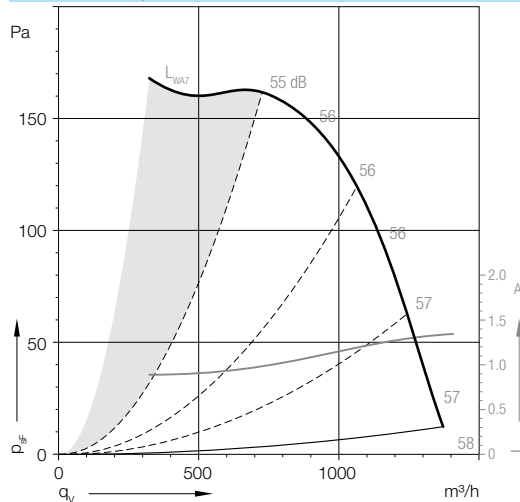
Correction values dL:

Size $\leq 10/10$: $dL = 11 \text{ dB}$

Size $\geq 12/9$: $dL = 13 \text{ dB}$

Description

Fan operating area



For a proper fan selection the duty point in the grey area to the left of the leftmost dashed parabolic line drawn on each performance diagram should preferably be avoided. In this area the fan stall is producing fluctuating pressure and fluctuating loads on the fan and motor; some single-phase motors may also be overheating in this low-load condition.

When the performance curves of a fan are cut to the right with continuous-line parabola, a fan selection with the duty point located below of this parabola shall be carefully avoided, because the drive motor would be overloaded and would be overheating. Such an operating condition may be evidenced by a motor input current exceeding the maximum rated value.

Fan lifespan

The high level of manufacturing technology and the use of selected materials provide a considerable fan operating lifetime.

In most applications, the fan components more subjected to wear are the motor bearings.

The bearings are sized to reach, using 80 % of the maximum allowed current and working at an air temperature not higher than 40 °C, a L_{10h} operating life of 20,000 hours. This means a 7 years fan lifetime, for fans running 8 hours a day.

Media

This range of fans are specially designed for use into air handling units (AHU) and ventilation systems.

The centrifugal fans are ideal for conveying clean air. The allowed air temperature comes from -20 °C to +40 °C.

Motors

Most motors have "F" ISO insulation class but some of the smaller models have nevertheless "B" ISO insulation class.

Motors could have IP32; IP44; IP54 or IP55 protection class (closed frame) or IP10; IP20 protection class (open frame).

Detailed information for each fan model are provided with fan specification on the product pages.

Motor protection

All standard production motors are equipped with an integrated thermal overload protectors (TOP), as protection against thermal overload.

TOP may be wired internally to windings and then they'll automatically stop the motor, if a overheating event occurs, and start the motor again once it is cooled down.

TOP may alternatively be externally wired, that means TOP terminals are available to the user in the motor terminal block or terminal box.

In this case, the TOP terminals can be manually connected in series between power supply and motor windings or, alternatively, to an external device that switches off the mains to prevent that the motor be damaged by an overheating conditions.

Description

Speed regulation generally

All standard production motors can always be used with transformers or devices which do not modify the sinusoidal wave line to change the fan speed is always allowed.

Speed regulation for fans equipped with single-phase motors

Single or multiple speed available. Single phase motors are generally suitable for speed regulation by changing the input voltage with our electronic single-phase RVM speed regulators (see chapter "Options/Accessories" for further information). The speed variable types are marked with an dot in the technical data tables. The reduced – voltage curves shown in the catalogue may be obtained by either using transformers or our RVM regulators. In the last case, we have commonly used a 2-wires connection for running currents up to 3 Ampere max and a 3-wires connection for higher running currents. Speed regulation of multi-speed fans is obtained by connecting the mains to the correct motor terminals according to the wiring diagram supplied with each fan.

Speed regulation for fans equipped with three-phase motors

Single or double speed available. Performance diagrams of single speed fans usually shows only the curve referred to a 230 V star – 400 V delta configuration. Performance diagrams of double speed fans usually shows the curves referred to a 400 V star (high speed) – 400 V delta (low speed) configurations. The use of RVT controllers or inverter is only acceptable with special motors equipped with a reinforced insulation of the windings. In this case, these devices shall be in accordance with the requirements of IEC/TS 60034-17:2006.

Accessories

Frequency converter



Design

Frequency inverter with variable output voltage and frequency, specially designed for the operation of centrifugal fans with induction motors. Due to the use of modern power semiconductors it is possible to achieve a speed of revolution with high efficiency. Switching frequencies up to 16 kHz can be set with all types. If the highest switching frequencies are required (for example for reasons of noise reduction), the maximum output current is decreased, in which case the performance category should be specially checked.

The overall package includes the frequency inverter, filter for class B (for residential and commercial uses) as well as a control unit.

General Performance characteristics

Motor protection feature for motors with thermistor temperature sensors, adjustable acceleration and deceleration ramps, minimum and maximum rotation speeds, fixed rotation speeds, trapping switch during operation, programmable inputs and PI-controller (MM420 and MM430 only), RS485 serial interface as well as a detailed operating instructions. Caution about combination with isolators (ESH)! Special EMC-action can be necessary, furthermore do not switch during operation, overvoltages can destroy the switch and the motor-winding.

Performance range G110 1AC 230V (for single-phase AC supply)

0.25 kW to 2.2 kW rated motor power, 200 V to 240 V 10 % single-phase AC, 47 Hz up to 63 Hz, three-phase current output 3×230 V AC, protection class IP20. Permitted ambient temperature during operation: -10 °C up to +40 °C.

Performance range MM420 3AC 400V (for three-phase AC supply)

0.55 kW to 11 kW rated motor power, 380 V to 480 V 10 % three-phase AC, 47 Hz up to 63 Hz, three-phase current output 3×400 V AC, protection class IP20. Permitted ambient temperature during operation: -10 °C up to +50 °C. The interference suppression filter required to comply with the EMC basic interference suppression standard EN 50081-1 (residential and commercial uses) is integrated into the package as substructure option. Power choke to comply with EN 61000-3-2 as additional component.

Observe performance reduction when using high clock frequencies!

Performance range MM430 3AC 400V

(for three-phase AC supply)

15 kW to 250 kW rated motor power, 380 V to 480 V 10 % three-phase AC, 47 Hz up to 63 Hz, three-phase current output 3×400 V AC, protection class IP20. Permitted ambient temperature during operation: -10 °C up to +50 °C. The interference suppression filter required to comply with the EMC basic interference suppression standard EN 50081-1 (industrial applications) is partially integrated. In order to attain EMC requirements Class B a frequency inverter without filter should be selected. The appropriate EMC-B filter is then required as an additional component.

Observe performance reduction when using high clock frequencies!

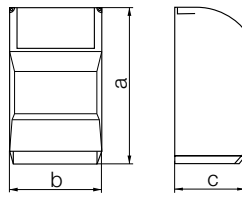
The indicated ratings of the units are made for a quick selection. The exact dedication of an inverter in this catalogue is made by taking into account of the max. admitted current at a pulse frequency of 4 kHz. It is important to know that at higher pulse frequencies the supplied current of the inverter will be decreasing, with the possible consequences of having to select a larger inverter unit. Also longer feed lines or additional radio frequency filters may lead to the choice of a larger inverter size.

The selected frequency inverters (G110 und MM420) are units contains the frequency inverter (as shown in the following tables) with the matching interference suppression filter (Class B) and a control panel. A further component is the line choke which is available as an accessorie. For more information the available frequency inverters are shown in the following tables.

Accessories

Frequency converter

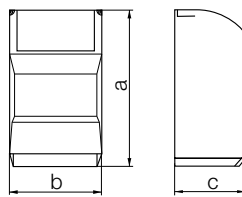
Technical Data | Dimensions



For three-phase AC motors on the single-phase supply.

6SL3211-	Nominal power kW	Nominal current A	a mm	b mm	c mm	Weight kg
0AB12-5BA0	0.25	1.7	150	90	116	0.8
0AB13-7BA0	0.37	2.3	150	90	116	0.8
0AB15-5BA0	0.55	3.2	150	90	131	0.9
0AB17-5BA0	0.75	3.9	150	90	131	0.9
0AB21-1AA0	1.1	6	160	140	142	1.5
0AB21-5AA0	1.5	7.8	160	140	142	1.5
0AB22-2AA0	2.2	11	181	184	152	2.1

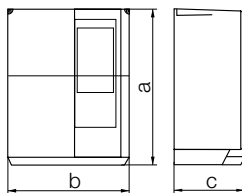
Technical Data | Dimensions



For three-phase AC motors on the three-phase supply

6SE6420-	Nominal power kW	Nominal current A	a mm	b mm	c mm	Weight kg
2UD15-5AA1	0.55	1.6	173	73	149	1
2UD17-5AA1	0.75	2.1	173	73	149	1
2UD21-1AA1	1.1	3	173	73	149	1
2UD21-5AA1	1.5	4	173	73	149	1
2AD22-2BA1	2.2	5.9	202	149	172	3.3
2AD23-0BA1	3	7.7	202	149	172	3.3
2AD24-0BA1	4	10.2	202	149	172	3.3
2AD25-5CA1	5.5	13.2	245	185	195	5
2AD27-5CA1	7.5	18.4	245	185	195	5
2AD31-1CA0	11	26	245	185	195	5

Technical Data | Dimensions



For three-phase AC motors on the three-phase supply

6SE6430-	Nominal power kW	Nominal current A	a mm	b mm	c mm	Weight kg
2AD31-5CA0	15	32	245	185	195	5.7
2AD31-8DA0	18.5	38	520	275	245	17
2AD32-2DA0	22	45	520	275	245	17
2AD33-0DA0	30	62	520	275	245	17
2AD33-7EA0	37	75	650	275	245	22
2AD34-5EA0	45	90	650	275	245	22
2AD35-5FA0	55	110	1150	350	320	75
2AD37-5FA0	75	145	1150	350	320	75
2AD37-8FA0	90	178	1150	350	320	75
2UD41-1FA0	110	180.4	1450	326	356	116
2UD41-3FA0	132	220	1450	326	356	116
2UD41-6GA0	160	265.8	1533	326	545	116
2UD42-0GA0	200	325.6	1533	326	545	116
2UD42-5GA0	250	419.8	1533	326	545	116

Accessories

Motor protection unit



Motor protection unit EUM 33

Motor protection unit for three-phase current motors (standard motors) without thermal contacts.

Design

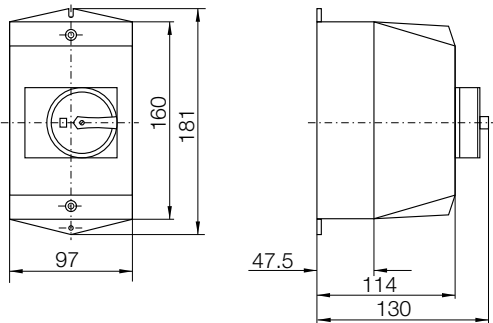
Plastic casing in protection class IP55, permissible ambient temperature +40 °C, 40 Hz up to 60 Hz, frontal operation, for wall mounting. Motor protection unit for single-speed, non-variable speed three-phase current motors without thermal contacts.

Function

The motor protection units must be adjusted on site to the trigger current. If the preset trigger current is exceeded, the device disconnects the motor from the mains supply via a thermal overload release. Pressing the "on key" causes the unit to turn on again.

All motor protection units EUM33 are also suitable for the protection of EExe-motors (PTB-Prüfung Gesch-Nr. 3.35/386.3060). They must however be mounted outside of explosion endangered areas, since they are not themselves designed with explosion protection.

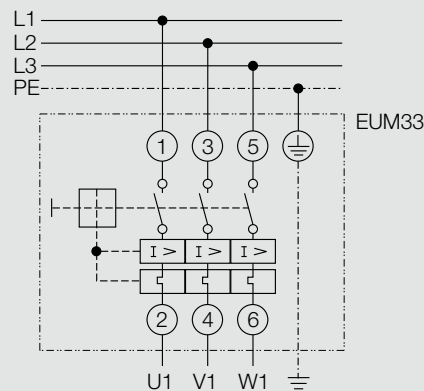
Dimensions in mm, subject to change.



Technical Data

EUM 33-	Continuous current A	Setting range A	Max. nominal power kW
0004-8D	0.4	+0.2...+0.4	0.09
0006-8D	0.6	+0.4...+0.6	0.12
0010-8D	1.0	+0.6...+1.0	0.25
0016-8D	1.6	+1.0...+1.6	0.55
0024-8D	2.4	+1.6...+2.4	0.8
0040-8D	4.0	+2.4...+4.0	1.5
0060-8D	6.0	+4.0...+6.0	2.5
0100-8D	10	+6.0...+10	4.0
0160-8D	16	+10...+16	7.5
0200-8D	20	+16...+20	9.0
0250-8D	25	+20...+25	12.5
0500-8D	50	+25...+50	25
0580-8D	58	+50...+58	30

Wiring Diagram



Accessories

Universal control device



Universal control device for installation in control cabinets Digital control module for controlling pressure, air velocity or volume flow (PI controller). For example, a transformer for fans is controlled via the 0...10 V output. The device is designed for installation in control cabinets.

Type

Multi functional LC-display for actual and nominal values (m/s, hPa = mbar, 100 m³/h). Menuassisted adjustment via three function keys.

Actual value input 0...10 V e. g. for:

- ▶ air speed sensors Type EIL in measuring ranges from 0...1 m/s and 0...10 m/s e. g. for:
 - Air velocity control in clean room technology.
- ▶ Pressure sensors Type EIP in measurement ranges 50Pa up to 4000Pa e. g. for:
 - Pressure control in canal systems of air conditioning systems (VVS) or
 - Flow control in centrifugal fans with pressure tapings in the inlet cone. The control module calculates the required flow (m³/h) from the differential measured pressure between the surrounding level and inlet cone, maximum volume flow 65536 m³/h.
- ▶ Output 0...10 V e. g. for controlling a transformer.
- ▶ Failure message is output via display (internal/external) and relay programmable.
- ▶ External set value specification via potentiometer or 0...10 V signal.
- ▶ Specification of two set values (day/night), can be switched over externally or via keyboard.
- ▶ Protection against unauthorised setting by keyboard code.

Application area

- ▶ Pressure regulation for centralised ventilation systems and variable volume flow systems for building air conditioning (VVS) e.g. in combination with a frequency inverter or a commutation unit or a transformer and a pressure sensor
- ▶ Volume flow regulation for centrifugal fans (with measuring stub in the inlet cone) e.g. in combination with a frequency inverter or a commutation unit or a transformer or a mini-interface inverter and a pressure sensor and the volume flow volumeter. Maximum volume flow 65536 m³/h.
- ▶ Air speed regulation for clean room systems, e.g. in combination with a transformer and an air speed sensor

Electrical connection and installation

Connection to 230 V, 50/60 Hz. The control module can be installed in a control cabinet door. Admissible relative humidity: 85 %, noncondensing. Power supply for the sensors included:

+24 V, 20 %, I_{max} = 70 mA.

Setting options

- ▶ Set values in the measurement range of the sensor (m/s, hPa = mbar), or in the volume flow range of the fan (×100 m³/h)
- ▶ Switch over of set value (day/night)
- ▶ Min./max. setting range
- ▶ Translation of performance curve (P component)
- ▶ Constant of integration can be selected (I component)
- ▶ Reversal of the effect of the control behaviour
- ▶ Rotation of the performance curve
- ▶ Switchover or programming of internal/external set value
- ▶ Sensor selection via keypad
- ▶ Programming for "Filter fault"
- ▶ Keypad code
- ▶ K factor entry (The K-factor can be found in the current lists of our fan line)

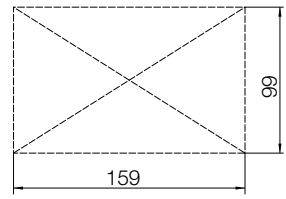
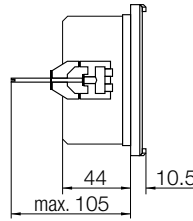
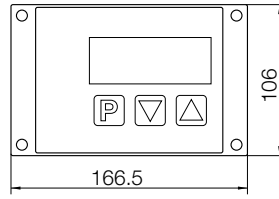
Technical Data

	Input voltage V	Output voltage V	Max. output current mA	Motor protection class	Operating consumption VA	Operating temperature °C
ERA 02-4000-5E	0...10	0...10	10	IP20	10	+0...+40

Accessories

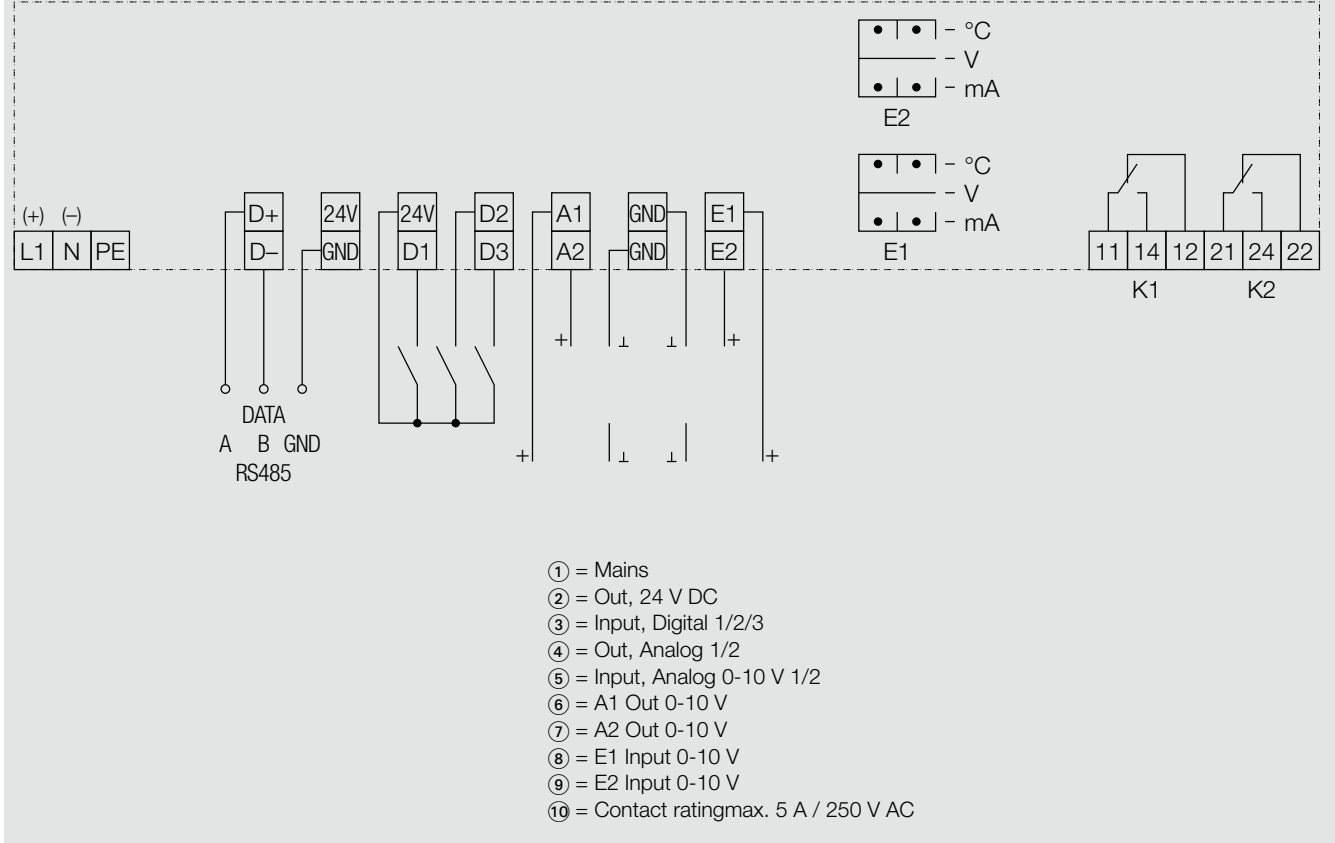
Universal control device

Dimensions in mm, subject to change.



Instrument panel window

Wiring Diagram



Accessories

Differential pressure sensor



Differential pressure sensor with membrane for measuring the pressure, negative pressure or differential pressure of nonaggressive gases.

Type

The differential pressure to be measured acts transformed into an output signal of 0...10 V by electronics (in SMD technology).

Application ranges

Volume flow regulators in centrifugal fans (with volume flow measuring device IMV) in connection with a frequency inverter type G110, MM420, MM430, or a universal regulator appliance type ERA 02-4000-5E in connection with a frequency regulator.

Electrical connection and installation

The differential pressure sensor delivers a starting signal (0...10 V) by pressure increase at the "Plus" connection opposite pressure on the "Minus" connection.

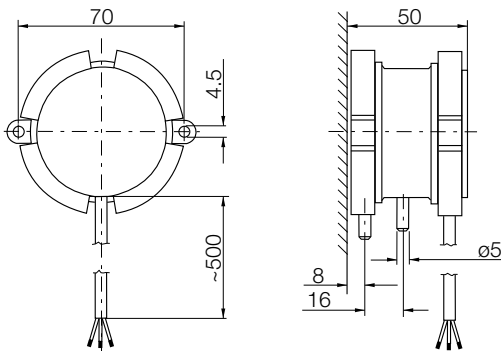
Voltage supply

- ▶ 15...30 V DC or 24 V AC, 15 %
- ▶ Pressure connections must point downward, tube connection ø5mm

Measuring accuracy

- ▶ Null drift: 0.75 %
- ▶ Sum of linearity and hysteresis: 1 %
- ▶ Temperature drift zero point: 0.3 %/10 K
- ▶ Temperature drift length of measurement: 0.2 %/10 K

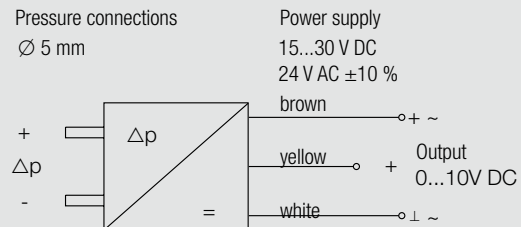
Dimensions in mm, subject to change.



Technical Data

EIP 01-	Pressure range Pa	Motor protection class	Max. current consumption mA	Overload protection Pa	Output signal proportional V	Operating temperature °C
0200-12	0 ... +200	IP65	12	20000	0 ... +10	0 ... +50
0500-12	0 ... +500	IP65	12	20000	0 ... +10	0 ... +50
1000-12	0 ... +1000	IP65	12	20000	0 ... +10	0 ... +50
2000-12	0 ... +2000	IP65	12	20000	0 ... +10	0 ... +50
4000-12	0 ... +4000	IP65	12	20000	0 ... +10	0 ... +50

Wiring Diagram



Accessories

Isolator ESH 21



Isolator
ESH 21 (≤3 kW)



Isolator
ESH 21 (≥5.5 kW)

The isolators are grouped according to motor rated power. All important characteristic data are evident from the model designation. E.g.: **ESH 21-0030-65**
= 3 kW switch - 6 main contacts - 5 auxiliary contacts

Design

Beautifully shaped, shock-resistant plastic casing. Protection class IP44/IP65, for sur-face mounting, switching symbols 0 and I. The isolator is fitted with connection terminals that are very accessible and has a con-nection diagram glued in the casing.

The **ESH21 up to 3 kW** is designed to IP44. It is equipped with an integrated locking mechanism.

The **ESH21 up to 5.5 kW** is designed to IP65. It is equipped with a coupling cover and an integrated locking mechanism. A padlock can in some cases be fitted to the rotary switch.

Function

The isolator disconnects the fan safely from the mains in the event of cleaning, maintenance or repair work on site and thus avoids accidents due to uncontrolled activation of the unit by third parties. It is no main switch or emergency switch.

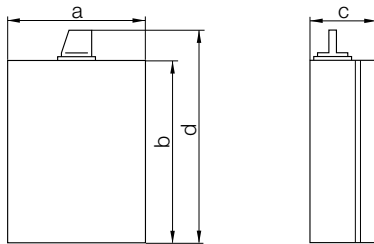
All of the classified isolators are fitted with potential-free contacts (1 closer and 1 opener).

The isolators for motors with a built-in thermal contact have on principle three supplementary auxiliary contacts, so that the pre-switched control device does not drop out during cleaning or servicing work due to motor.

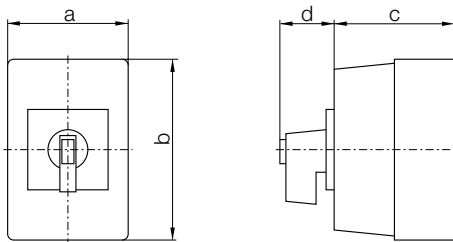
Caution about combination with frequency inverter!

Special EMC-action can be necessary, furthermore do not switch during operation, overvoltages can destroy the switch and the motor-winding.

Dimensions in mm, subject to change.



ESH 21 ≤3 kW



ESH 21 ≥5.5 kW

Technical Data

ESH 21-	Permissible motor power kW	a mm	b mm	c mm	d
0030-22	3	73	108	45	–
0030-25	3	73	108	45	–
0030-32	3	73	108	45	–
0030-35	3	73	108	45	–
0030-62	3	73	108	45	–
0030-65	3	73	108	45	–
0055-32	5.5	85	120	80	110
0055-65	5.5	125	125	126	157
0075-32	7.5	85	120	80	110
0075-35	7.5	85	120	80	110
0075-62	7.5	100	190	91	133
0075-95	7.5	125	125	126	157
0110-32	11	85	160	80	110
0110-62	11	100	190	91	133
0150-32	15	100	190	91	120
0150-62	15	145	250	100	145
0220-32	22	100	190	91	120
0220-62	22	145	250	100	145
0300-32	30	145	250	100	140
0300-62	30	200	300	172	200
0370-32	37	145	250	100	140
0370-62	37	200	300	172	200
0450-32	45	200	300	172	200
0450-62	45	300	300	172	210
0550-32	55	200	300	172	200
0550-62	55	300	300	172	210
0900-32	90	280	400	180	210
0900-62	90	280	280	260	327

Accessories

Isolator ESH 22

Design

Shock-resistant metal casing, black switch with symbols 0 and I. Protection class IP65 or IP54, for surface mounting (see determination in the tabular).

The isolator is fitted with connection terminals that are very accessible and has a connection diagram glued in the casing.

All isolators are equipped with a coupling cover and an integrated locking mechanism. In some cases a padlock can be fitted to the rotary switch.

Function

The isolator disconnects the fan safely from the mains in the event of cleaning, maintenance or repair work on site and thus avoids accidents due to uncontrolled activation of the unit by third parties. It is no main switch or emergency switch.

All of the classified isolators are fitted with potential-free contacts (1 closer and 1 opener).

The isolators for motors with a built-in thermal contact have on principle three supplementary auxiliary contacts, so that the preswitched control device does not drop out during cleaning or servicing work due to motor.

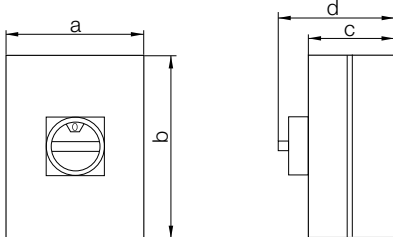
Use

The isolator ESH22 with metal casing is necessary, if screened components must be used. (e.g. frequency inverters or control engineering devices are used featuring electronic components).

Attention!

Do not switch during operation, overvoltages can destroy the switch and the motor winding!

Dimensions in mm, subject to change.



Technical Data

ESH 22-	Permissible motor power kW	a mm	b mm	c mm	d mm	Cable lead-through (top)	Cable leadthrough (bottom)
0075-32	7.5	122	120	120	120	2×PG21	2×PG21
0110-32	11	122	120	120	120	2×PG21	2×PG21
0150-32	15	180	180	130	130	2×PG21	2×PG21
0220-32	22	180	180	130	130	2×PG21	2×PG21
0300-32	30	230	280	150	150	2×PG29/1×PG16	2×PG29
0370-32	37	230	280	150	150	2×PG36/1×PG16	2×PG36
0075-62	7.5	180	180	130	130	1×PG29/1×PG16	2×PG29
0110-62	11	180	180	130	130	1×PG36/1×PG16	2×PG36
0150-62	15	230	280	150	150	2×PG36/1×PG16	2×PG36
0220-62	22	230	280	150	150	2×PG36/1×PG16	2×PG36
0300-62	30	230	280	150	150	2×PG36/1×PG16	2×PG36
0370-62	37	230	280	150	150	2×PG36/1×PG16	2×PG36
0055-35	5.5	180	180	100	100	2×PG21	2×PG21
0075-65	7.5	116	95	80	80	2×PG16	2×PG16
0075-95	7.5	116	95	80	80	2×PG16	2×PG16

The isolators are grouped according to motor rated power.

All important characteristic data are evident from the model designation. E.g.: **ESH 22-0075-65** = 7.5 kW switch - 6 main contacts - 5 auxiliary contacts

Notes

Quality management system

DIN EN ISO 9001

Nicotra Gebhardt quality is the result of a continuous company policy intended to guarantee that our product properties and features are clearly superior to comparable products.

This already established company maxim led in April 1985 to the auditing and certification of the existing quality management system. In the following years it was updated to match the changing international and European standards. Modern production processes, monitored by our quality management system, guarantee a high repeat accuracy in production.

This ongoing high standard of quality permits the establishing of the performance data in classes of accuracy in accordance with DIN 24166.

The narrow tolerances ensure a high level of data reliability for our products.

Machine Safety

The fans contained in this catalogue are not machines in the sense of the EC Machine Directive. They are delivered with a manufacturer "Declaration of incorporation".

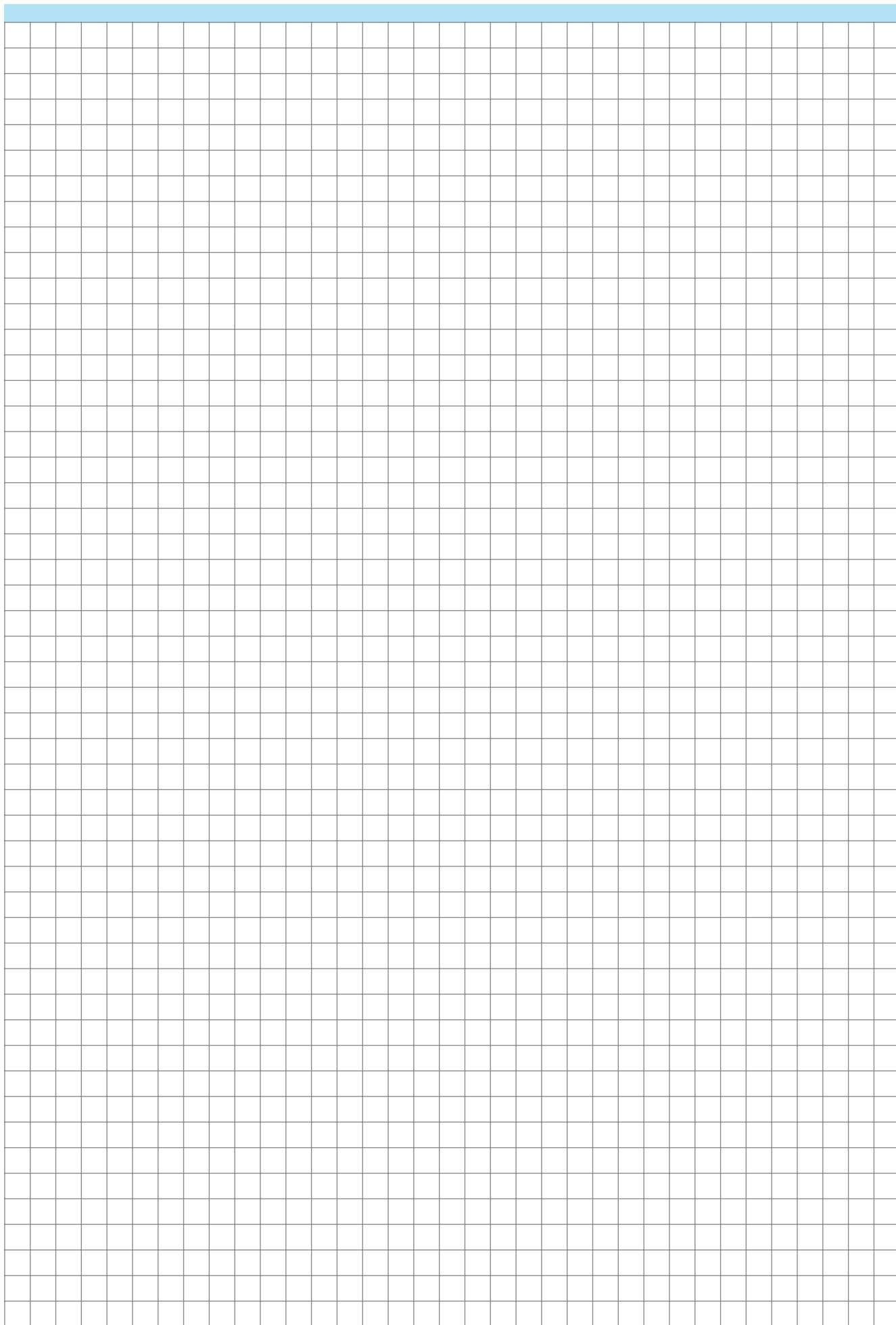
The assessment of the dangers associated with the fan and necessary safety measures are based on the VDMA Unit sheet 24167 : Fans; Safety requirements.

The operating instructions give which safety measures are still necessary on assembly to ensure that the fans comply with the Machine Directive 2006/42/EC.

Catalogue data

We reserve the right to change any measurements and technical data in this catalogue in accordance with further development of our products. All information valid at the time of printing.

Notes



Nicotra Gebhardt worldwide

nicotra-gebhardt.com

AUSTRALIA

65 Yale Drive,
Epping, VIC 3076
Phone +61 3 9017 5333
Fax +61 3 8401 3969
E-mail info@nicotra.com.au

BELGIUM

Haeghensgoed, 13 - 00/01
9270 Laarne
Phone +32 (0)9-336-00-01
Fax +32 (0)9-336-00-05
E-mail info.nicotra@nicotra.be

CHINA

88 Tai'An Road, XinQiao, ShiJi, Panyu
Guangzhou 511450
PR CHINA
Phone +86 (0)20-39960570
Fax +86 (0)20-39960569
E-mail sales@nicotra-china.com

FRANCE

Leader's Park Bat A1
3 chemin des Cytises
69340 Francheville
Phone +33 (0)4 72 79 01 20
Fax +33 (0)4 72 79 01 21
E-mail g.cauche@nicotra-gebhardt.com

GERMANY

Gebhardtstraße 19-25
74638 Waldenburg
Phone +49 (0)7942 101 0
Fax +49 (0)7942 101 170
E-mail info@nicotra-gebhardt.com

GREAT BRITAIN

Unit D, Rail Mill Way
Parkgate Business Park
Rotherham
South Yorkshire
S62 6JQ
Phone +044 01709-780760
Fax +044 01709-780762
E-mail sales@nicotra.co.uk

INDIA

Plot no 28F & 29, Sector-31, Kasna,
Greater Noida-201 308 U.P (India)
Phone +91 120 4783400
Phone +91 22 65702056 (Mumbai)
Phone +91 80 25727830 (Bangalore)
E-mail info@nicotraindia.com

ITALY

Via Modena, 18
24040 Zingonia (BG)
Phone +39 035 873 111
Fax +39 035 884 319
E-mail info@nicotra-gebhardt.com

Nicotra Gebhardt Germany

Nicotra Gebhardt GmbH
Gebhardtstraße 19-25
74638 Waldenburg
Germany
Phone +49 (0)7942 101 0
Fax +49 (0)7942 101 170
E-Mail info@nicotra-gebhardt.com



MALAYSIA

Lot 1799, Jalan Balakong
Taman Perindustrian Bukit Belimbing
43300 Seri Kembangan
Selangor
Phone +603 8961-2588
Fax +603 8961-8337
E-mail info_malaysia@nicotra-gebhardt.com

SPAIN

Ctra. Alcalá-Villar del Olmo, Km. 2,830
28810 Villalbilla-Madrid
Phone +34 918-846110
Fax +34 918-859450
E-mail info@nicotra.es

SINGAPORE

3, Science Park Drive, # 04-07, The Franklin
Singapore Science Park 1
Singapore 118223
Phone +65 6265 1522
Fax +65 6265 2400
E-mail info_singapore@nicotra-gebhardt.com

Nicotra Gebhardt Italy

Nicotra Gebhardt S.p.A
Via Modena, 18
24040 Zingonia (BG)
Italy
Phone +39 035 873 111
Fax +39 035 884 319
E-Mail info@nicotra-gebhardt.com

SWEDEN

Kraketorpsgatan 30
43153 Mölndal
Phone 0046 31-874540
Fax 0046 31-878590
E-mail info.se@nicotra-gebhardt.com

THAILAND

6/29 Soi Suksawadi 2, Moo 4, Suksawadi Road,
Kwang Jomthong, Khet Jomthong,
Bangkok 10150
Phone +662 476-1823-6
Fax +662 476-1827
E-mail sales@nicotra.co.th

UNITED STATES

PO BOX 900921
Sandy, Utah 84090
Phone 001(801) 733-0248
Fax 001(801) 315-9400
Mobile 001(801) 682 0898
E-mail mike.sehgal@gebhardtfans.com
<http://www.gebhardtfans.com/>

NICOTRA | **Gebhardt**
fan|tastic solutions