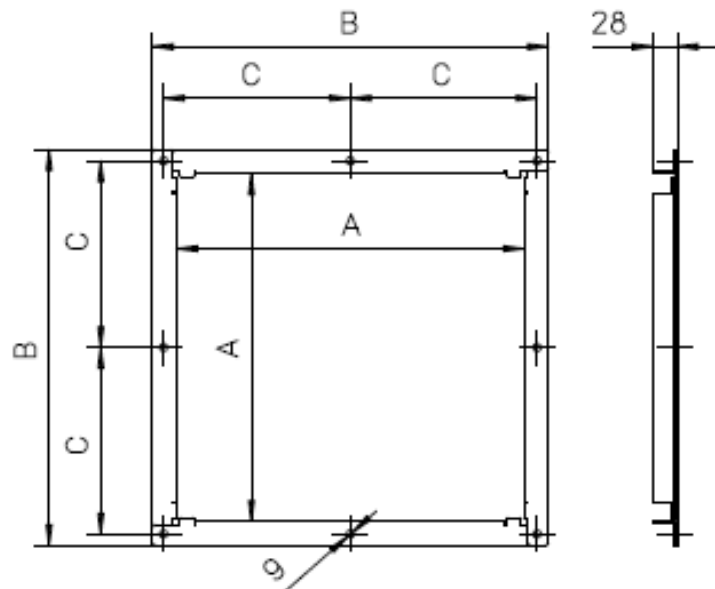


Accessories for double inlet centrifugal fans  
**Series ADH-E RDH-E RDA-E RDP**

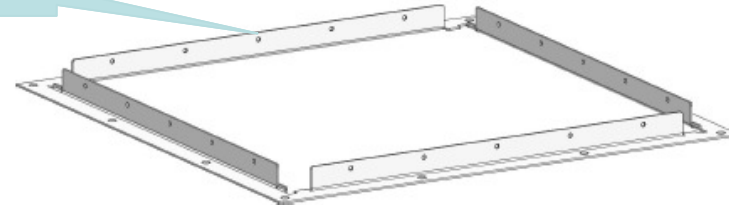


ZINGONIA, 2018

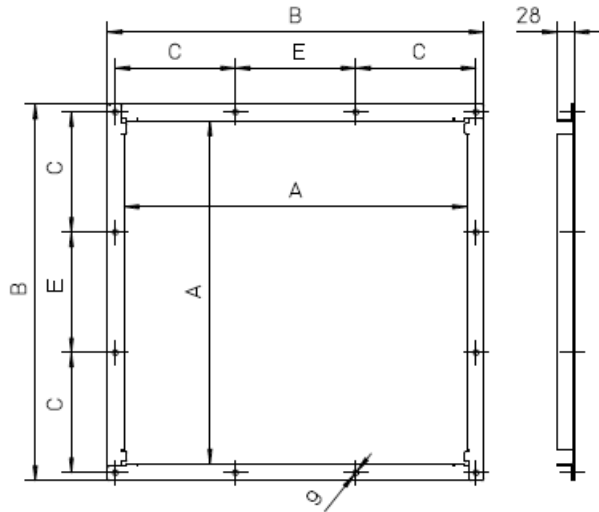
Accessory	Outlet flanges
To be used for:	Double inlet fans series: ADH-E, RDH-E, RDA-E
Material:	Galvanized steel to EN 10346 standard.
Special executions:	Upon request, special coating can be supplied as per Nicotra-Gebhardt SPACQ028 specification. The color is stone grey RAL 7030 minimum thickness 60µm (P1) or 120µm (P2).
Installation:	The flange shall be assembled with the four edges external to the side plate. <b>NB:</b> shortly the outlet flanges will be fitted with Ø5 holes on the four sides which can be coupled on the scroll. The flanges can be fixed using M5 bolts or Ø4,8.SS blind rivets.



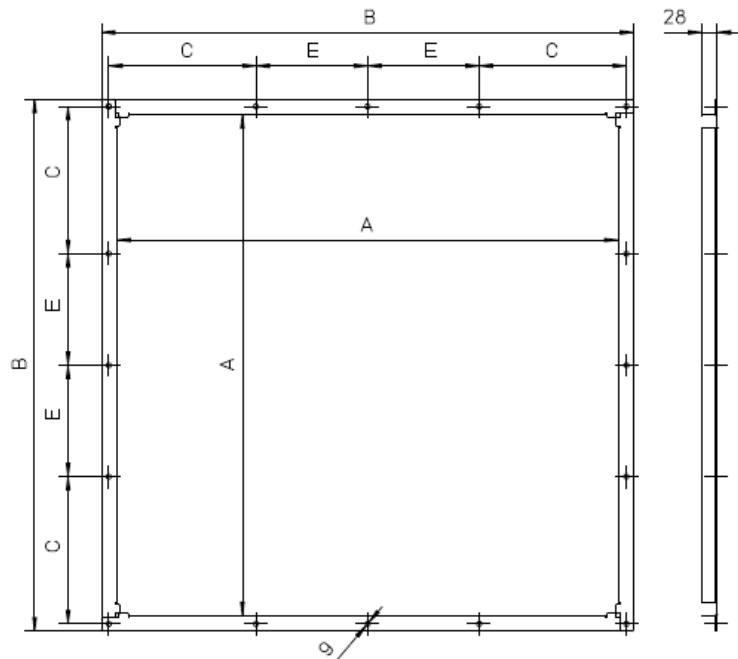
Holes Ø5



Size	Code	A	B	C
160	RE60000ZZ0000000	205	261	117,5
180	RE60001ZZ0000000	229	285	129,5
200	RE60002ZZ0000000	256	312	143
225	RE60003ZZ0000000	288	344	159
250	RE60004ZZ0000000	322	378	176
280	RE60005ZZ0000000	361	417	195,5
315	RE60006ZZ0000000	404	460	217
355	RE60007ZZ0000000	453	509	241,5

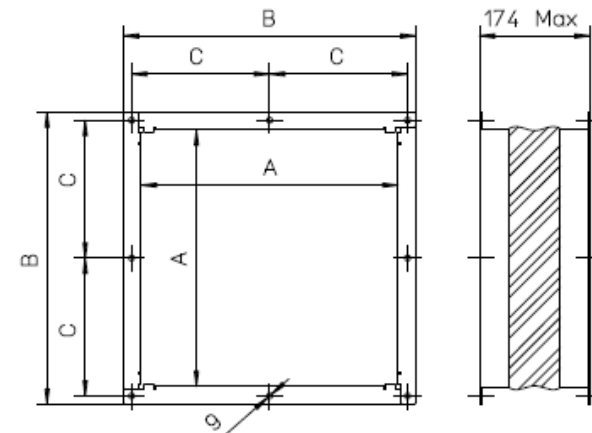
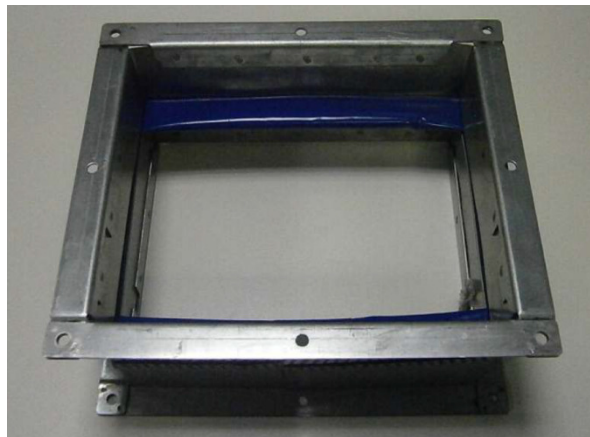
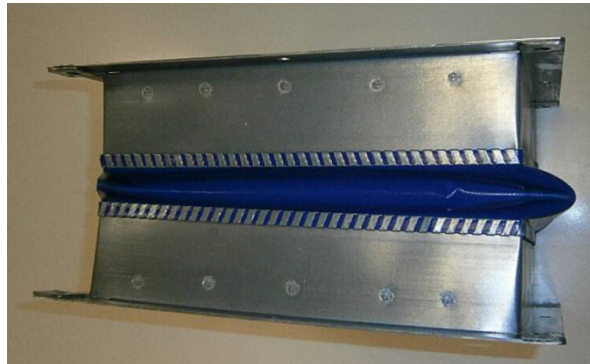


Size	Code	A	B	C	E
400	RE60008ZZ0000000	507	563	168,5	200
450	RE60009ZZ0000000	569	625	199,5	200
500	RE6000AZZ00000000	638	694	209	250
560	RE6000BZZ00000000	715	771	247,5	250
630	RE6000CZZ00000000	801	857	265,5	300

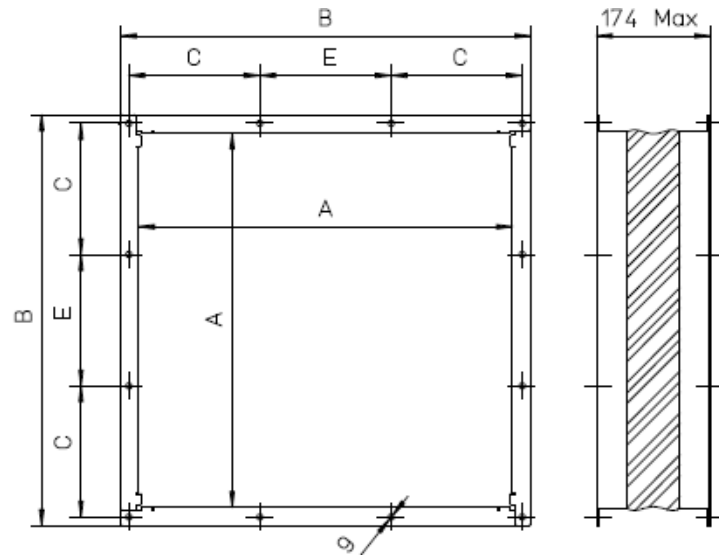


Size	Code	A	B	C	E
710	RE6000DZZ00000000	898	954	264	200
800	RE6000EZZ00000000	1007	1063	268,5	250
900	RE6000FZZ00000000	1130	1186	280	300
1000	RE6000GZZ00000000	1267	1323	298,5	350

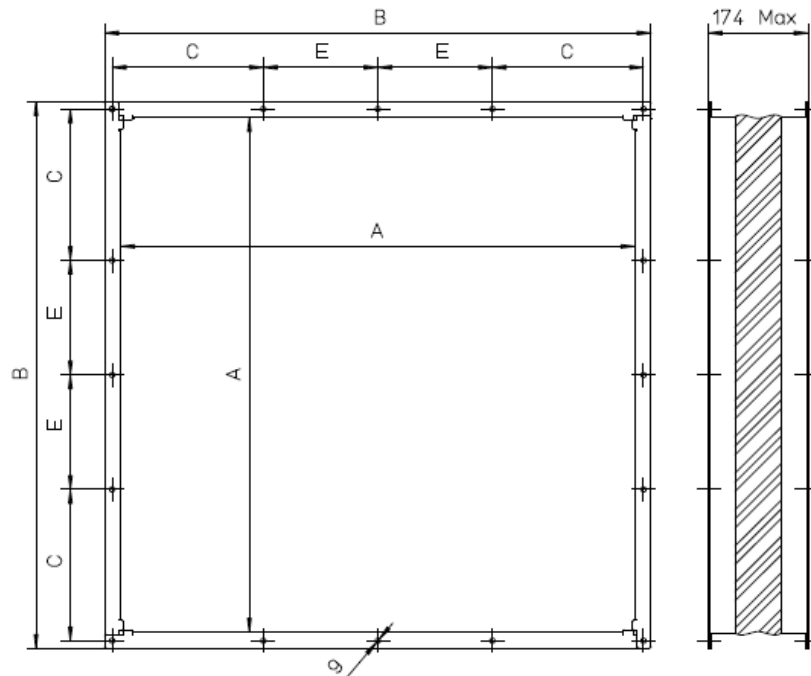
<b>Accessory</b>	<b>Outlet flexible connection</b>
<b>To be used for:</b>	ADH-E, RDH-E, RDA-E
<b>Material:</b>	Flange in galvanized steel to EN 10346 standard. Plyester / Neoprene fabric with galvanized metal strips 5/10.
<b>Special executions:</b>	Glass-fibre fabric impregnated with silicone rubber with galvanized metal strips or SS AISI 304 sp. 5/10, (MED certif.).
<b>Installation:</b>	Couple and bolt the flexible connection to the fan flange using M8 screws.



Size	Code	A	B	C
160	RG0400T	205	261	117,5
180	RG0401T	229	285	129,5
200	RG0402T	256	312	143
225	RG0403T	288	344	159
250	RG0404T	322	378	176
280	RG0405T	361	417	195,5
315	RG0406T	404	460	217
355	RG0407T	453	509	241,5

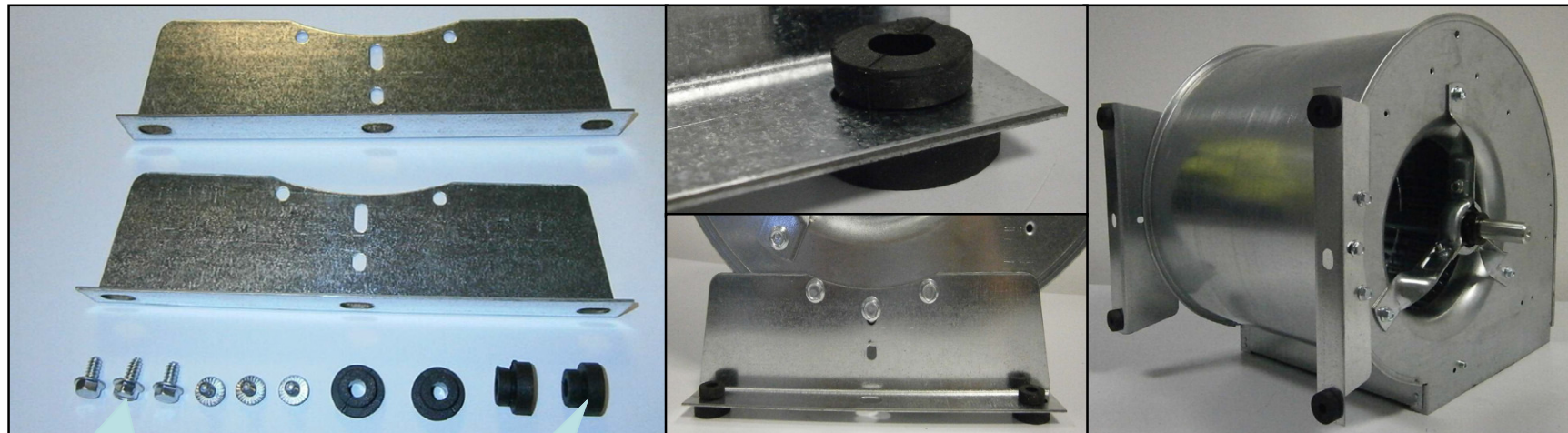


Size	Code	A	B	C	E
400	RG0408T	507	563	168,5	200
450	RG0409T	569	625	199,5	200
500	RG0410T	638	694	209	250
560	RG0411T	715	771	247,5	250
630	RG0412T	801	857	265,5	300



Size	Code	A	B	C	E
710	RG0413T	898	954	264	200
800	RG0414T	1007	1063	268,5	250
900	RG0415T	1130	1186	280	300
1000	RG0416T	1267	1323	298,5	350

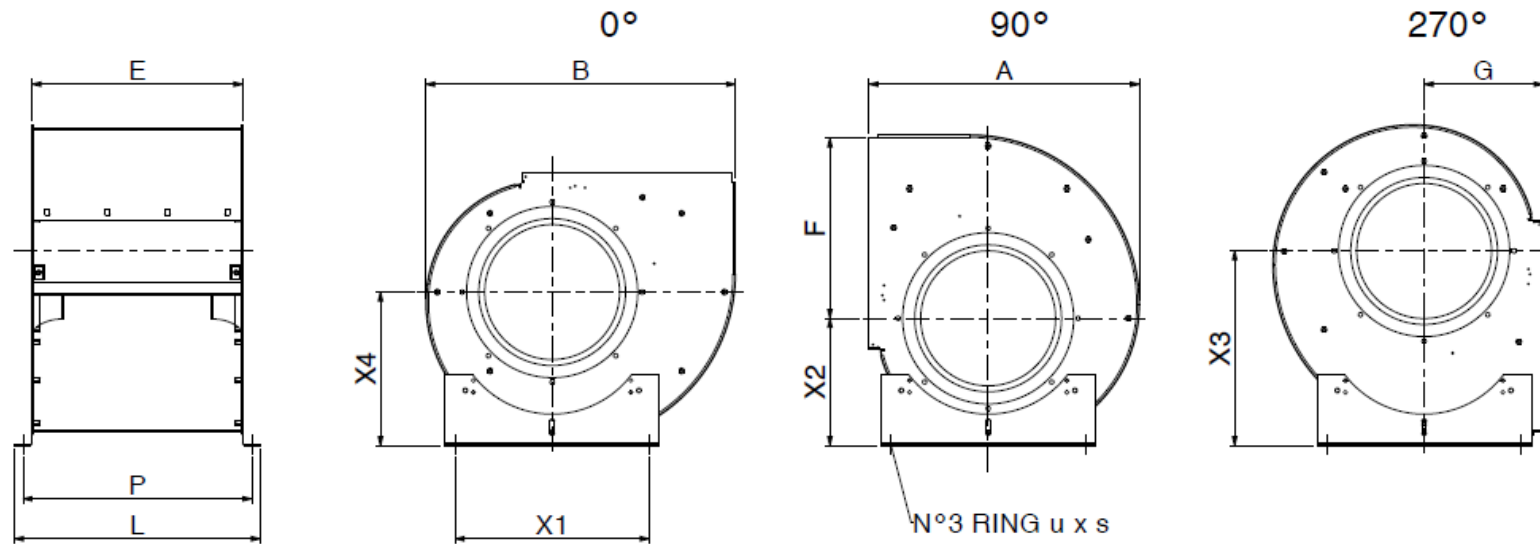
Accessory	Mounting feet kit
<b>To be used for:</b>	ADH-E, RDH-E, RDA-E. Sizes 160, 180, 200, 225, 250, 280, 315, 355, 400, 450, 500, 560, 630, 710.
<b>Material:</b>	Galvanized steel to EN 10346 standard.
<b>Special executions:</b>	Upon request, they can be supplied with coating according to Nicotra-Gebhardt SPACQ028 specification. The color is stone grey RAL 7030 with minimum thickness 60µm (P1) or 120µm (P2).
<b>Installation:</b>	Fix to the sides inserting the rubber vibration insulators into the holes of the mounting feet. The mounting kit contains screws and vibrations insulators. The mounting feet can be fixed so as to allow the fan to be installed with the scroll orientated to 0°, 90° e 270°.



N°6 screws of size depending on the size of feet

N°4 Vibration insulators

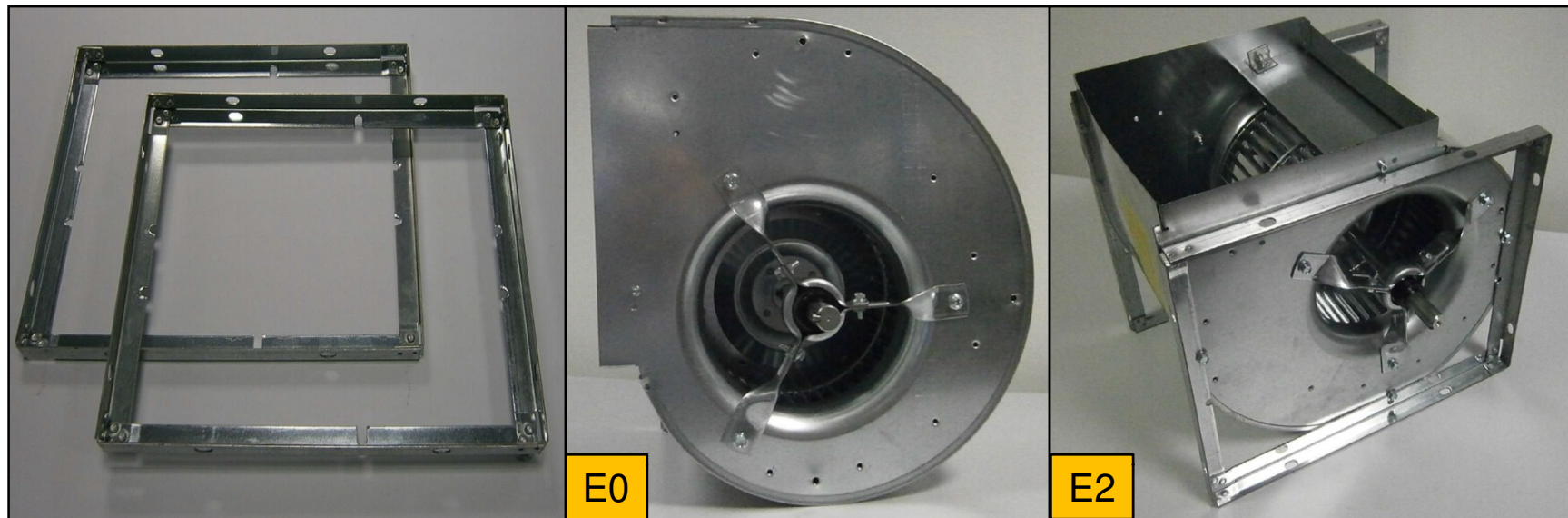




Size	Code	A	B	F	G	E	P	L	X1	X2	X3	X4	u x s
160	RE80000ZZ0000000	290	309	173	141	207	237	267	180	153	207	153	11x16
180		319	344	195	154	231	261	291	180	167	227	167	11x16
200	RE80002ZZ0000000	348	379	215	163	258	288	318	224	186	250	189	11x16
225		389	422	241	182	290	320	350	224	202	279	209	11x16
250	RE80005ZZ0000000	423	467	268	195	324	354	384	224	215	304	232	11x16
280		471	524	302	215	363	393	423	280	242	337	261	11x16
315	RE80007ZZ0000000	522	586	338	236	406	436	466	280	267	376	289	11x16
355		583	658	383	261	455	495	535	355	281	418	327	11x16
400	RE80008ZZ0000000	654	745	432	290	509	549	589	355	309	469	366	11x16
450	RE80009ZZ0000000	731	837	487	322	571	621	667	530	344	526	415	13x18
500		805	928	541	352	640	690	736	530	383	576	456	13x18
560		897	1037	606	390	717	767	813	530	425	643	511	13x18
630		993	1144	680	434	801	851	897	530	477	716	580	13x18
710*	RE8000DZZ0000000	1115	1289	766	485	898	948	998	630	531	797	636	13x18

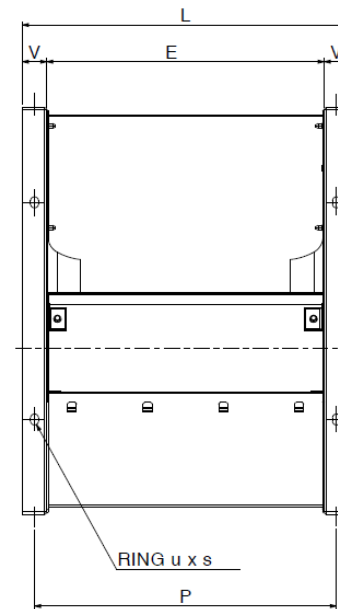
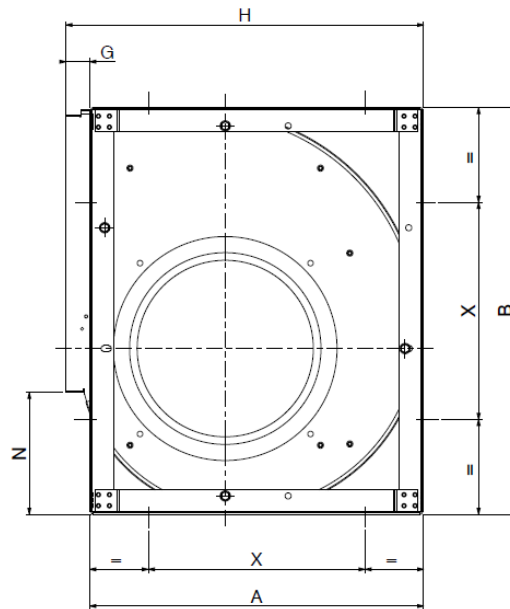
\* FOR ADH ONLY.

<b>Accessory</b>	<b>Side frame kit E2 / R</b>
<b>To be used for:</b>	ADH-E, RDH-E, RDA-E, RDP. Sizes 160, 180, 200, 225, 250, 280, 315, 355, 400, 450, 500, 560, 630, 710.
<b>Material:</b>	Galvanized steel to EN 10346 standard, 2 mm thickness.
<b>Special executions:</b>	Upon request, they can be supplied with coating according to Nicotra-Gebhardt SPACQ028 Spec. The color is stone grey RAL 7030 with min. thickness 60µm (P1) or 120µm (P2).
<b>Installation:</b>	Applicable for fans type E0 (version without frame). They are fixed using self-threading screws Ø6,3 up to size 250, screws Ø8 up to size 355. Fixing by M8 screws for size 400 and M10 screws from sizes 450 to 710.



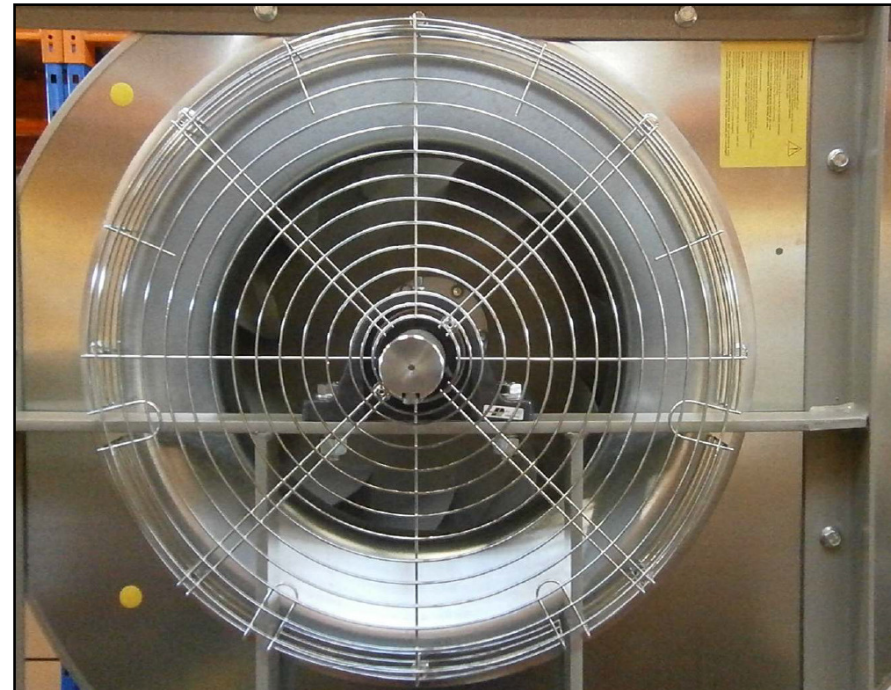
**! WARNING !**  
For fans from size 160 to 560 manufactured at Nicotra branches in India, Malaysia and China, please use side frames type ASH/RSH.



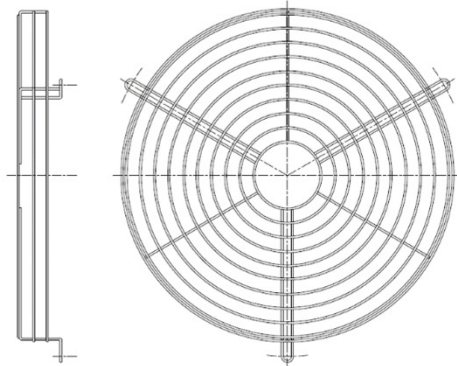


Size	Code	A	B	E	G	H	L	N	P	V	X	u x s
160	RE8100ZZ0000000	263	311	207	28	291	247	97	231	20	180	9x14
180	RE81001ZZ0000000	290	346	231	30	320	271	110	255	20	180	9x14
200	RE81002ZZ0000000	312	379	258	36	348	308	114	288	25	224	11x16
225	RE81003ZZ0000000	351	425	290	39	390	340	128	320	25	224	11x16
250	RE81004ZZ0000000	386	470	324	39	425	374	139	354	25	224	11x16
280	RE81005ZZ0000000	435	526	363	37	472	423	156	393	30	280	13x18
315	RE81006ZZ0000000	486	588	406	38	524	466	175	436	30	280	13x18
355	RE81007ZZ0000000	547	665	455	39	586	535	202	495	40	355	13x18
400	RE81008ZZ0000000	614	750	509	43	657	589	232	549	40	355	13x18
450	RE81009ZZ0000000	687	841	571	46	733	651	259	621	40	530	13x18
500	RE8100AZZ00000000	756	931	640	51	807	720	281	690	40	530	13x18
560	RE8100BZZ00000000	851	1046	717	50	901	817	317	767	50	530	13x18
630	RH8100CZZ00000000	940	1157	801	56	996	901	350	851	50	530	13x18
710	RH8100DZZ00000000	1050	1303	898	67	1117	998	399	948	50	630	17x22

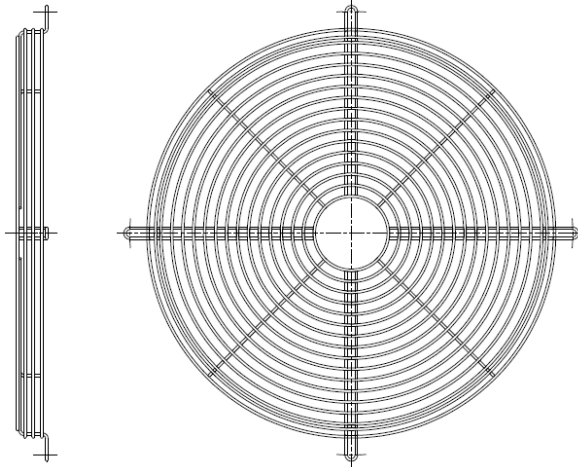
Accessory	Inlet protection guard kit
To be used for:	ADH-E, RDH-E, RDA-E.
Material:	235 JR steel to UNI EN 10025 standard Surface condition : Fe/Zn 8 to UNI EN ISO 2081 standard
Special executions:	Upon request they can be supplied with coating according to Nicotra-Gebhardt specification SPACQ028. The color is stone grey RAL 7030 with min. thickness 60µm (P1) or 120µm (P2).
Installation:	Screw the protection guards on the side using the holes made around the inlet cone.



Sizes 160 ÷ 315



Sizes 355 ÷ 1000

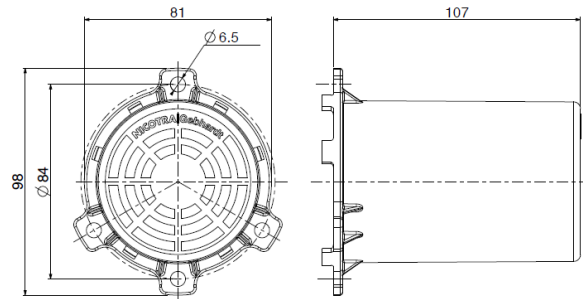


**! WARNING !**  
 The inlet protection guards codes R450.. are under revision. They might need a spacer between the guard and the inlet cone in order to avoid interference with spiders and bearings. . For sizes 630, 900, 1000, K, K1 e K2, the new guards codes RE72...are being released. Please contact Nicotra-Gebhardt to verify their availability or if there are any alternative codes.

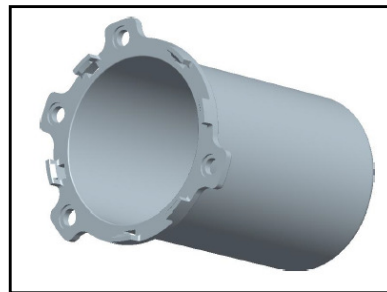
Size	E0/L - E2/R	E4/K	E6/K1	E7/K2
160	R45055T			
180	R45042T			
200	R45043T	RE72012ZZ0000000		
225	R45044T	RE72013ZZ0000000		
250	R45045T	RE72014ZZ0000000		
280	R45046T	RE72015ZZ0000000		
315	R45047T	RE72016ZZ0000000	RE72016ZZ0000000	
355	R45048T	RE72017ZZ0000000	RE72017ZZ0000000	
400	R45049T	RE72018ZZ0000000	RE72018ZZ0000000	
450	R45050T	RE72019ZZ0000000	RE72019ZZ0000000	
500	R45051T	RE7201AZZ0000000	RE7201AZZ0000000	RE7202AZZ0000000
560	R45052T	RE7201BZZ0000000	RE7201BZZ0000000	RE7202BZZ0000000
630 *	R45053T	RE7201CZZ0000000	RE7201CZZ0000000	RE7202CZZ0000000
710	R45054T	RE7203DZZ0000000	RE7204DZZ0000000	RE7202DZZ0000000
800		RE7203EZZ0000000	RE7204EZZ0000000	RE7202EZZ0000000
900 *		RE7201FZZ0000000	RE7201FZZ0000000	RE7202FZZ0000000
1000 *		RE7201GZZ0000000	RE7201GZZ0000000	RE7202GZZ0000000

<b>Accessory</b>	<b>Shaft end guards</b>
<b>To be used for:</b>	ADH-E, RDH-E, RDA-E.
<b>Material:</b>	PA6 plastic +30%FV 235 JR steel to UNI EN 10025 standard. Surface condition: Fe/Zn 8 to UNI EN ISO 2081 spec.
<b>Installation:</b>	Fixed to the protection guard.

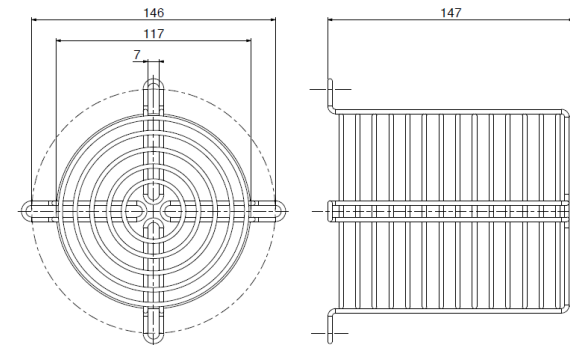
Code	Description
689189	SHAFT PROT. KIT AD/RD 160-630



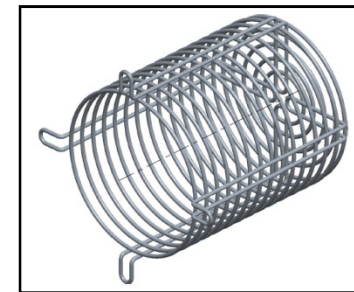
Made of plastic PA6+30%FV, can be used for fan sizes from 160 to 630 with inlet guard code RE72... fitted with M4 threads to which the shaft end guard can be attached. The shaft end guard can be hooked to the guard by means of a snap taper lock bush located at the base of the shaft end guard.



Code	Description
689190	SHAFT PROT. KIT AD/RD 710-1000



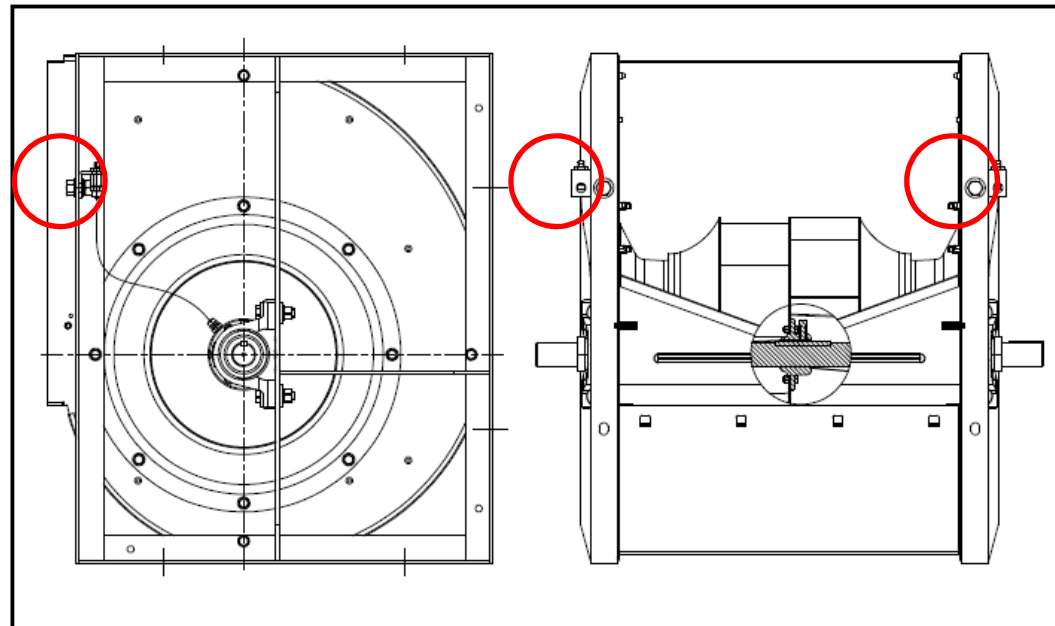
Made of galvanized steel wire, can be used for sizes from 710 to 1000. It is attached to the guards code RE72... fitted with M5 threads whereas, for guards codes R450..., it is bolted using screws and nuts..





<b>Accessory</b>	<b>Bearing lubrication kit</b>
<b>To be used for:</b>	ADH-E, RDH-E, RDA-E.
<b>Installation:</b>	Assembly instructions are included in the kit

Code	Description
W89033	BEARING LUBR. KIT DH-E 200-500
W89034	BEARING LUBR. KIT DH-E 560-1000
W89046	SS BEARING LUBR. KIT 560-1000 HE
W89051	SS BEARING LUBR. KIT 200-500 DHE





## Accessory

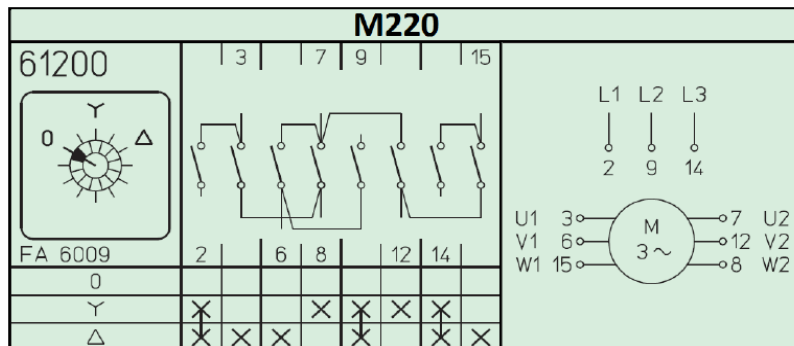
## Miscellaneous

To be used for:

RDP

Code	Description
K43131	COMMUTAT Y/Δ M220-61200-176M1

Code	Description	Dimension
K43138	Potentiometer 99200036	82 x 82 x 38



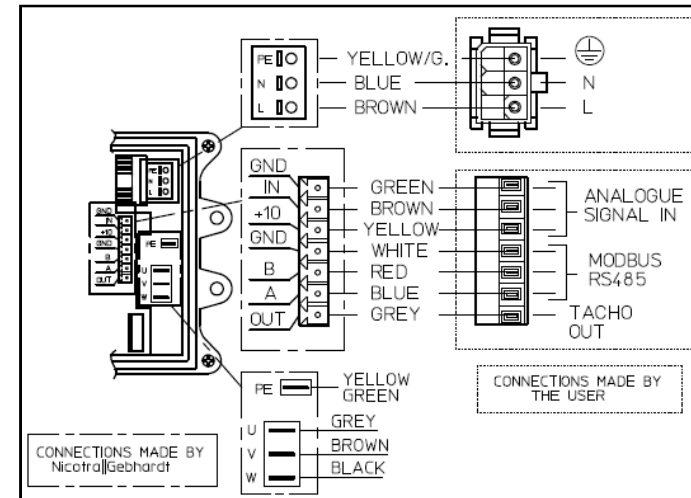
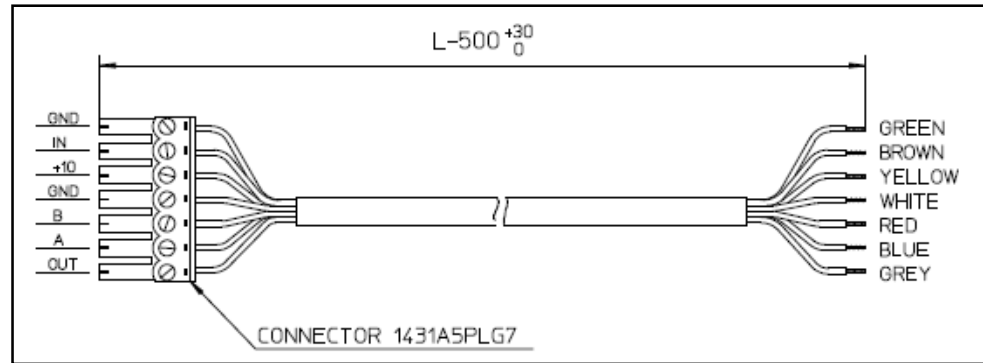
Soft Start Y/Δ



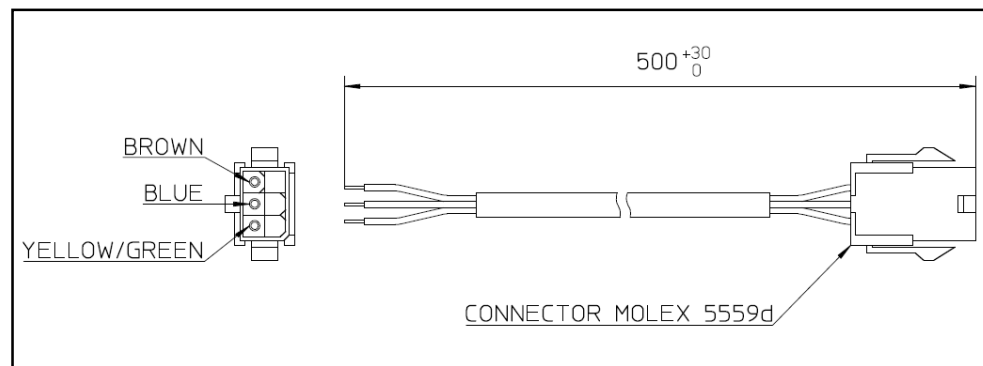
It can supply variable voltage (10 Vdc max). It is also possible to regulate minimum voltage: it can be used to control voltage controlled electronic devices.

Output impedance: 5kΩ max.

S27C98 | SIGNAL CABLE W/ DDMP CONN L-500



S27C99 | CABLE GROUP + CONNECTOR L-500



- Cables can only be used with driver code 1431A5.
- On request they can be supplied for the driver code 1431A8 and for the three-phase versions.

TABLE OF CONTENTS	Page
• Outlet flanges	2 – 3
• Outlet flexible connections	4 – 5
• Mounting feet kit	6 – 7
• Side frame Kit E2 / R	8 – 9
• Inlet protection guard kit	10 – 11
• Shaft end guards	12
• Bearing lubrication kit	13
• Miscellaneous	14 – 15
• Table of contents	16