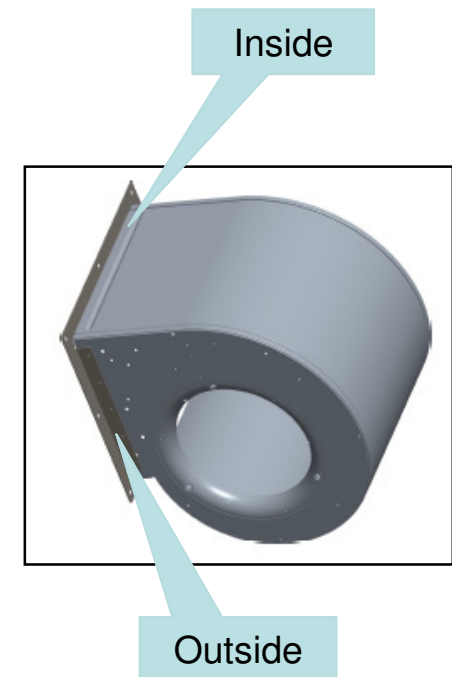
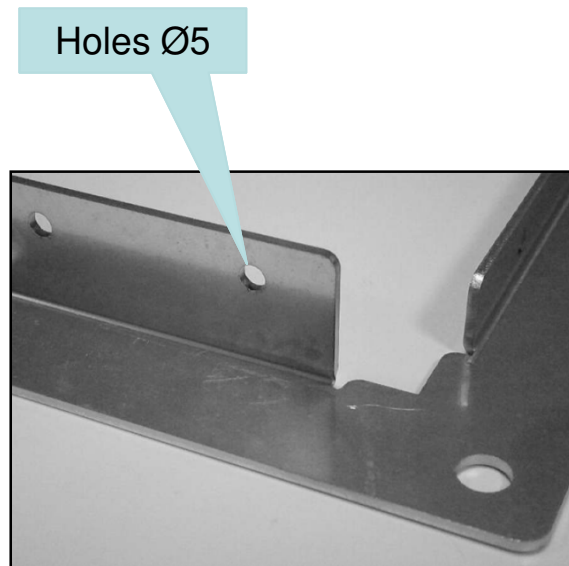
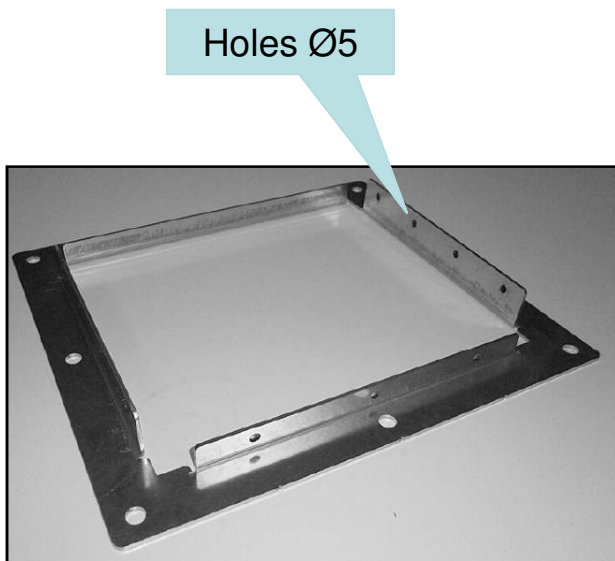


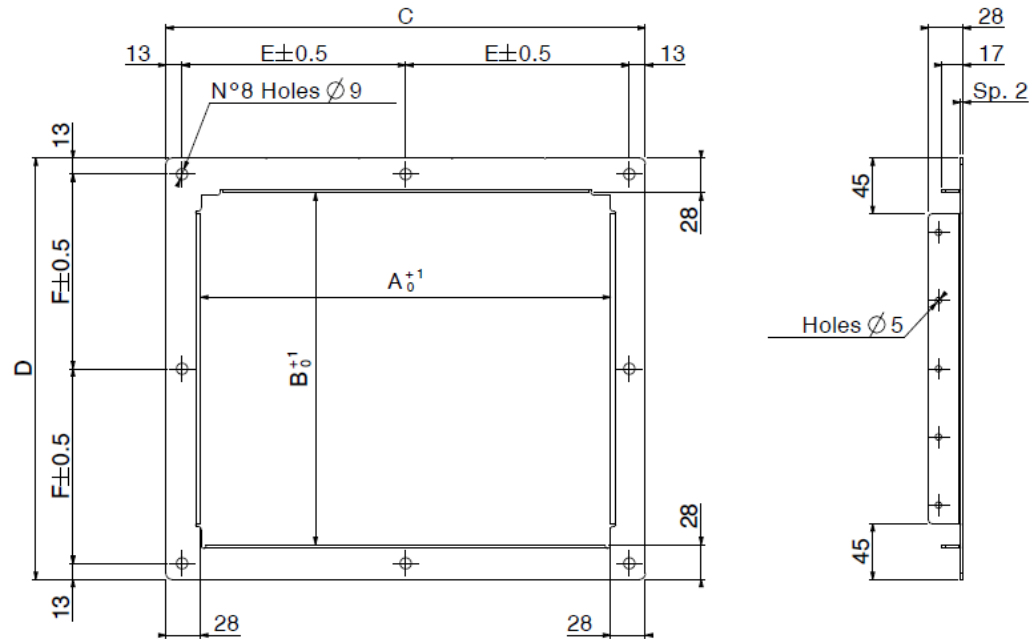
## Accessories for double inlet centrifugal fans

**Series AT, DD, DDM, DDMP.**



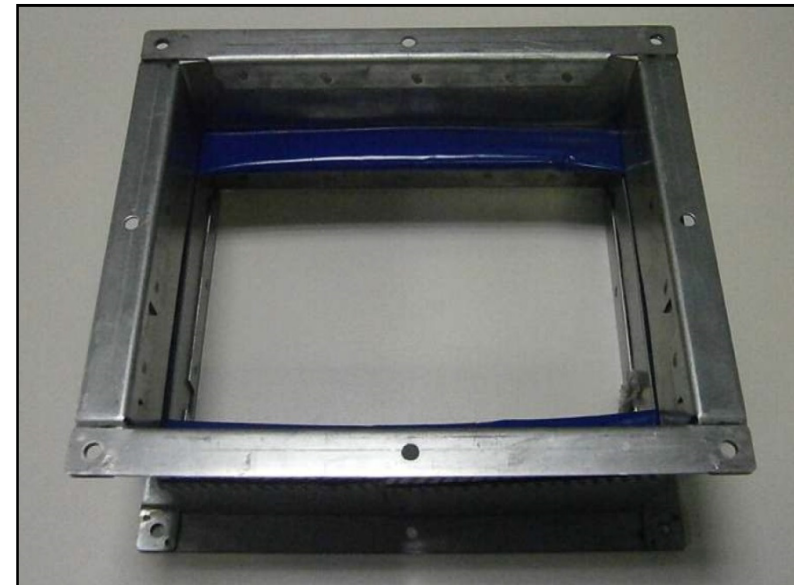
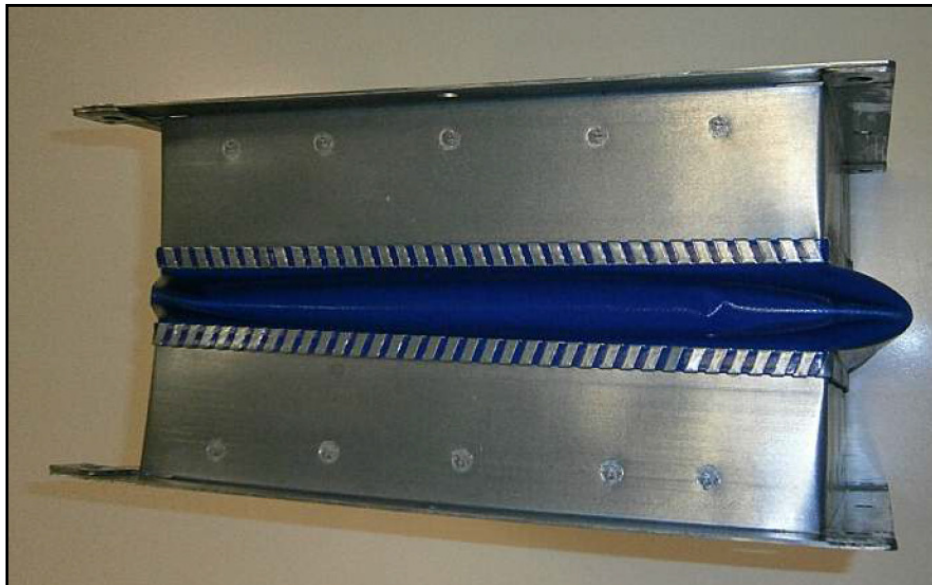
Accessory	Outlet Flange
To be used for:	Double inlet fans series AT, DD, DDM, DDMP.
Material:	Galvanised steel to EN 10346 standard.
Special execution:	Upon request, special coating can be supplied as per Nicotra-Gebhardt SPACQ032 specification. The colour is Grey RAL 7030, shiny smooth, minimum thickness 60µm (P1) or 120µm (P2).
Installation:	Outlet flanges are fitted with Ø5 holes on three sides which must be coupled on the scroll.. The flange must be assembled with the two edges external to the side plate, whereas the edge which is in contact with the back plate must be within the scroll The flanges can be fixed to the scroll using bolts M5 or SS Ø4,8 SS rivets.

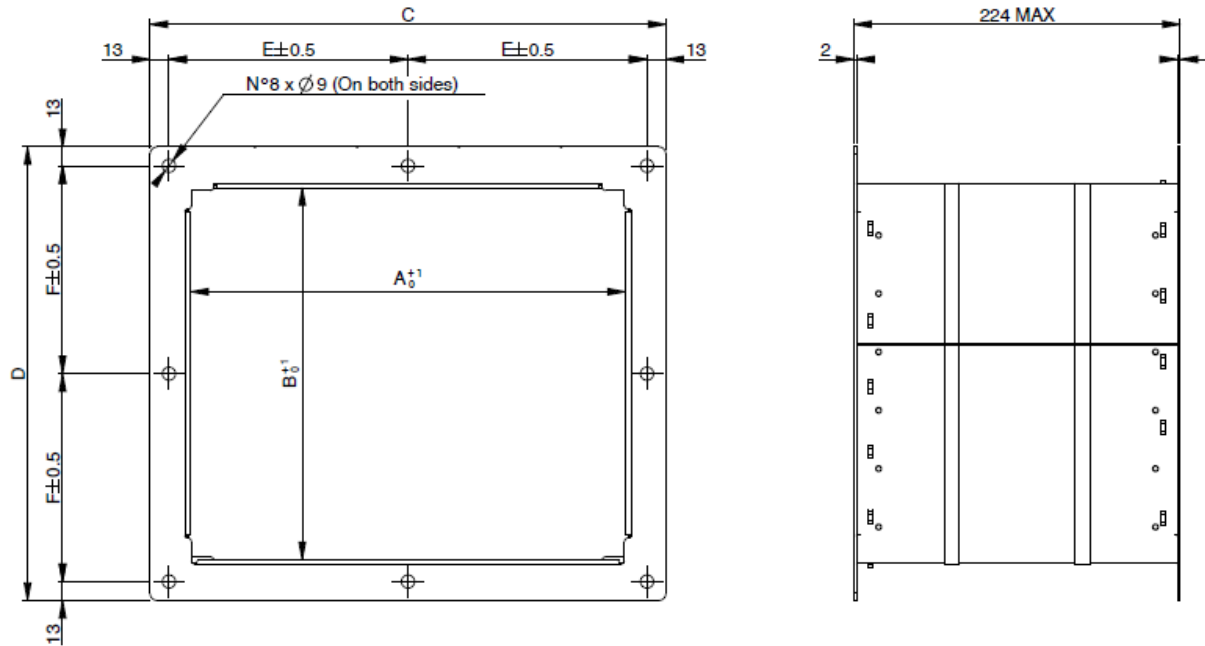




Taglia	Codice	A	B	C	D	E	F
7/7	RA60033ZZ0000000	232	201	288	257	131	115,5
7/9	RA60053ZZ0000000	298	201	354	257	164	257
9/7-8/7 Tig *	RA60035ZZ0000000	232	255	288	311	131	142,5
9/9-8/9 Tig **	RA60055ZZ0000000	298	255	354	311	164	142,5
10/8	RA60046ZZ0000000	265	284	321	340	147,5	157
10/10	RA60066ZZ0000000	331	284	387	340	180,5	157
12/9	RA60058ZZ0000000	309	334	365	390	169,5	182
12/12	RA60088ZZ0000000	395	334	451	390	212,5	182
15/11	RA6007BZZ0000000	373	397	429	453	201,5	213,5
15/15	RA600BBZZ0000000	471	397	527	453	250,5	213,5
18/13	RA6009CZZ0000000	430	471	486	527	230	250,5
18/18	RA600CCZZ0000000	557	471	613	527	293,5	250,5
* ALSO FOR USE WITH OLD SCROLLS 9/7 TIGHT							
** ALSO FOR USE WITH OLD SCROLLS 9/9 TIGHT							

Accessory	Outlet flexible connection
To be used for:	AT, DD, DDM, DDMP.
Material:	Flange in galvanised steel to EN 10346 standard. Plyester / Neoprene fabric with galvanized metal strips 5/10.
Special Execution :	Flexbile connections with dimensions upon request. Flexible connections MED certified : SS AISI 304 flanges and glass-fiber fabric with silicone rubber with galvanized metal strips or SS AISI 304 sp. 5/10.
Installation:	Couple and bolt the flexible connection to the fan flange using M8 screws.





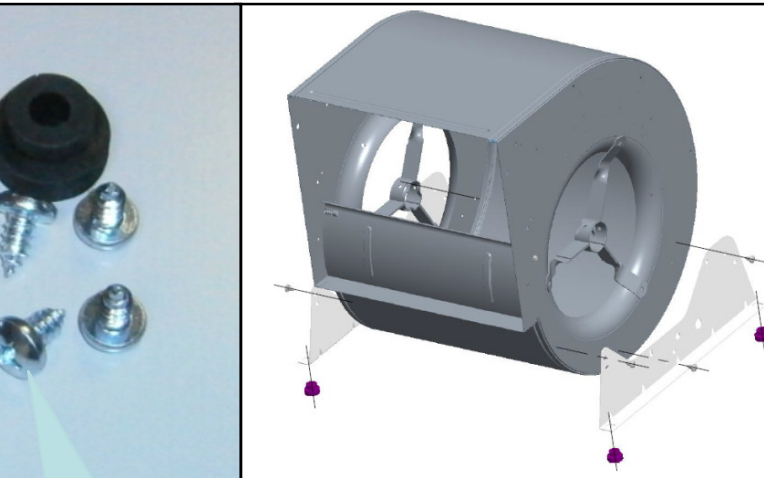
Size	Code	A	B	C	D	E	F
7/7	R609A0	232	201	288	257	131	115,5
7/9	upon request	298	201	354	257	164	257
9/7- 8/7 Tig	R609A1	232	255	288	311	131	142,5
9/9- 8/9 Tig	R609A2	298	255	354	311	164	142,5
10/8	R609A3	265	284	321	340	147,5	157
10/10	R609A4	331	284	387	340	180,5	157
12/9	R609A5	309	334	365	390	169,5	182
12/12	R609A6	395	334	451	390	212,5	182
15/11	R609A7	373	397	429	453	201,5	213,5
15/15	R609A8	471	397	527	453	250,5	213,5
18/13	R609A9	430	471	486	527	230	250,5
18/18	R609C0	557	471	613	527	293,5	250,5



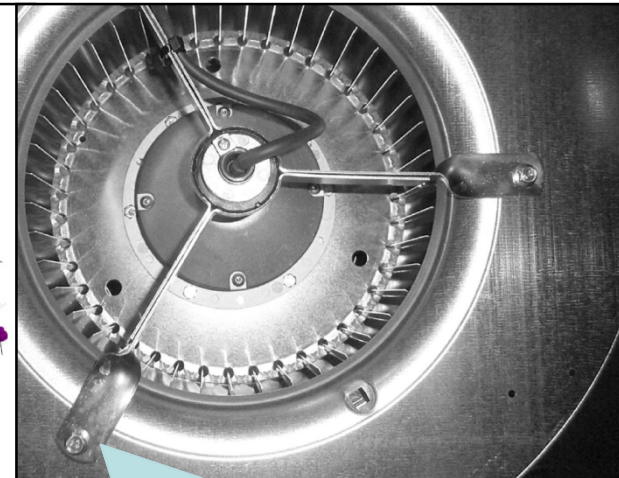
Accessory	Mounting feet kit
To be used for:	AT-S, AT-G2L, DD, DDM, DDMP.
Material:	Galvanised steel to EN 10346 standard.
Special executions:	Upon request, they can be supplied with coating according to Nicotra-Gebhardt SPACQ032 specification. The colour is Grey RAL 7030 shiny smooth with min.thickness 60µm (P1) or 120µm (P2).
Installation	Fix to the sides using self threading screws 6,3x12,5 (UNI EN ISO 7049:2012), insert the vibration insulators into the holes of the mounting feet. The mounting kit contains screws and vibration insulators. The feet can be fixed so as to allow the fan to be installed with the scroll orientated to 0°, 90°, 180° e 270°. The below mentioned codes are suitable for fans with spiders, bearing supports or motor brackets fixed on the curve part of the inlet cone: for spiders fixed on the flat part of the side plate, see pic, please contact the technical dept of Nicotra– Gebhardt.



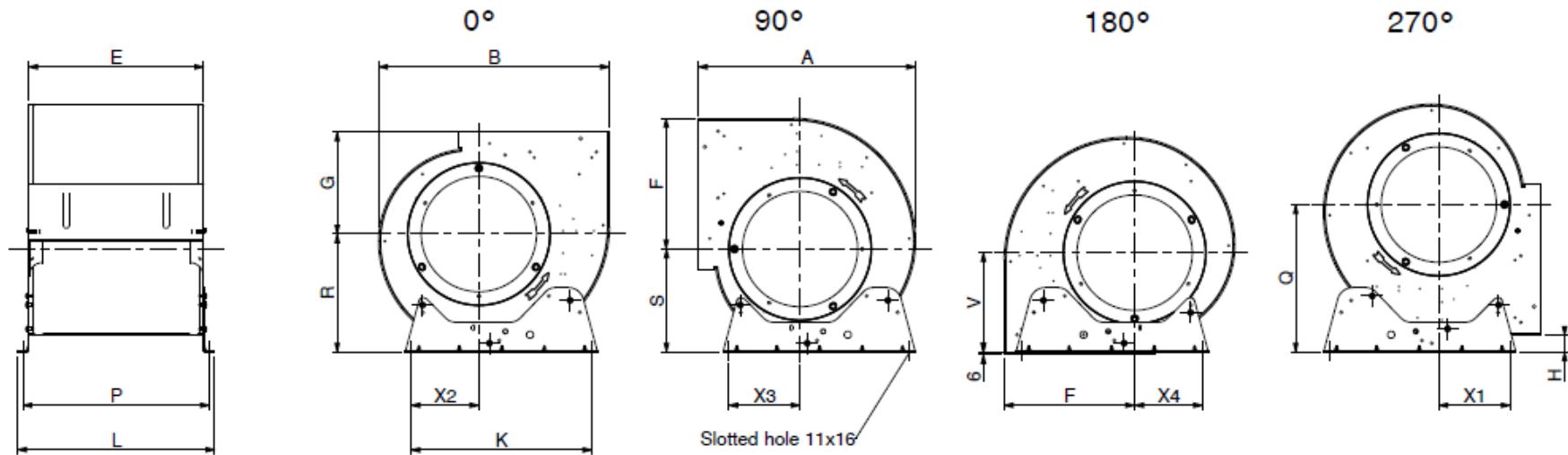
N°4 Vibration insulators



N°6 Screws 6,3x12,5

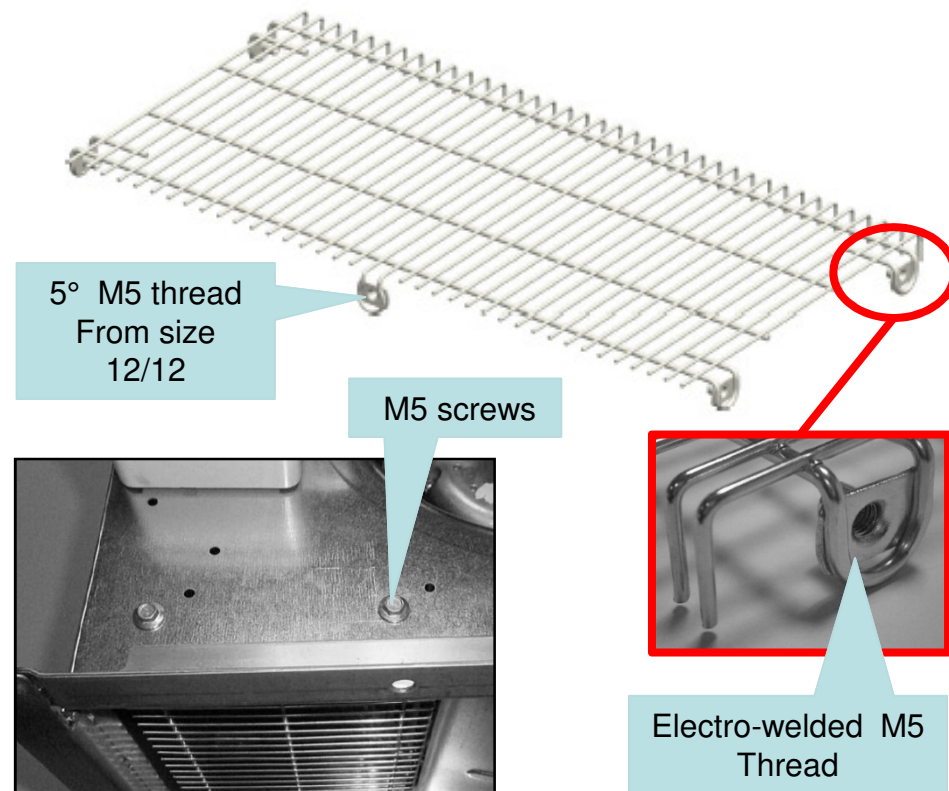


Spiders fixed on the flat part of the side plate require special mounting feet.

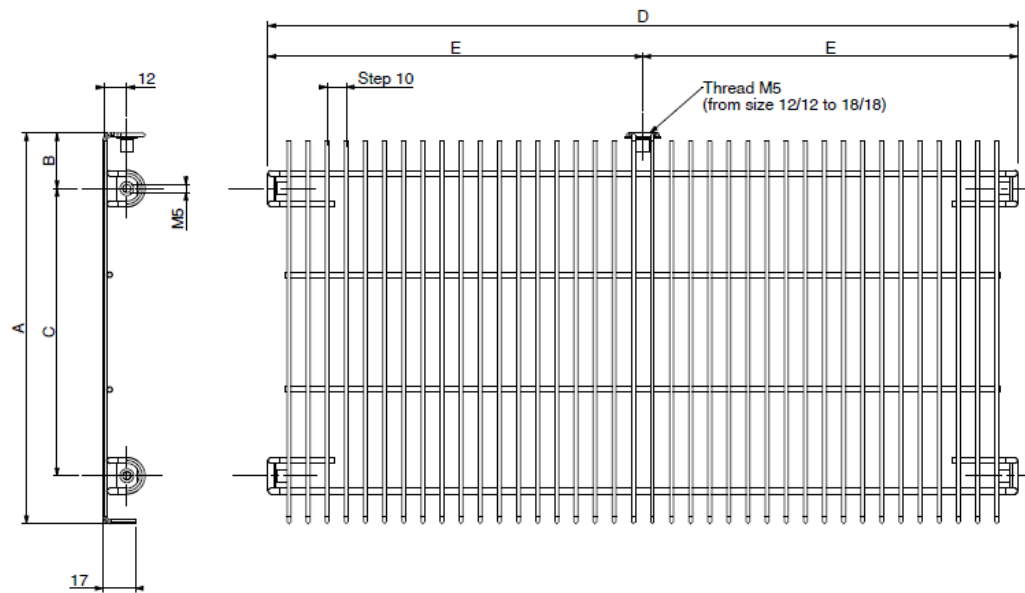


Size	Code	A	B	E	F	G	H	K	L	P	Q	R	S	V	X1	X2	X3	X4
7/7	RA80003ZZ0000000	316	325	232	187	153	17	225	282	258	203	169	145	147	117	86	88	47
7/9	RA80003ZZ0000000	316	325	298	187	153	17	225	348	324	203	169	145	147	117	86	88	47
8/7 Tig	RA80003ZZ0000000	318	326	232	185	155	15	225	282	258	201	169	147	-	120	85,5	95	-
8/9 Tig	RA80003ZZ0000000	318	326	298	185	155	15	225	348	324	201	169	147	-	120	85,5	95	-
9/7	RA80005ZZ0000000	379	387	232	216	185	38	300	282	258	253	199	177	179	119	124	123	120
9/9	RA80005ZZ0000000	379	387	298	216	185	38	300	348	324	253	199	177	179	119	124	123	120
10/8	RA80006ZZ0000000	425	443	265	250	203	38	340	315	291	287	227	198	197	136	132	135	132
10/10	RA80006ZZ0000000	425	443	331	250	203	38	340	381	357	287	227	198	197	136	132	135	132
12/9	RA80008ZZ0000000	491	521	309	295	230	38	408	359	335	332	266	232	224	161	153	161	153
12/12	RA80008ZZ0000000	491	521	395	295	230	38	408	445	421	332	266	232	224	161	153	161	153
15/11	RA8000BZZ0000000	569	609	373	343	264	38	495	423	399	380	309	272	258	197	211	201	200
15/15	RA8000BZZ0000000	569	609	471	343	264	38	495	521	497	380	309	272	258	197	211	201	200
18/13	RA8000CZZ0000000	684	739	430	416	314	42	608	480	456	457	376	340	307	262	283	278	288
18/18	RA8000CZZ0000000	684	739	557	416	314	42	608	607	583	457	376	340	307	262	283	278	288

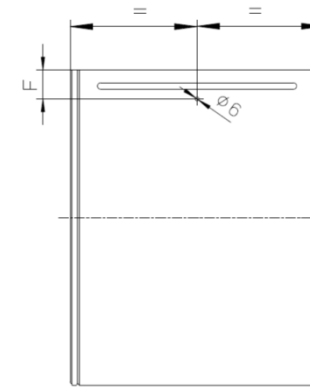
<b>Accessory</b>	<b>Outlet protection guards</b>
<b>To be used for:</b>	AT, DD, DDM, DDMP.
<b>Material:</b>	Stainless Steel 235 JR to UNI EN 10025 standard Surface condition: Fe/Zn 8 to UNI EN ISO 2081 standard
<b>Installation:</b>	Fix the guards with four M5 screws using the two Ø6 holes on each side, located at about 40/45 mm from the external rim. For sizes between 12/12 and 18/18, the guard can be fixed to the back inserting a fifth M5 thread on a Ø6 hole on the back as per table page 9.





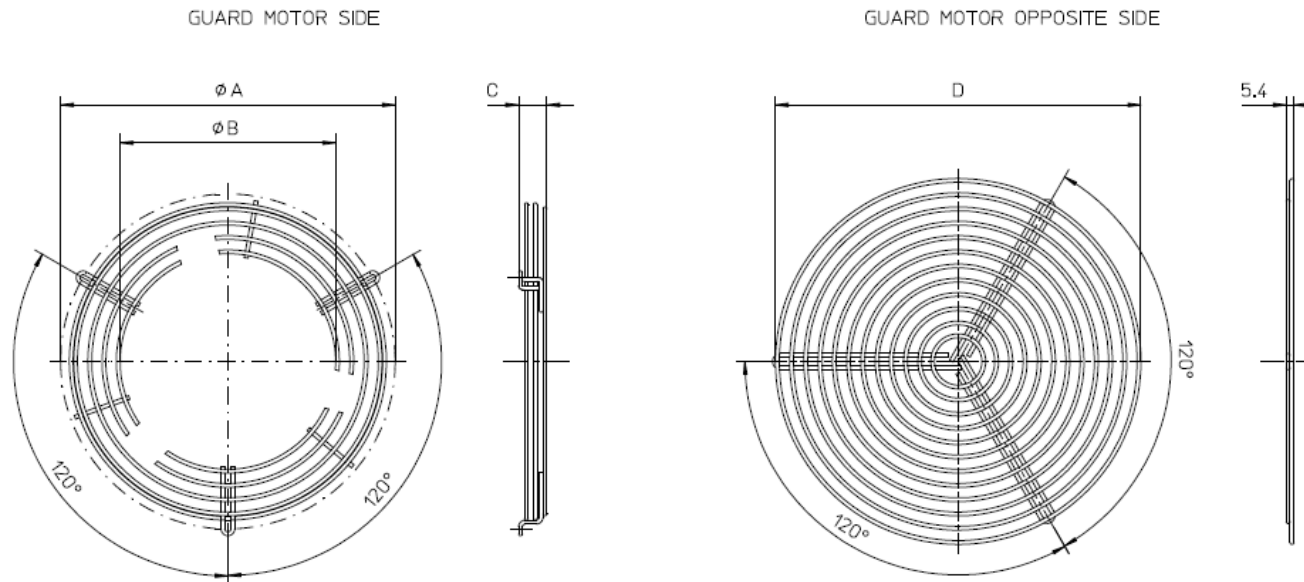


Hole position on the scroll to fix the 5° thread



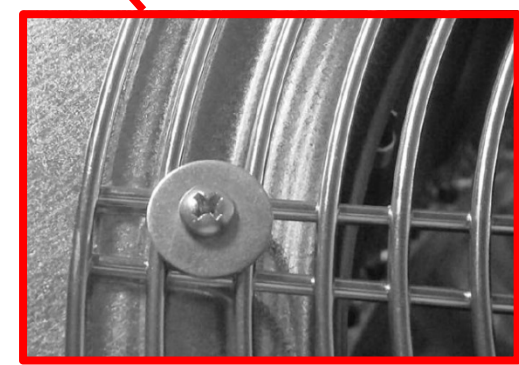
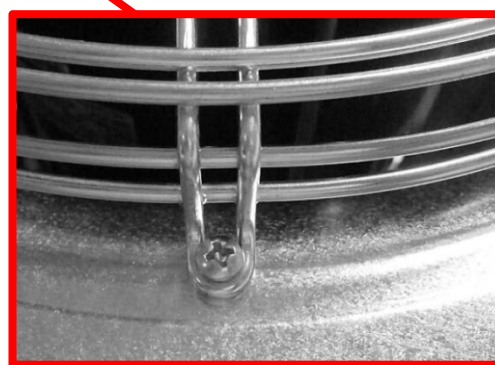
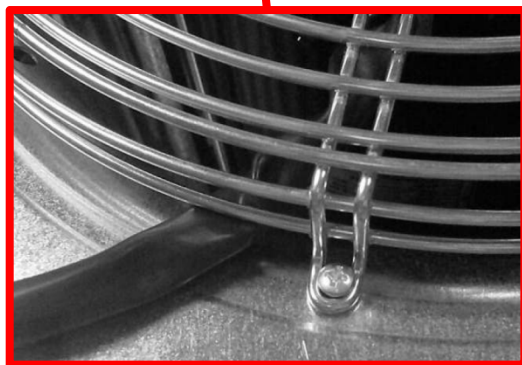
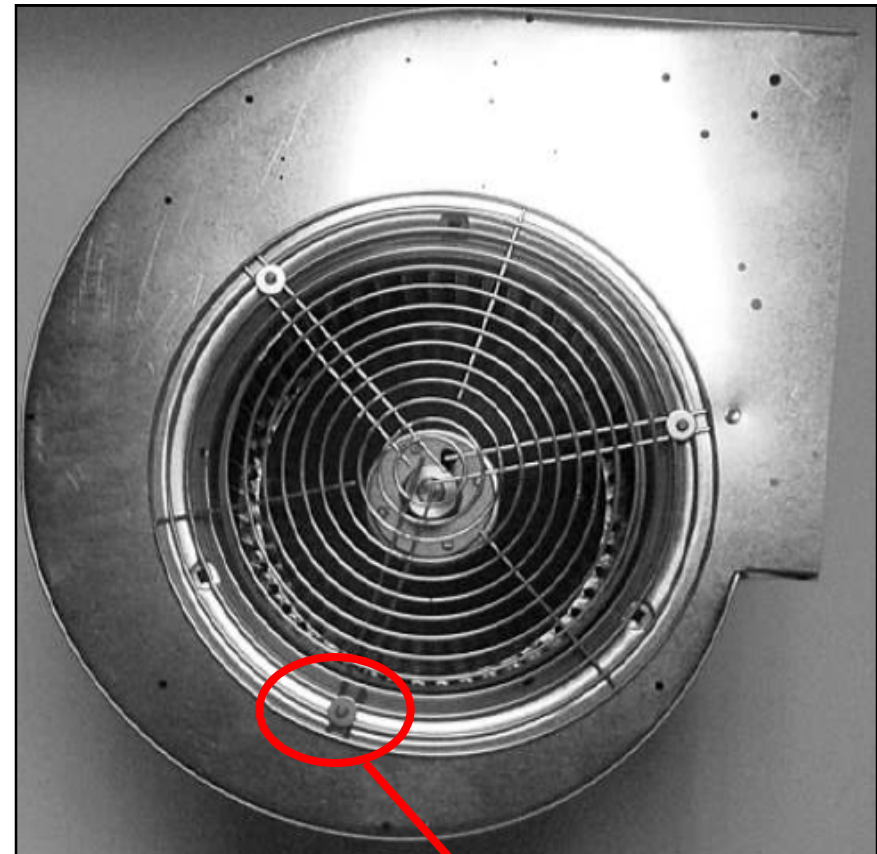
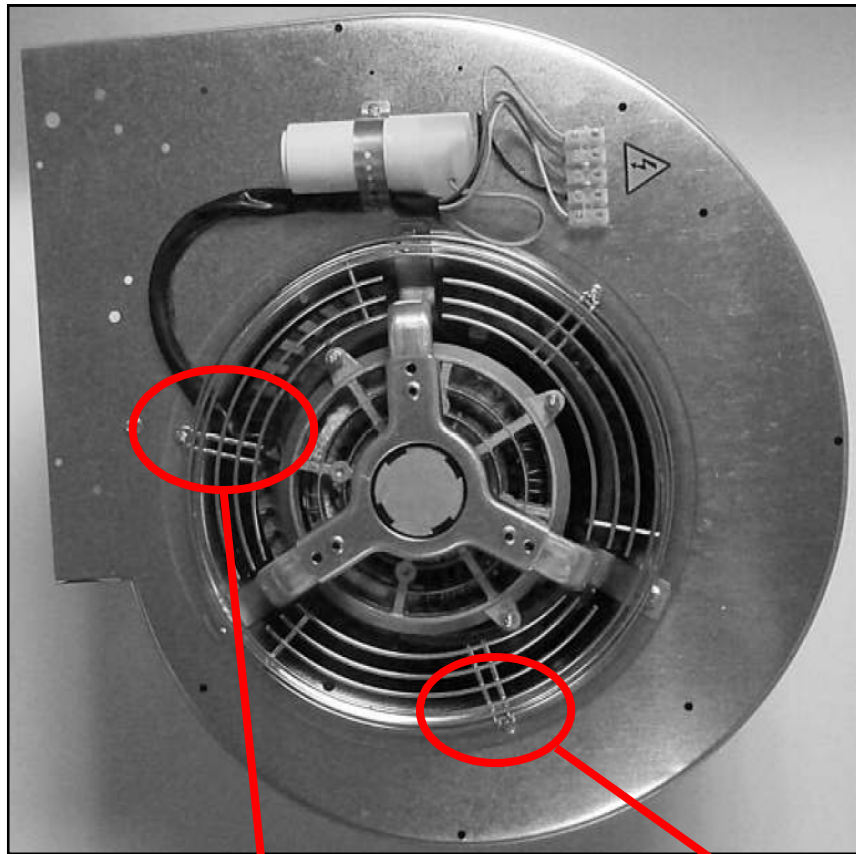
Size	Code	A	B	C	D	E	F
7/7	R722N6	125	25	75	230	-	-
9/7	R722N7	150	25	100	230	-	-
9/9	R722N8	150	25	100	296	-	-
10/8	R722N9	168	25	118	263	-	-
10/10	R722P0	168	25	118	329	-	-
12/9	R722P1	200	25	150	307	-	-
12/12	R722P2	204	29	150	393	196,5	45
15/11	R722P3	241	31	185	371	185,5	45
15/15	R722P4	241	31	185	469	234,5	45
18/13	R722P5	296	31	240	427	213,5	40
18/18	R722P6	296	31	240	554	277	40

<b>Accessory</b>	<b>Inlet protection guard kit</b>
<b>To be used for:</b>	DD. sizes 9/7, 9/9, 10/8, 10/10, 12/9, 12/12.
<b>Material:</b>	Steel 235 JR to UNI EN 10025 standard Surface condition: Fe/Zn 8 according to UNI EN ISO 2081
<b>Installation:</b>	Fix the protection guard using self-threading screws 3,5x 12,7 on the 3 Ø2,5 holes of the inlet cone.

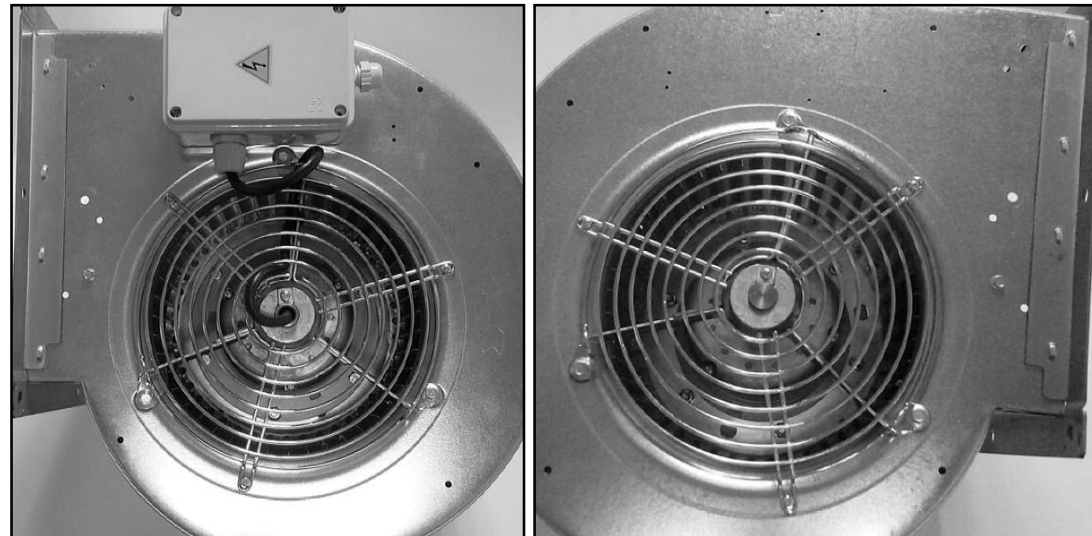
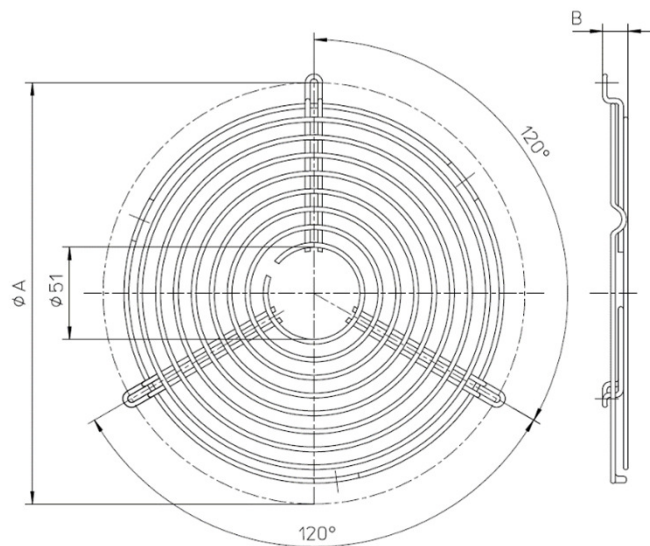


DD					
Size	Code	ØA	B	C	D
9/7 - 9/9	689186	235	161	14	254
10/8 - 10/10	689187	264	161	26	294
12/9 - 12/12	689188	328	171	19	334

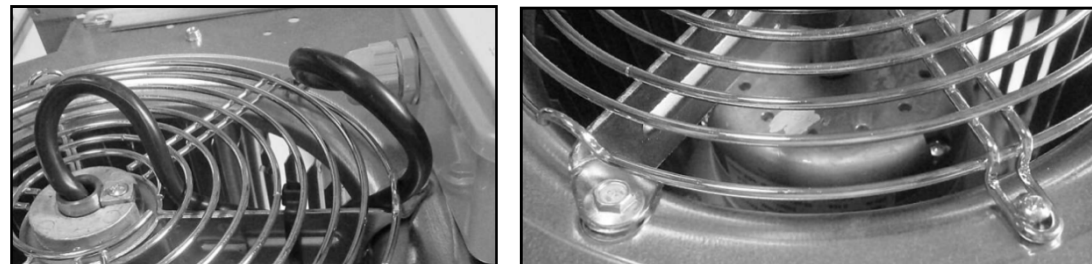
**! WARNING !**  
Verify the motor diameter



<b>Accessory</b>	<b>Inlet protection guard Kit</b>
<b>To be used for:</b>	AT-S, AT-SC, DDM, DDMP. sizes 7/7, 9/7, 9/9, 10/8, 10/10.
<b>Material:</b>	Steel 235 JR to UNI EN 10025 Surface condition : Fe/Zn 8 according to UNI EN ISO 2081
<b>Installation:</b>	Fix the protection guards using self-threading screws 3,5x 9,5 on the 3 Ø2,5 holes of the inlet cone.

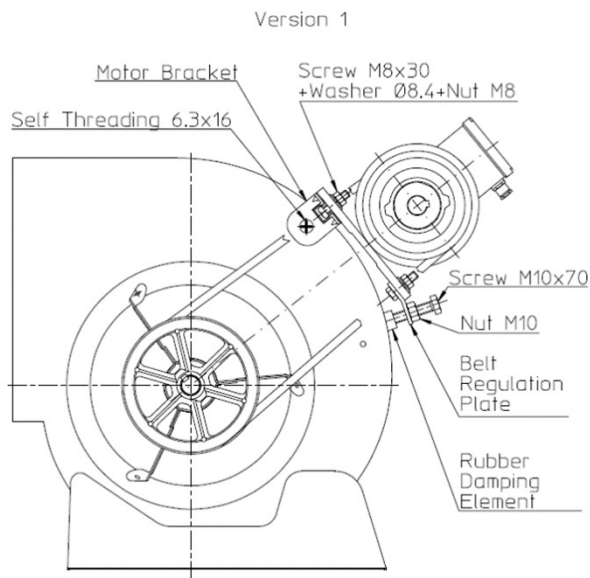


AT-S, AT-SC, DDM, DDMP, DDME, DDMP			
Size	Code	ØA	B
7/7	689110	194	24
8/7T-8/9T-9/7-9/9	689111	235	14
10/8 - 10/10	689112	264	14

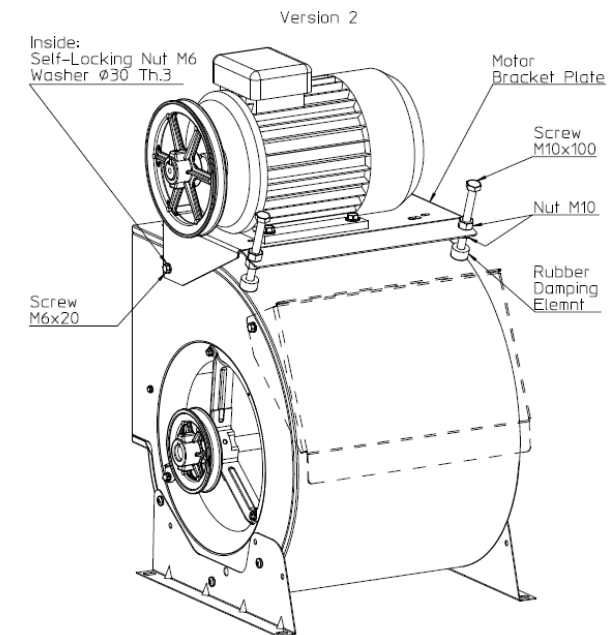




<b>Accessory</b>	<b>Motor brackets Kit</b>
<b>To be used for:</b>	AT-S
<b>Material:</b>	Galvanised steel to EN 10346 standard..
<b>Installation:</b>	Version 1: fix the motor bracket to the scroll with self-threading screws 6,3x16 on the holes used to fix the mounting feet. Version 2:: fix the motor base plate to the scroll with screws M6x20, washers Ø30, self-blocking nuts M6 widen the holes used to fix the mounting feet.. The motor brackets allow the fan to be fixed with the scroll oriented to 0°, 90°, 180° e 270°.

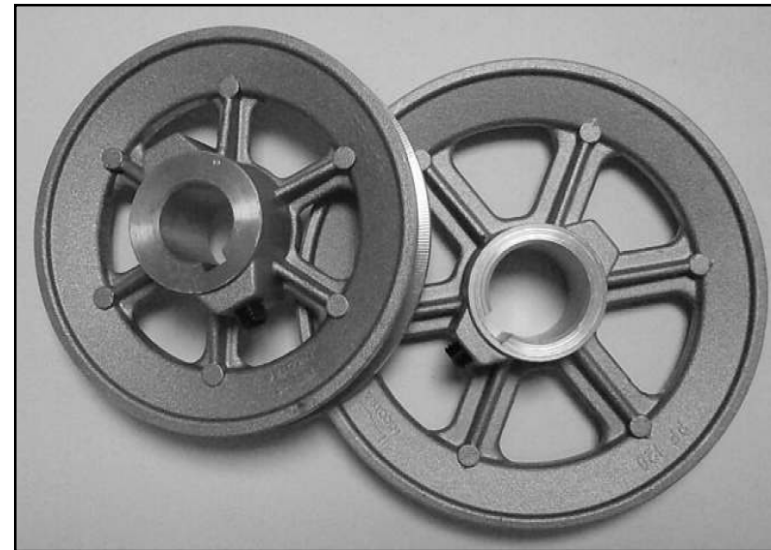
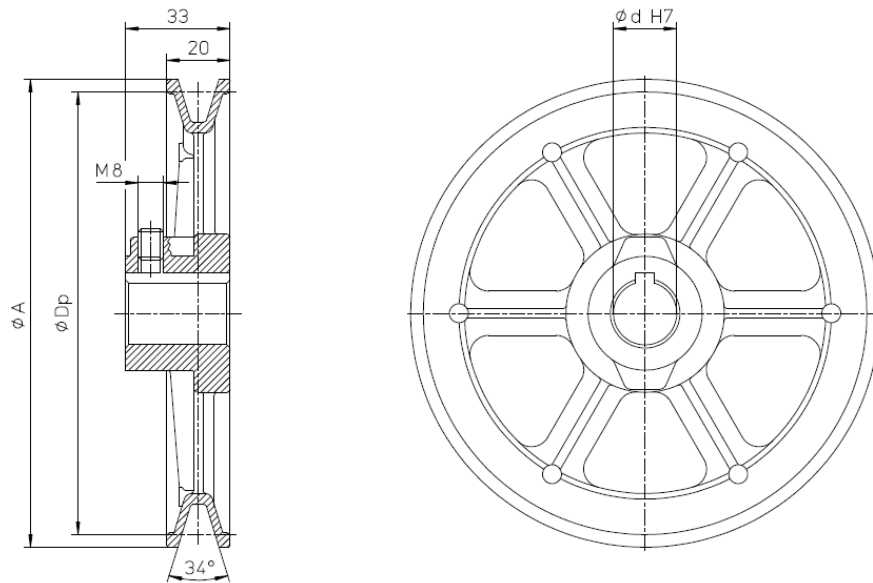


Version 1		Size	Version 2	
Code Kit	Max kW		Code Kit	Max kW
687303	0,75	7/7	N.D.	
687303	0,75	9/7	687940	1,1
687308	0,75	9/9	687941	1,1
687312	0,75	10/8	687942	1,5
687314	0,75	10/10	687943	1,5
687318	0,75	12/9	687944	2,2
687320	0,75	12/12	687945	2,2
687335	0,75	15/11	687946	3
687338	0,75	15/15	687947	3
687346	0,75	18/13	687948	3
687348	0,75	18/18	687949	3



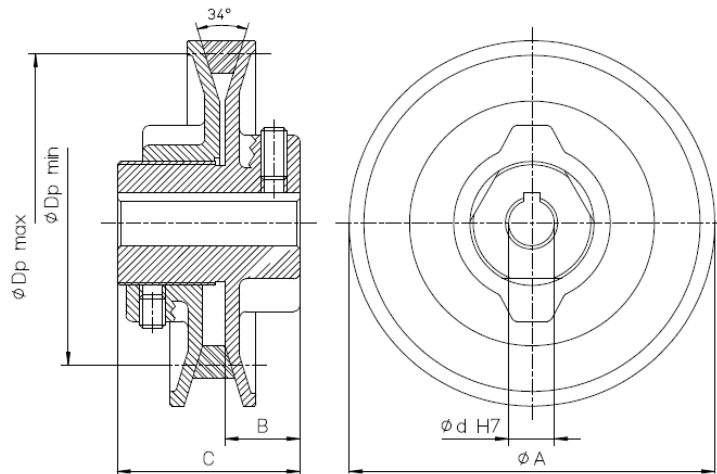
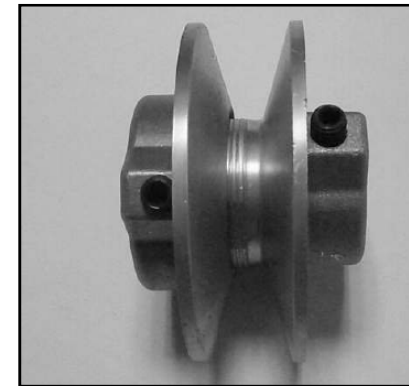
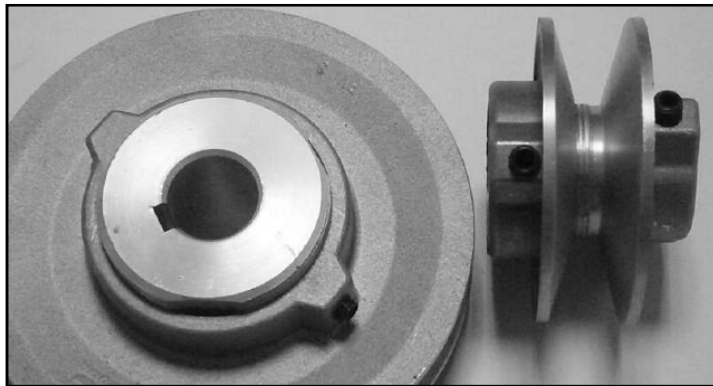


<b>Accessory</b>	<b>Fixed pulleys</b>
<b>To be used for:</b>	AT
<b>Material:</b>	Aluminium alloy to UNI EN 1706:2010
<b>Installation:</b>	Fixed on the taperlock bush with M8x10. grub screws



Code	Description	ØA	ØDp	Ød H7
686160	PF 100 Ø20 SPA-A	108	100	20
686170	PF 120 Ø20 SPA-A	128	120	20
686171	PF 120 Ø25 SPA-A	128	120	25
686180	PF 140 Ø20 SPA-A	148	140	20
686181	PF 140 Ø25 SPA-A	148	140	25
686190	PF 170 Ø20 SPA-A	178	170	20
686191	PF 170 Ø25 SPA-A	178	170	25

<b>Accessory</b>	<b>Variable Pulleys</b>
<b>To be used for:</b>	AT
<b>Material:</b>	Aluminium alloy to UNI EN 1706:2010
<b>Installation :</b>	Fixed on the taperlock bush with M8x10 grub screw. These allow a variation of the initial diameter up to 35%



Tipo	Code	Description	Ød H7	ØDp		ØA	B	C
				Min	Max			
PV1	686060	PV1 Ø11 SPA-A	11	55	74	82	23	53
	686061	PV1 Ø12,7 SPA-A	12,7					
	686062	PV1 Ø14 SPA-A	14					
	686063	PV1 Ø15 SPA-A	15					
	686064	PV1 Ø16 SPA-A	16					
	686065	PV1 Ø19 SPA-A	19					
PV2	686070	PV2 Ø11 SPA-A	11	87	104	112	23	56
	686071	PV2 Ø14 SPA-A	14					
	686072	PV2 Ø16 SPA-A	16					
	686073	PV2 Ø19 SPA-A	19					
	686075	PV2 Ø24 SPA-A	24					
PV3	686080	PV3 Ø19 SPA-A	19	111	130	138	23	55
	686081	PV3 Ø24 SPA-A	24					
	686082	PV3 Ø28 SPA-A	28					

## Accessory

## Air flow meter device

To be used for:

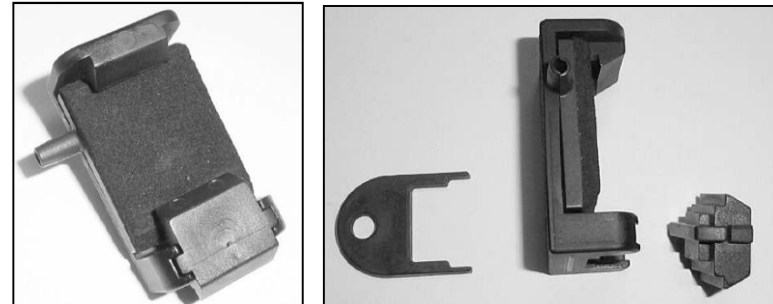
AT, DDM, DDMP

code	Description
K43198	AIR FLOW METER DEVICE



Air flow meter device:  
 Power supply: 10...30 Vdc  
 Protection class IP 54  
 Work temperature 0-50 °C  
 Pressure range : 0...5000 Pa, in 50 Pa steps

code	Description
W89041	Pressure probe kit AT DDMP



Pressure probe.  
 To be connected to the bearing support spiders.

Code	Description
K409A2	PLASTIC TUBE DIA 6x1 - PU SH A98



<b>Accessory</b>	<b>Single-phase manual regulator</b>
<b>To be used for.</b>	DD, DDM.
<b>Note:</b>	Manual regulators regulate the effective value of the voltage applied on the load by means of a TRIAC: suitable for speed regulation single-phase motors. Protection class IP 54; max current from 1,5 A (mod. L43157) to 20 A (mod. K43139).

Code	Description	Max	Dimensions
K43139	ELECTR. REG RVM 20 I 99250047	20 A	175 x 175 x 105
K43142	ELECTR. REG. RVM 3E 99250090	3 A	82 x 82 x 38
K43143	ELECTR. REG. RVM 5I 99250091	5 A	125 x 125 x 90
K43144	ELECTR. REG. RVM 9I 99250092	9 A	125 x 125 x 90
K43157	ELECTR. REG. RVM 1,5E 99250089	1,5 A	82 x 82 x 38

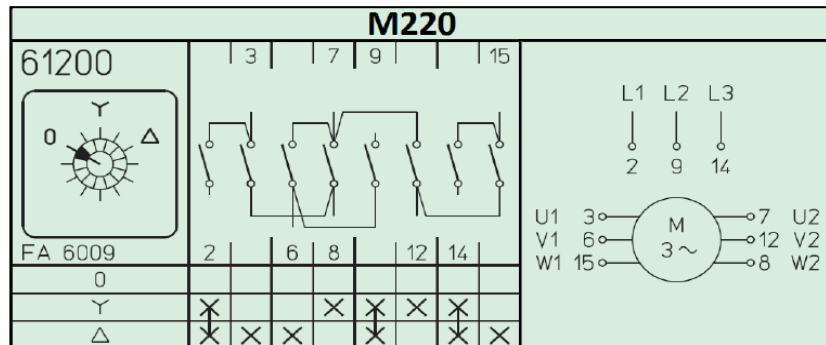




## Accessory

## Miscellaneous

Code	Description
K43131	SOFT STARTER Y/Δ 61200



Soft start Y/Δ

Code	Description	Dimensions
K43138	Potentiometer 0-10Vdc DDMP	82 x 82 x 38



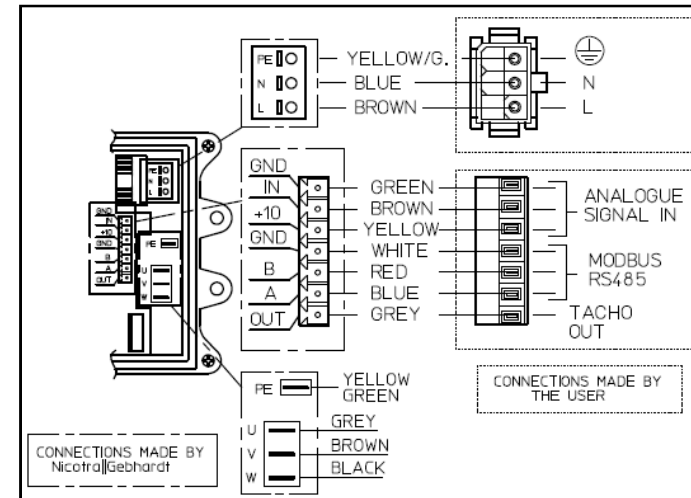
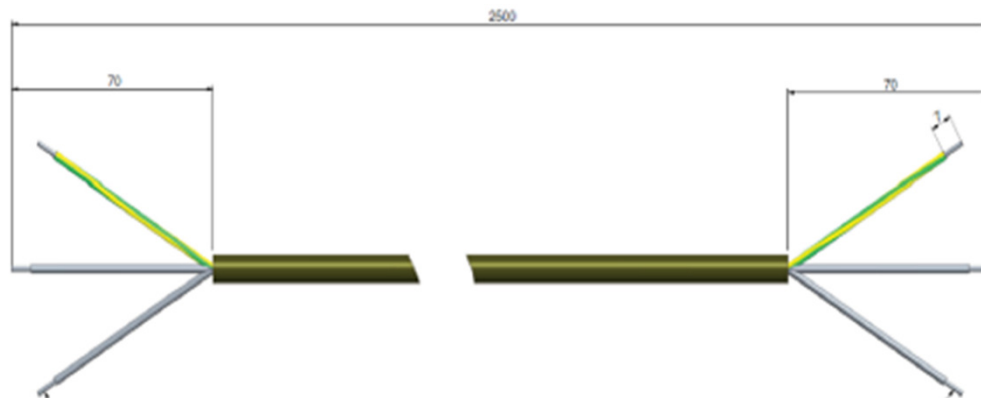
### Potentiometer

Used to supply variable voltage (10 Vdc max). It is also possible to regulate minimum voltage: it can be used to control voltage controlled electronic devices.

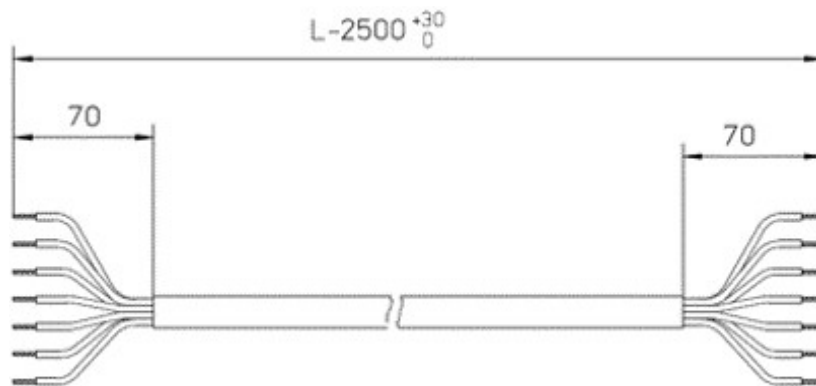
Output impedance: 5kΩ max.



Codice	Descrizione
K401E2	POWER CABLE 3 POLES L-2500

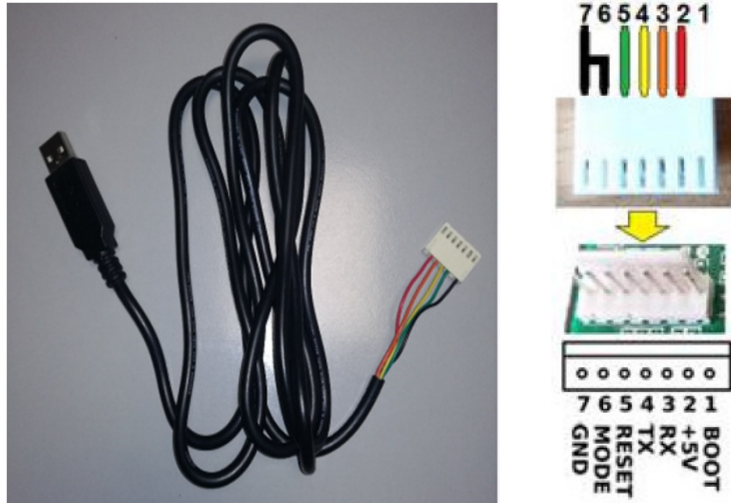


Codice	Descrizione
K401E3	SIGNAL CABLE EXTENSION DDMP L-2500

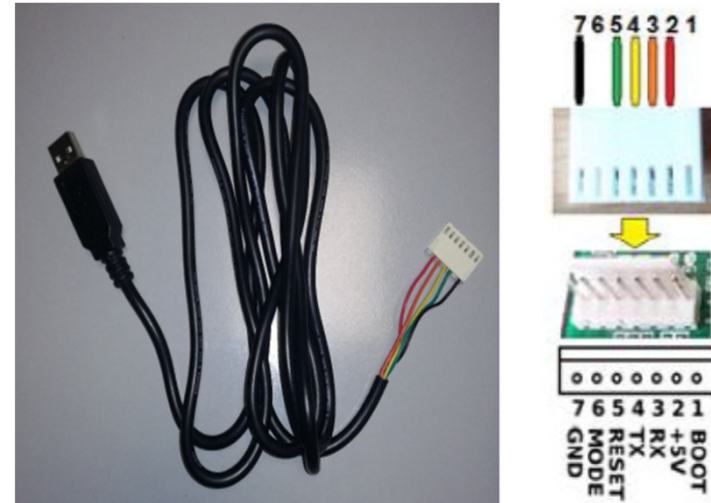


- Cables can only be used with driver code 1431A5.
- On request they can be supplied for the driver code 1431A8 and for the three-phase versions.

Codice	Descrizione
K431A6	CABLE OFF-LINE CONFIG. DRIVER 1F



Codice	Descrizione
K431F7	CABLE OFF-LINE CONFIG. DRIVER 3F



Codice	Descrizione
K431F8	CABLE MODBUS 485-USB DDMP (ONLINE)



TABLE OF CONTENTS	Pagina
• Outlet flanges	2 – 3
• Outlet flexible connections	4 – 5
• Mounting feet kit	6 – 7
• Outlet protection guards	8 – 9
• Inlet protection guards kit – Series DD	10 – 11
• Inlet protection guards kit – Series AT-S, AT-SC, DDM, DDMB, DDME, DDMP	12
• Motor brackets Kit	13
• Fixed pulleys	14
• Variable pulleys	15
• Air flow meter device	16
• Single-phase motor speed regulator	17
• Soft Starter Y/Δ+ Potentiometer 0-10Vdc	18
• DDMP cables	19 – 20
• Table of contents	21